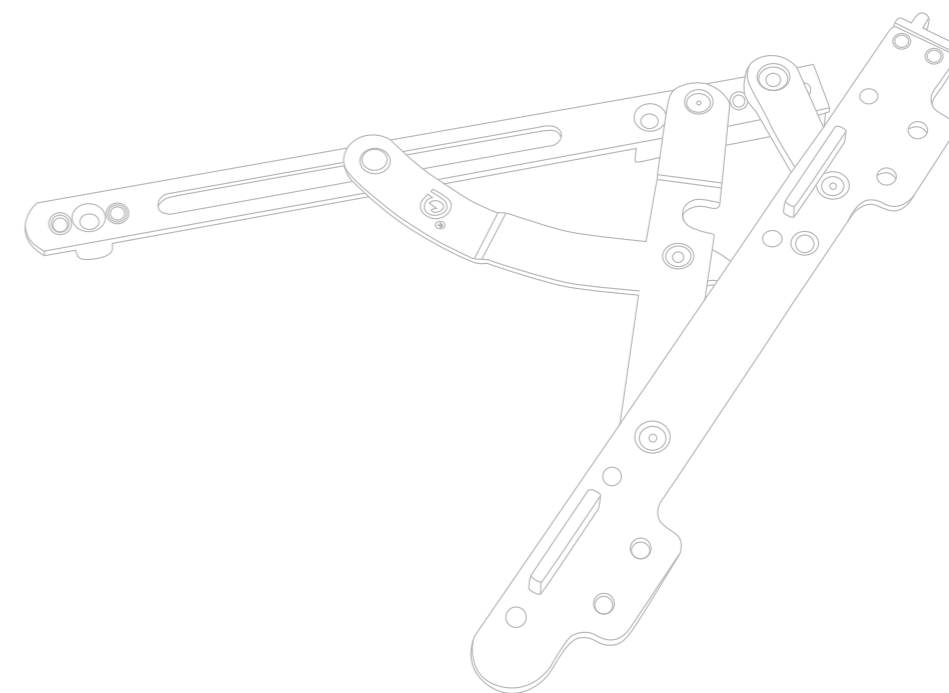


# UPVC

WINDOW & Door Accessories—Classical Style  
塑料门窗五金典型产品目录



塑料门窗五金典型产品目录 2019 Version 1

为建筑创造价值  
Create Value For Construction



广东合和建筑五金制品有限公司

Guangdong HEHE Construction Hardware Manufacturing Co.,Ltd

地址: 中国广东佛山市三水区云东海街道永业路1号

ADD: NO.1 Yongye Rd,Yundonghai Street,Sanshui District,Foshan,Guangdong China

电话 (Tel): 86-757-87310888 传真 (Fax): 86-757-87318666

邮编 (Post Code): 528100 P.R.CHINA

网址 (Website): www.ss-hehe.com 邮箱 (E-mail): master@ss-hehe.com





## 公司介绍

广东合和建筑五金制品有限公司，中国现代化门窗幕墙建筑五金生产企业，全面通过和推行ISO9001、ISO14001、OHSAS18001、TS16949认证体系管理标准，拥有铝合金门窗五金、塑料门窗五金、实木门窗五金、家居门窗五金、幕墙门控五金和门窗密封胶条等产品系统大型生产基地。

公司创建于1981年，位于珠三角腹地佛山市三水区云东海街道，拥有省级工程技术研究中心、高新技术企业及国家认可实验室，具备自主产品研发和大规模化生产能力，是国内同时拥有门窗建筑五金及密封胶条双重研发与生产能力的新型现代化企业之一。

合和全国各地均设有销售服务机构，销售网络覆盖各省、直辖市、自治区和特别行政区，并远销100多个国家和地区，被称为“行业技术动态的风向标”。拥有瑞士金马自动涂装线、集成智控大型压铸生产线、智能机器人作业线、进口全自动总装生产线、多条德国克劳斯玛菲橡胶挤出生产线等高端设备，为客户提供高品质产品保障，与国内外众多知名房地产公司成为战略合作伙伴！

合和一直坚持“合作共赢、和谐发展”的经营之道，以创新技术，卓越品质，满分服务，服务于建筑门窗领域，以创新环保合作为原则，将其基于人居环保、节能基础之上的五金产品系统技术应用于门窗，逐步推进产品向标准化、规模化、绿色智能化迈进，建立与塑造深度适应人居建筑环境的高价值产品文化！

为建筑创造价值！

## Company Profile

3H INC., is the modern building hardware manufacturer for door, window, and curtain walls' accessories. The company fully passed and implemented ISO9001, ISO14001, OHSAS18001, TS16949 certification system management standards, and we have a large systematic production base for aluminum alloy door and window hardware, UPVC door and window hardware, solid wood doors and windows hardware, home doors and windows hardware, curtain wall door control hardware and doors and windows sealing strips and other products.

3H INC. is established in 1981, located in Yundonghai Street, Sanshui District, Foshan which is the hinterland of Pearl River Delta. 3H INC. has CNAS lab, and won the title of provincial engineering technology R&D center, national high-tech enterprise. Thus, with independent product development and large-scale production capacity, we are one of the new modern enterprises with both R&D and manufacturing capabilities for door & window hardware products and sealing accessories. So the quality and performance of our products achieve the advanced international level.

3H INC. has sales and service agencies throughout the country, and our sales network covers provinces, municipalities, autonomous regions, and special administrative regions, has exported to more than 100 countries and regions. Obtained more than 300 national patent grants, we are known as the "vane of industry technology trends".

Moreover, 3H INC. has first-class product research and development, process manufacturing data analysis and management system, Switzerland Kinmen and Matsu automatic painting line, integrated intelligent control large-scale die-casting production line, intelligent robot line, import automatic assembly line, several KraussMaffei rubber extrusion production lines and other high-end equipment. Besides, in order to provide customers with high-quality product guarantees, we maintain good and continuous strategic cooperation with more than 200 companies in China's top 500 real estate listings!

We always adhere to the operation principle of "win-win cooperation and harmonious development", and provide innovative technologies, superior quality, and full-service services to the field of doors and windows; based on the principle of innovative environmental protection cooperation, we will base our efforts on environmental protection and energy conservation and let this kind of hardware product system applied to doors and windows. Then, we gradually promote the product to standardization, scale, green and intelligent progress, establish and shape high-value product culture to adapt to the living environment, and strive to do well as below, "Chinese 3H, national brands, leading companies, head to the World"!

Create Value for Construction.

## 企业文化 THE ENTERPRISE CULTURE

### 定位 POSITIONING

以合和品牌引导消费, 以优质服务争取市场。  
To Guide The Consumption And Brand, With Good Service For The Market.

### 理念 CONCEPT

合作共赢, 和谐发展。  
Win-win cooperation and harmonious development.

### 使命 MISSION

为建筑创造价值  
Create Value For Construction





## Create Value For Construction

“为建筑创造价值”用合和产品营造出美观、安全、节能的人居环境，为社会创造价值。

### Contact 合和热线

电话 (Tel): 86-757-87310888  
传真 (Fax): 86-757-87318666  
邮箱: master@ss-hehe.com(China)  
E-mail: export@hehexin.com(Export)  
投诉电话  
86-757-87310888

### Online 合和在线

有关我们产品的更多资料，请访问我们的网站：  
[www.ss-hehe.com](http://www.ss-hehe.com)  
For more detail about our products, please visit our web site: [www.hehexin.com](http://www.hehexin.com)

### Support 技术咨询

电话 (Tel): 86-757-66851274



# 目录 CONTENTS

塑料门窗五金系统与型材尺寸配合图 UPVC window and door systems profile profile configuration	001
PXS01塑料内平开下悬窗五金系统单转角 PXS01 UPVC Tilt-turn Window Hardware System	007
PXS01B系列塑料内平开下悬窗五金系统双转角 PXS01B UPVC Tilt-turn Window Hardware System	009
PXS02系列塑料内平开下悬窗五金系统单转角 PXS02 UPVC Tilt-turn Window Hardware Systema	011
塑料内平开窗微通风五金系统 UPVC Inward Opening Window System	013
塑料内平开耐火窗五金系统 UPVC Inward Opening Fireproof Window Hardware System	015
塑料内平开窗五金系统 UPVC Inward Opening Window System	017
塑料外平开窗五金系统 UPVC Outward Opening Window System	027
塑料外平开窗定点限位五金系统 UPVC Outwards top-hung Window System Accessories	029
塑料外上悬窗五金系统 UPVC Outwards Top-hung Window System Accessories	031
塑料推拉窗五金系统 UPVC Sliding Window System	033
塑料平开门五金系统 UPVC Casement Door System	037
塑料推拉门五金系统 UPVC Sliding Door Hardware System	045
传动器系列 Transmission Device	051

执手系列 Handle Series	065
平开门锁体系列 Casement Door Lock Body Series	083
插销系列 Bolt Series	089
铰链合页系列 Hinge Series	091
中部锁扣 Middle lock buckle	105
安全防脱锁 Anti-off safety lock	106
滑撑+限位撑系列 Friction Stay Series+Stay Arm Series	107
单点锁系列 Open hand in Series	117
月牙锁系列 Crescent Lock Series	121
钩锁系列 Hook Series	125
推拉辅件系列 Other Sliding Accessories	127
滑轮系列 Roller Series	131
锁座系列 Locking Holder Series	148
提升块 Elevating Block	154

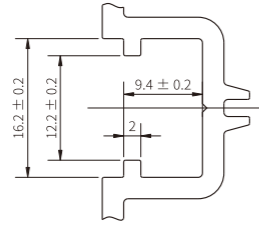
# 塑料门窗五金系统与型材尺寸配合图

## UPVC Window And Door

### Systems Profile Configuration

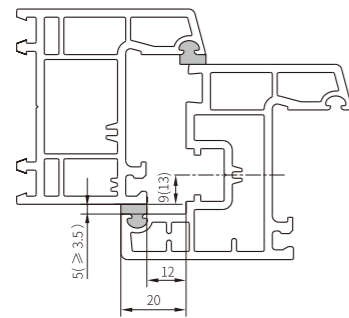
#### ▶ JG/T 176-2015 标准 (Standard)

##### 1. 平开门窗传动锁闭器槽口 (U 槽) 尺寸 Size of the transmission device groove(U groove)

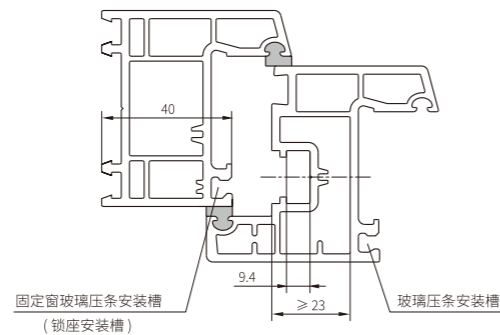


##### 2. 内平开窗型材功能尺寸 Size of inward casement window's profile

###### A. 型材功能尺寸 20/12/9 (13) Size of profile 20/12/9(13)



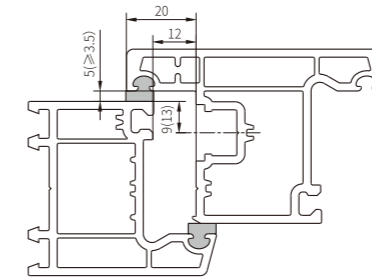
###### B. 各种安装结构尺寸 Size of Installation structure



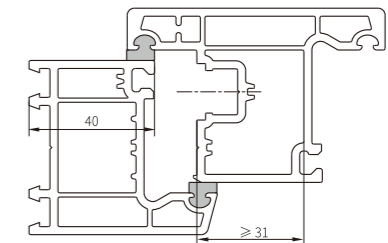
##### 3. 外平开窗型材功能尺寸

##### Size of outward casement window's profile

###### A. 型材功能尺寸 20/12/9 (13) Size of profile 20/12/9(13)



###### B. 各种安装结构尺寸 Size of Installation structure



#### ● 型材功能尺寸说明:

- (20=12+8)12为合页活动空间,8为框扇搭接量。
- 9为9系列,13为13系列。
- 5(≥3.5)为密封胶条压缩密封后的尺寸,也称为合页通道,5(≥3.5)中,5为推荐项。
- 尺寸≥23为内开窗传动锁闭器安装空间,尺寸≥31为外开窗传动锁闭器安装空间。
- 区分内外平开窗的方法:方法a:玻璃压条在室内方向;方法 b:Z型为内平开窗, T型为外平开窗。
- 平开窗型材中内平开窗与外平开窗的框型材相同。

#### ● Instruction for profile's size

- (20=12+8)12 is for the hinge space, 8 is the overlap amount of sash and frame.
- 9 is 9 series. 13 is 13 series.
- 3.5 f(≥3.5) is gasket compressed size, also known as the hinge channel, the size of 5 (≥3.5), 5 s recommended
- Size≥23 is the installation space of transmission device for inward casement window, size ≥31 is the installation space of outward casement window.
- Methods to distinguish the inward and outward casement window.
  - Glazing gasket is in the indoors.
  - Model Z is inward casement window, Model T is outward casement window.
- The profile of the inward and outward casement window is the same.

# 塑料门窗五金系统与型材尺寸配合图

## UPVC Window And Door

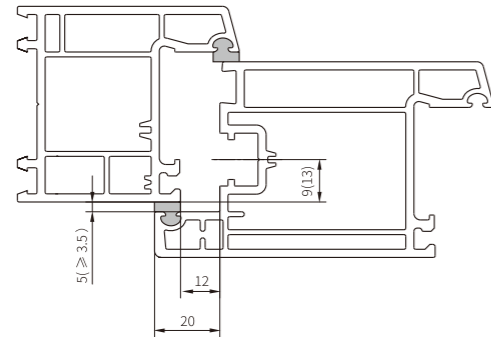
### Systems Profile Configuration

#### ▶ JG/T 176-2015 标准 (Standard)

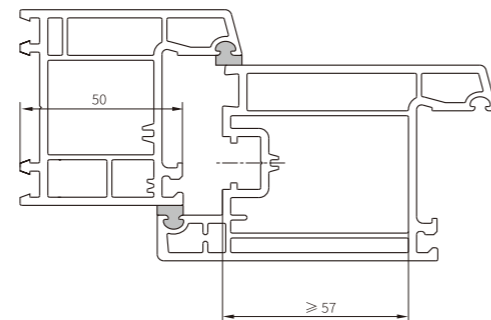
##### 4. 内平开门型材功能尺寸

Size of the inward casement door profile

##### A. 型材功能尺寸 20/12/9 (13) Size of profile 20/12/9 (13)



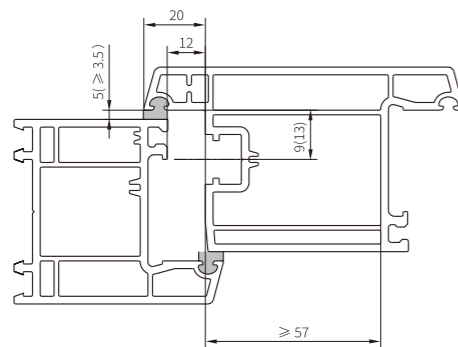
##### B. 各种安装结构尺寸 Size of Installation structure



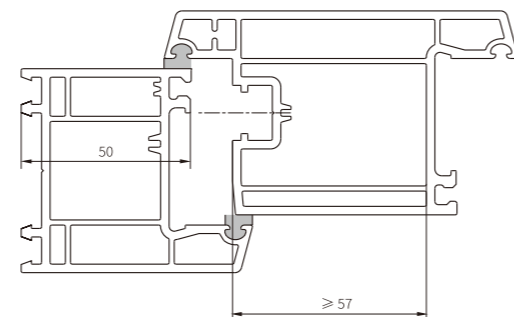
##### 5. 外平开门型材功能尺寸

Size of outward casement door's profile

##### A. 型材功能尺寸 20/12/9 (13) Size of profile 20/12/9 (13)



##### B. 各种安装结构尺寸 Size of Installation structure



#### ● 型材功能尺寸说明:

- (20=12+8)12为合页活动空间,8为框扇搭接量。
- 9为9系列,13为13系列。
- 5(≥3.5)为密封胶条压缩密封后的尺寸,也称为合页通道, 5(≥3.5)中,5为推荐项。
- 尺寸≥57为内开门传动锁闭器安装空间。
- 区分内外平开门的方法:  
方法a:玻璃压条在室内方向;方法b:Z型为内平开门,T型 为外平开门。
- 平开门型材中内外平开门的框料相同,扇料的功能尺寸也 是一样的,只是因开启方向不同玻璃压条的方向不同,导致 了型材形状不同。

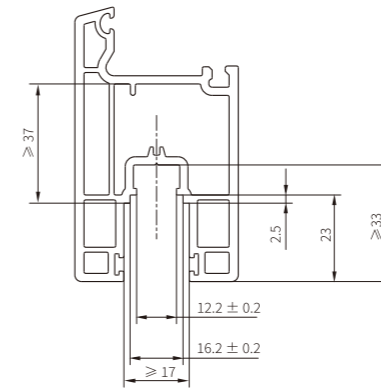
#### ● Instruction for profile's size

- (20=12+8)12 is for the hinge space, 8 is the overlap amount of sash and frame.
- 9 is 9 series, 13 is 13 series.
4. Size ≥57 is the installation space of inward casement door's transmission device.
- 5 f(≥3.5) is gasket compressed size, also known as the hinge channel, the size of (≥3.5), 5 s recommended
- Methods to distinguish the inward and outward casement door.  
A. Glazing gasket is in the indoors.  
B. Model Z is inward casement door, Model T is outward casement door.
- The frame of the inward and outward door is the same. The size of the sashes is also the same, but the shape of profile is different because of the difference of gasket's direction.

#### ▶ JG/T 176-2015 标准 (Standard)

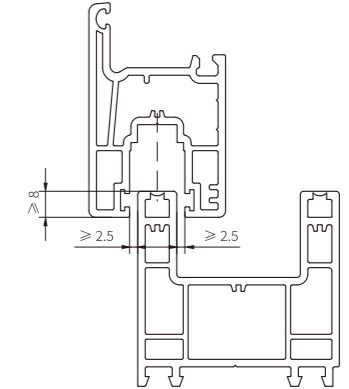
##### 6. 推拉门扇传动锁闭器槽及推拉门滑轮槽口尺寸

Size of slide door's transmission device and roller's groove



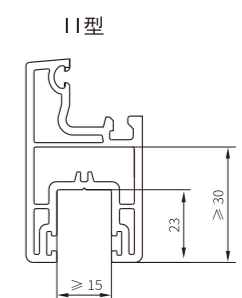
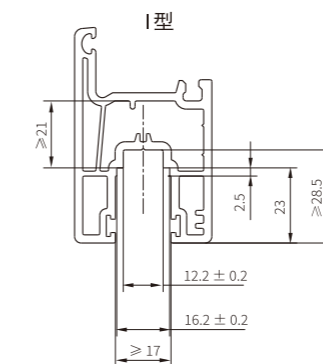
##### 7. 推拉窗型材功能尺寸

Size of sliding window profile



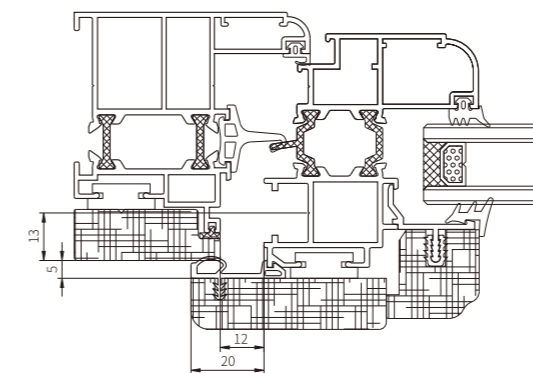
##### 8. 推拉窗扇传动锁闭器槽及推拉窗滑轮槽口尺寸

Size of slide window's transmission device and roller's groove



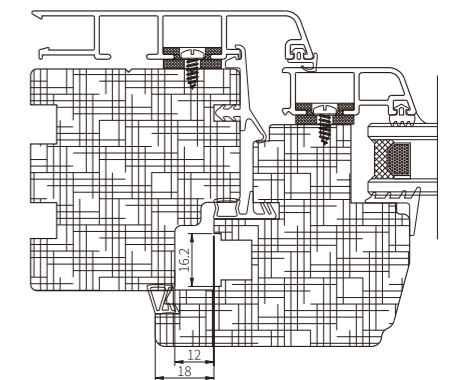
##### 9. 木包铝内平开窗型材功能尺寸

Wooden package aluminum within Casement Windows profile feature size



##### 10. 铝包木内平开窗型材功能尺寸

Aluminum-clad wood within Casement Windows profile feature size





## Hardware System For Tilt-turn Window 建筑窗用内平开下悬五金系统

**定义：**通过操作执手、可以使窗具有内平开、下悬、锁闭等功能的五金系统。

**主要性能指标：**

- 1、执行标准：GB/T24601-2009
- 2、下悬状态的启闭力60kg以上150N，60kg-130kg180N,130kg以上230N。
- 3、反复启闭15000次循环后，所有操作正常。
- 4、执手或操纵装置五金系统的转动力距不大于 $10N \cdot m$ ，施加在执手上的力不大于100N。
- 5、耐腐蚀NSS试验达到96小时，保护等级大于等于8级。

**Definition:**

the window can be inward opened, bottom hung and locked by operating the handle.

**Performance index:**

1. Operating standard: GB/T24601-2009
2. When bottom hung, the hoisting power is 150N, while window weight is more than 60kg; while window weight is 60kg-80kg, 180N; while window weight is more than 130kg, 230N.
3. All function is good After opening and closing 15000 cycles.
4. The pivoting torque of handle and operating control hardware system is not more than  $10N \cdot m$ , the force on handle is not more than 100N.
5. Corrosion resistant NSS test reach 96 hours, the degree of protection is not less than 8 grades.

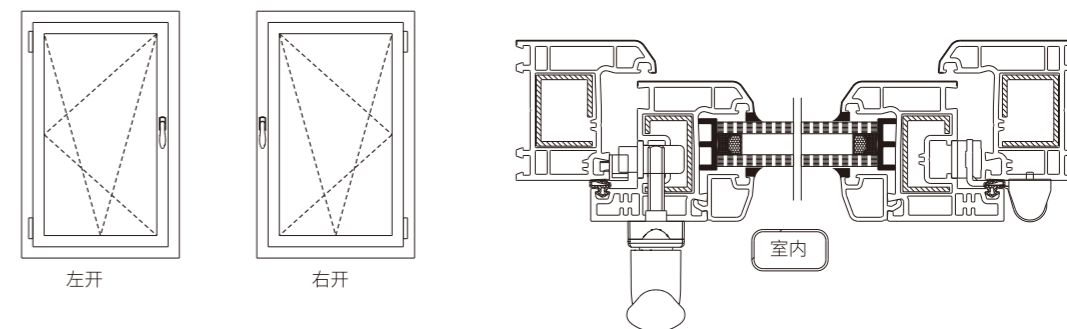
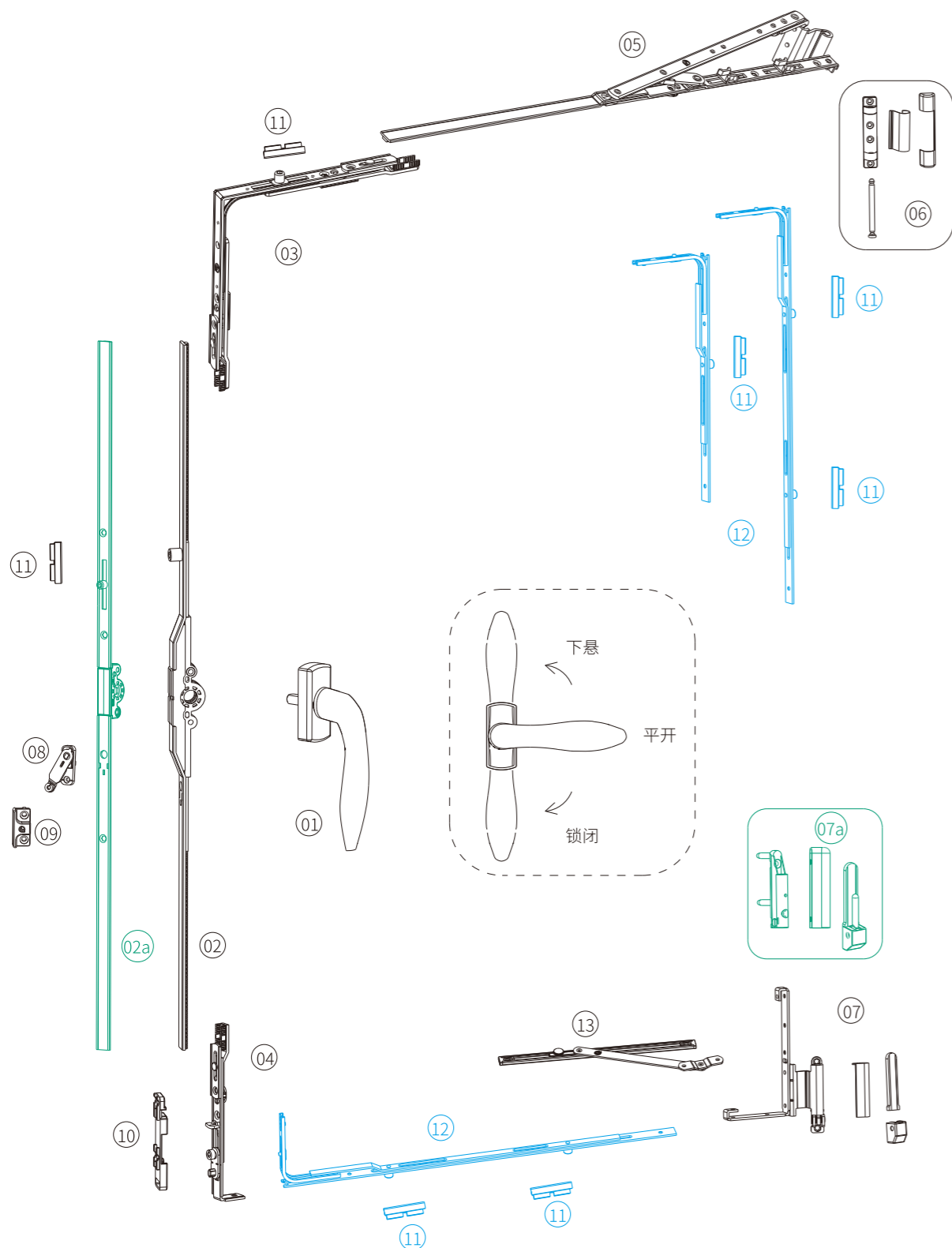


# PXS01塑料内平开下悬窗五金系统单转角

## PXS01 UPVC Tilt-turn Window Hardware System

# 五金系统配置表

## PXS01 UPVC Tilt-turn Window Hardware System



● PXS01 塑料内平开下悬窗五金系统配置表  
PXS01 Series Upvc Tilt-turn window hardware system table

序号 No.	产品名称 Description	产品编号 Code	数量 QTY	备注 Remark
1	方轴执手 square shaft handle	PCZ07	1	执手有多款可供选择, 下单时须注明颜色 Various models of handle can be chosen, the color should be marked while placing order.
2	传动锁闭器 transmission device	PX.CQ1006	1	无锁点 No lock point  中心距: 7.5mm, 根据实际扇槽高选择规格 Center Distance 7.5mm The specification is base on the frame height
		PX.CQ1008		
		PX.CQ1010		
		PX.CQ1012		
		PX.CQ1014		两锁点 Linked lock point
3	转角器 corner device	PX.ZJQ01	1	
4	翻转插件 overturn plugin	PX.FC01	1	
5	下悬部件 tilt-turn component	PX.X9-500	1	分左右, 根据实际扇槽宽选择规格 Left and right version The specification should be chosen as per the width of sash.
		PX.X9-750		
		PX.X9-860		
6	上铰链 Upper hinge	PX.JCS	1	装饰罩下单时须注明颜色 The color of the decorative cover should be marked while placing order.
7	下铰链 Bottom hinge	PX.JCX	1	分左右, 装饰罩下单时须注明颜色 Left and right version
8	防误器 error prevention device	PX.FW01	1	分左右 Left and right version
9	防误器座 error prevention device holder	PX.WZS09	1	
10	翻转锁座 overturn lock holder	PX.FZ9	1	分左右 Left and right version
11	锁座 lock holder	PX.SZ9	1	锁座数量根据实际锁点数 The quantity of the striker is chosen as per the quantity of the locking point.
		PX.LG01-215		
		PX.LG01-530		
		PX.LG01-730		
12	转角连杆 corner connecting rod	PX.LG01-215	1	根据实际扇槽高选择规格 The specification is base on the groove height
		PX.LG01-530		
		PX.LG01-730		
13	限位撑 Limiter Stay	PDE B	1	10~14寸 10~14"
02a	传动锁闭器 Transmission Device	PX.CQ15	1	中心距: 15mm, 根据实际扇槽高选择规格 Center Distance 15mm, The specification is base on the frame height
07a	下铰链 Bottom Hinge	PJCX03B	1	装饰罩下单时须注明颜色 The decoration cover need be marked what is color

- 内平开下悬五金系统配置说明: [图中蓝色为选装项, 绿色为可选项]
- 上述配置适用于 JG/T176-2015 标准型材。
- 上述配置适用于 9 系列型材, 另有【PXS02】13 系列型材五金系统配置。
- 上述配置系统适用于窗扇槽口高 550mm-1700mm、扇槽口宽 300mm-1000mm 的窗型。
- 建议窗型宽高比为 1:1.5。
- 以上五金系统仅供参考, 具体请提供相关资料咨询公司技术部门。

- Configuration Instruction : [The blue and green font parts are options]
- This configuration is suitable for the JG/T176-2015 standard profile.
- The above configuration is used for 9 series profiles. Besides [PXS02] 13 series profiles hardware system configuration is supplied.
- The configuration system is suitable for the window with 550mm-1700mm height, 300 mm-1000mm width. The recommended window aspect ratio is 1: 1.5.
- The hardware accessories in blue of this configuration Optional accessories
- The above hardware system is for reference only, please consult the company's technical department.

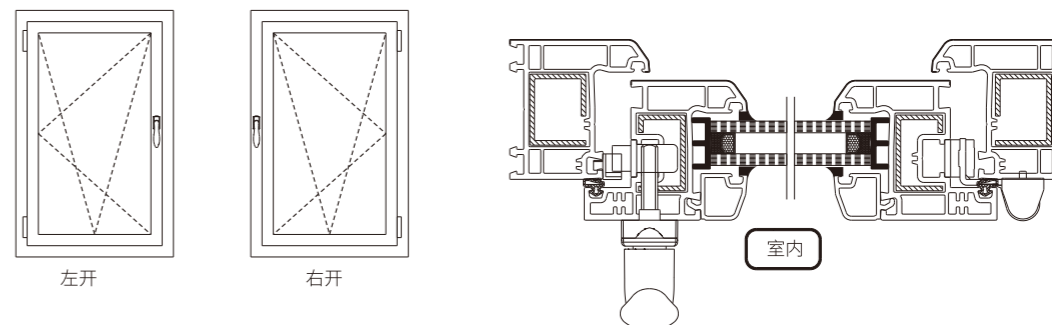
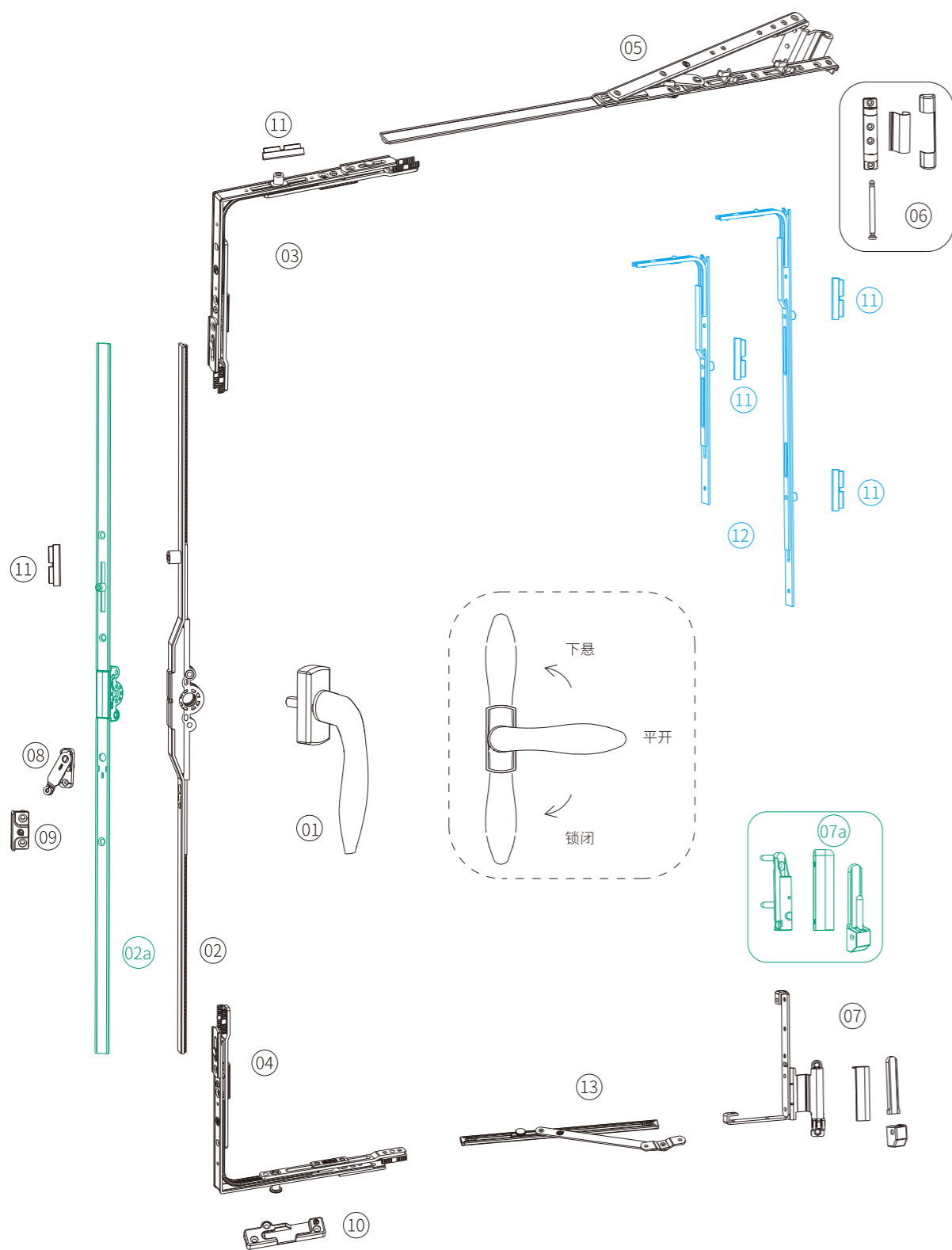
# PXS01B系列塑料内平开下悬窗五金系统双转角

## PXS01B UPVC Tilt-turn

Window Hardware System

# 五金系统配置表

## PXS01 UPVC Tilt-turn Window Hardware System



● PXS01B 塑料内平开下悬窗五金系统配置表  
PXS01B Series Upvc Tilt-turn window hardware system table

序号 No.	产品名称 Description	产品编号 Code	数量 QTY	备注 Remark	
1	方轴执手 square shaft handle	PCZ07	1	执手有多款可供选择, 下单时须注明颜色 Various models of handle can be chosen, the color should be marked while placing order.	
2	传动锁闭器 transmission device	PX.CQ1006	1	无锁点 No lock Point	
		PX.CQ1008		中心距: 7.5mm, 根据实际扇槽高选择规格 Center Distance 7.5mm The specification is base on the frame height	
		PX.CQ1010			一个锁点 One lock point
		PX.CQ1012			两个锁点 Linked lock point
PX.CQ1014					
3	转角器 corner device	PX.ZJQ01	1		
4	转角器 corner device	PX.ZJQ02	1		
5	下悬部件 tilt-turn component	PX.X9-500	1	分左右, 根据实际扇槽宽选择规格 Left and right version The specification should be chosen as per the width of sash.	
		PX.X9-750	1		
		PX.X9-860	1		
6	上铰链 Upper hinge	PX.JCS	1	装饰罩下单时须注明颜色 The color of the decorative cover should be marked while placing order.	
7	下铰链 Bottom hinge	PX.JCX	1	分左右, 装饰罩下单时须注明颜色 The color of the decorative cover should be marked while placing order.	
8	防误器 error prevention device	PX.FW01	1	分左右 Left and right version	
9	防误器座 error prevention device holder	PX.WZS09	1		
10	下翻转锁座 overturn lock holder	PX.XFZ9	1	分左右 Left and right version	
11	锁座 lock holder	PX.SZ9	1	锁座数量根据实际锁点数 The quantity of the striker is chosen as per the quantity of the locking point.	
		PX.LG01-215	1	根据实际扇槽高选择规格 Specification is base on the groove height	
		PX.LG01-530	1		
		PX.LG01-730	1		
12	转角连杆 corner connecting rod				
13	限位撑 Limiter Stay	PDE B	1	10~14 寸 10~14'	
02a	传动锁闭器 Transmission Device	PX.CQ15	1	中心距: 15mm, 根据实际扇槽高选择规格 Center Distance 15mm, The specification is base on the frame height	
07a	下铰链 Bottom Hinge	PJCX03B	1	装饰罩下单时须注明颜色 The decoration cover need be marked what is color	

● 内平开下悬五金系统配置说明: [图中蓝色为选装项, 绿色为可选项]

- 上述配置适用于 JG/T176-2015 标准型材。
- 上述配置适用于 9 系列型材, 另有【PXS02】13 系列型材五金系统配置。
- 上述配置系统适用于窗扇槽口高 550mm-1700mm、扇槽口宽 300mm-1000mm 的窗型。
- 建议窗型宽高比为 1:1.5。
- 以上五金系统仅供参考, 具体请提供相关资料咨询公司技术部门。

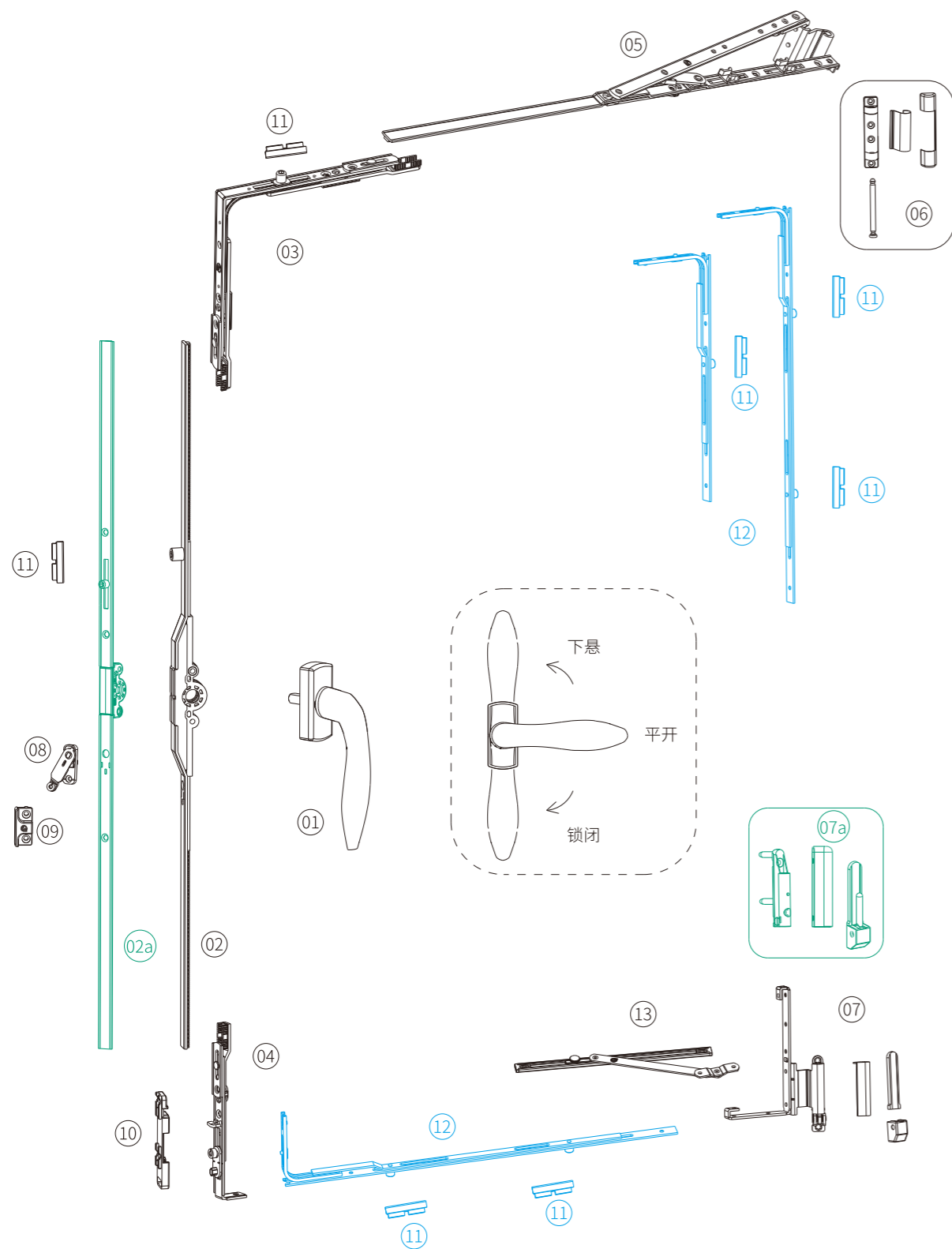
● Configuration Instruction : [The blue and green font parts are options]

- This configuration is suitable for the JG/T176-2015 standard profile.
- The above configuration is used for 9 series profiles. Besides [PXS02] 13 series profiles hardware system configuration is supplied.
- The configuration system is suitable for the window with 550mm-1700mm height, 300 mm-1000mm width. The recommended window aspect ratio is 1: 1.5.
- The hardware accessories in blue of this configuration Optional accessories
- The above hardware system is for reference only, please consult the company's technical department.

# PXS02系列塑料内平开下悬窗五金系统单转角

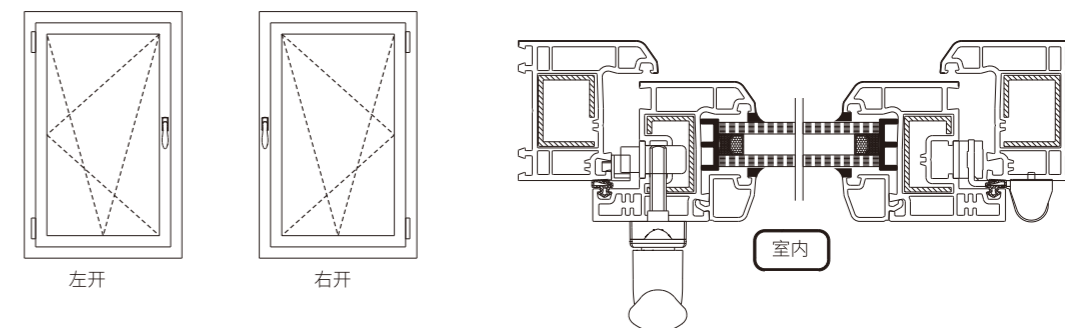
## PXS02 UPVC Tilt-turn

Window Hardware System



# 五金系统配置表

## PXS01 UPVC Tilt-turn Window Hardware System



### ● PXS02 塑料内平开下悬窗五金系统配置表

PXS02 Series Upvc Tilt-turn window hardware system table

序号 No.	产品名称 Description	产品编号 Code	数量 QTY	备注 Remark	
1	方轴执手 square shaft handle	PCZ07	1	执手有多款可供选择, 下单时请注明颜色 Various models of handle can be chosen, the color should be marked while placing order.	
2	传动锁闭器 transmission device	PX.CQ1006	1	无锁点 No lock point	
		PX.CQ1008		中心距: 7.5mm, 根据实际扇槽高选择规格 Center Distance 7.5mm The specification is base on the frame height	
		PX.CQ1010			一个锁点 One lock point
		PX.CQ1012			两个锁点 Linked lock point
PX.CQ1014					
3	转角器 Corner device	PX.ZJQ01	1		
4	翻转插件 Overturn fitting	PX.FC01	1		
5	下悬部件 Tilt-turn component	PX.X13-500	1	分左右, 根据实际扇槽宽选择规格 Left and right version The specification should be chosen as per the width of sash.	
		PX.X13-750	1		
		PX.X13-860	1		
6	上铰链 Upper hinge	PX.JCS	1	装饰罩下单时请注明颜色 The decoration cover need be marked what is color	
7	下铰链 Bottom hinge	PX.JCX	1	分左右, 装饰罩下单时请注明颜色 The color of the decorative cover should be marked while placing order.	
8	防误器 Error prevention device	PX.FW01	1	分左右 Left and right version	
9	防误器座 error prevention device holder	PX.WZS13	1		
10	翻转锁座 Overturn lock holder	PX.FZ13	1	分左右 Left and right version	
11	锁座 lock holder	PX.SZ13	1	锁座数量根据实际锁点数 The quantity of the striker is chosen as per the quantity of the locking point.	
				根据实际扇槽高选择规格 Specification is base on the groove height	
12	转角连杆 corner connecting rod	PX.LG01-215	1	一个锁点 one lock point	
		PX.LG01-530	1	一个锁点 one lock point	
		PX.LG01-730	1	两个锁点 linked lock point	
13	限位撑 Limit supports	PDE B	1	10~14寸 10~14'	
02a	传动锁闭器 The transmission lock	PX.CQ15	1	中心距: 15mm, 根据实际扇槽高选择规格 Center Distance 15mm, The specification is base on the frame height	
07a	下铰链 Bottom hinge	PJCX03B	1	装饰罩下单时请注明颜色 The decoration cover need be marked what is color	

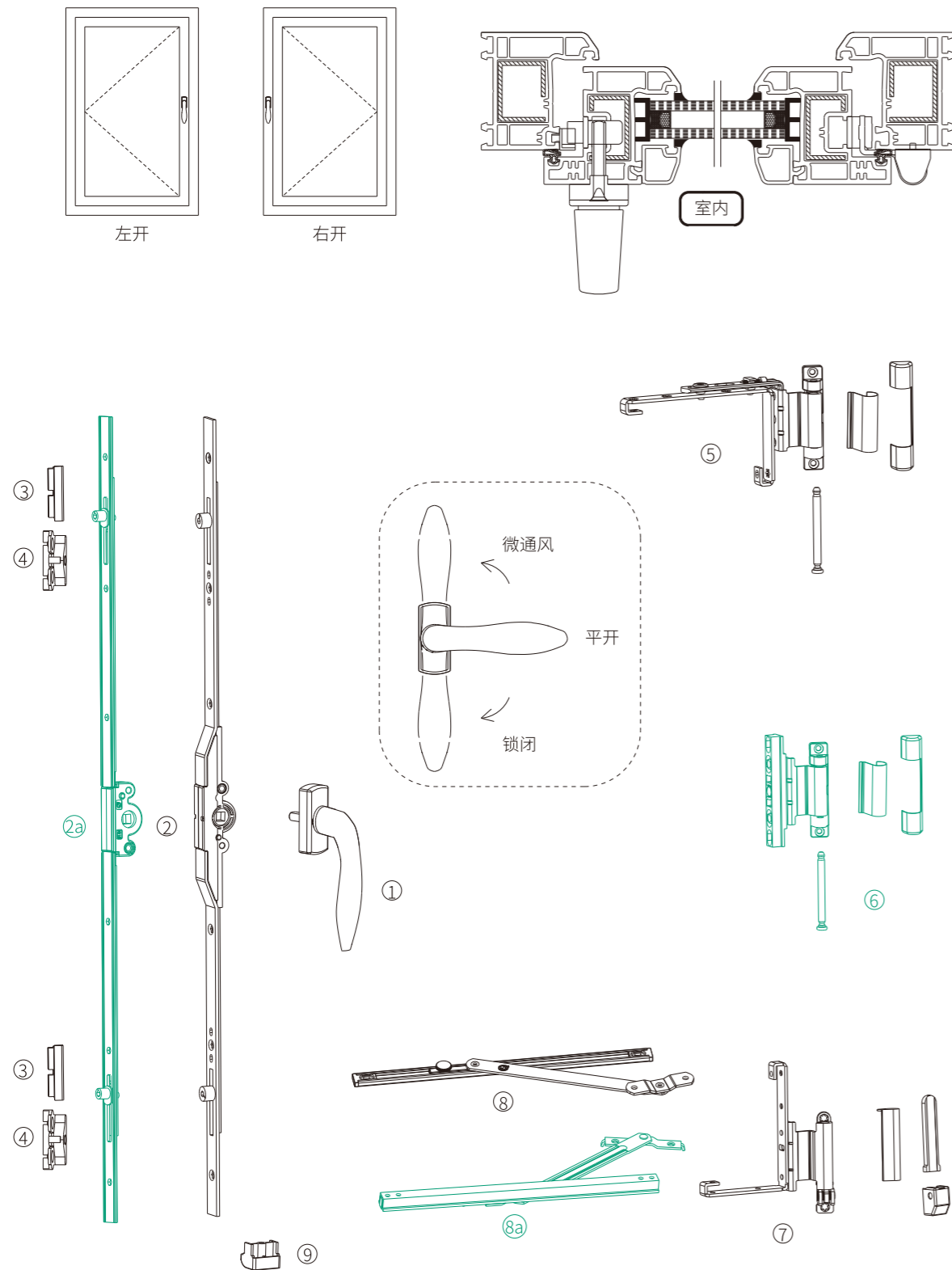
#### ● 内平开下悬五金系统配置说明: [图中蓝色为选装项, 绿色为可选项]

- 上述配置适用于 JG/T176-2015 标准型材。
- 上述配置适用于 13 系列型材, 另有【PXS01】9 系列型材五金系统配置。
- 上述配置系统适用于窗扇槽口高 550mm-1700mm、扇槽口宽 300mm-1000mm 的窗型。
- 建议窗型宽高比为 1:1.5。
- 以上五金系统仅供参考, 具体请提供相关资料咨询公司技术部门。

#### ● Configuration Instruction : [The blue and green font parts are options]

- This configuration is suitable for the JG/T176-2015 standard profile.
- The above configuration is used for 13 series profiles. Besides [PXS01] 9 series profiles hardware system configuration is supplied.
- The configuration system is suitable for the window with 550mm-1700mm height, 300 mm-1000mm width. The recommended window aspect ratio is 1:1.5.
- The hardware accessories in blue of this configuration Optional accessories
- The above hardware system is for reference only, please consult the company's technical department.

# 塑料内平开窗微通风五金系统 UPVC Inward Opening Window System



## ● 内平开窗微通风五金系统配置表 The System Accessories of inwards casement micro ventilation window

序号 No.	产品名称 Description	产品编号 Code	数量 QTY	规格 Specifications	备注 Remark
1	方轴执手 square shaft handle	PCZ07	1	标配方轴长度 30mm, 安装螺丝 M5*40mm Standard square shaft length:30mm, the screw:M5*40mm	
2	传动锁闭器 (内开微通风) transmission device	PCQ1004.400.2	1	400	中心距: 7.5mm Center Distance 7.5mm
		PCQ1004.600.2	1	600	
		PCQ1004.800.2	1	800	
		PCQ1004.1000.2	1	1000	
		PCQ1004.1200.3	1	1200	
3	锁座 Lock Holder	PCSK09	数量根据实际锁点数 The center distance	9 系列 9 Series	
5	上部铰链 Upper Hinge	PJCS03R/L	1	9 系列窗扇高 ≥ 1000mm 时配置中部铰链 9 Series when the window frame is ≥ 1000mm, the middle hinge is required	
6	中部铰链 Middle Hinge	PJCZ03	1		
7	下部铰链 Bottom Hinge	PJCX03R/L	1		
8	限位撑 Limiter Stay	PDE B	1	10~14	
9	提升块 Elevator Block	PFT03	1		
8a	限位撑 Limiter Stay	PDL	1	08~10	备选项 The optional parts
2a	传动锁闭器 (内开微通风) overturn lock holder	PCQ1502.400.2	1	400	备选项 中心距: 15mm The optional parts, center distance:15mm
		PCQ1502.600.2	1	600	
		PCQ1502.800.2	1	800	
		PCQ1502.1000.2	1	1000	
		PCQ1502.1200.3	1	1200	
		PCQ1502.1400.3	1	1400	

### ● 内平开窗配置说明: [图中绿色为可选项]

- 本配置最大承重 60kg, 承重取决于铰链, 有多款可供选择。可参考铰链 / 合页系列。
- 执手有多款可供选择, 具体参数见后页执手系列。
- 上述配置表内为使用于 9 系列型材, 另有 13 系列型材使用的配置。
- 以上配置仅供参考, 具体请提供相关资料于公司配置。

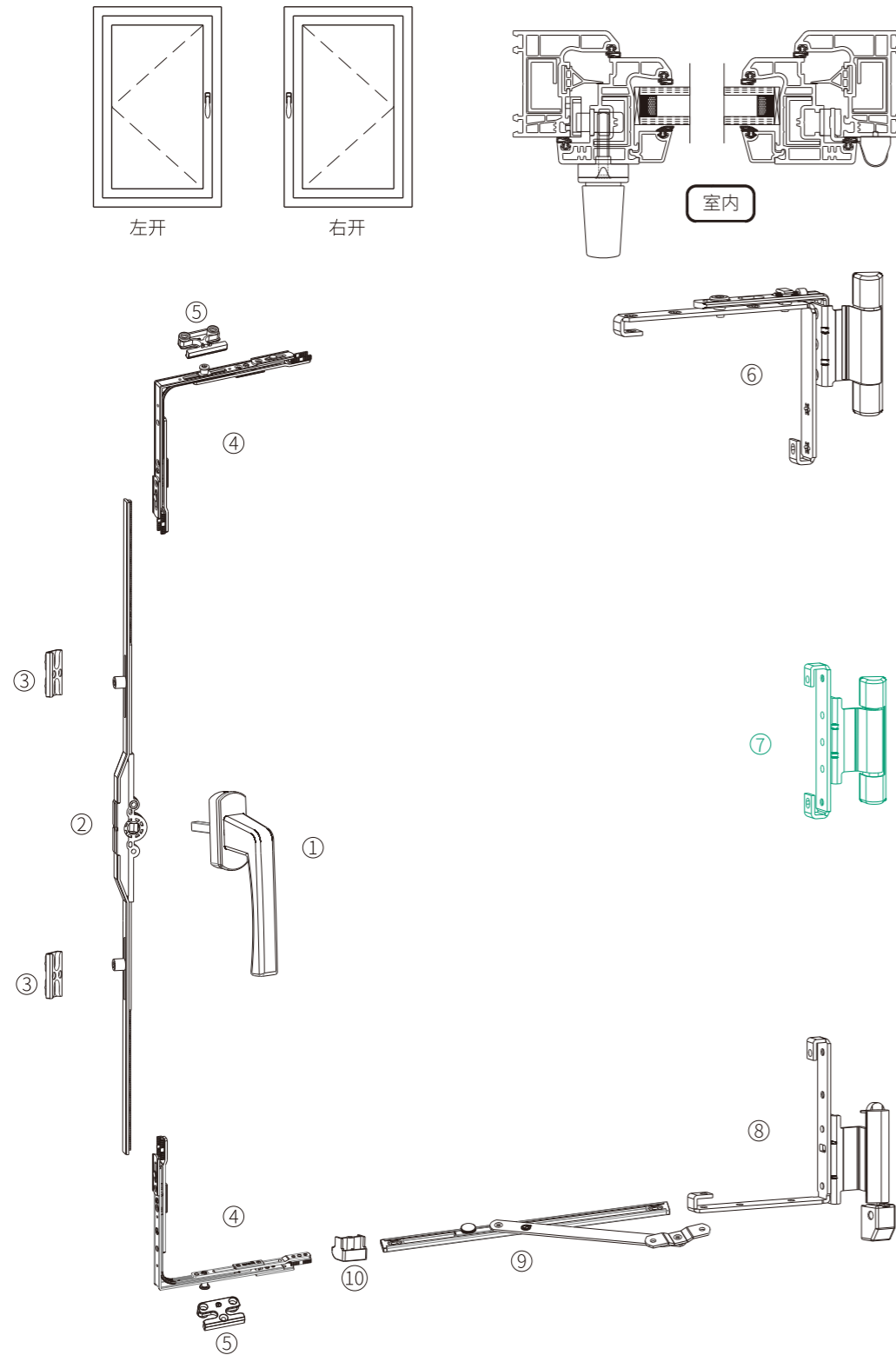
### ● Configuration Instruction : [The green font parts are options]

- The set accessoires Max Loding:60KG, which depends on the hinges, the more optional for selection, refer to the Hinges Series.
- There are more optional handles, please refer to the Handle Series.
- The above accessories is suit for the 9 series profiles, the 13 series profile, please refer to others.
- The above accessories is just for reference, Consultes with our technical Depart to check your files.



# 塑料内平开耐火窗五金系统

## UPVC Inward Opening Fireproof Window Hardware System



### 内平开耐火窗五金系统配置表

Inward Opening Fireproof Window Hardware System Configuration

序号 No.	产品名称 Description	产品编号 Code	数量 QTY	规格 Specifications	备注 Remark
1	方轴执手 square shaft handle	PCZ04	1		标配方轴长度 34mm, 安装螺丝 M5*45mm Standard square shaft length:34mm, the screw:M5*45mm
2	传动锁闭器 (内开) Transmission device	PCQ1008.800.2	1	400	中心距: 7.5mm Center Distance 7.5mm
		PCQ1008.1200.2	1	600	
3	耐火锁座 Fireproof striker	PCSK12	2		13 系列 13 Series
4	转角器 Corner device	PX.ZJQ02	2		
5	耐火锁座 Fireproof striker	PCSK15	2		13 系列 13 Series
6	上部铰链 Upper Hinge	PJMS03CR/L	1		13 系列窗扇高 ≥ 1000mm 时配置中部铰链 13 Series when the window frame is ≥ 1000mm, the middle hinge is required
7	中部铰链 Middle Hinge	PJMZ03C	1		
8	下部铰链 Bottom Hinge	PJMX03CR/L	1		
9	限位撑 Limiter Stay	PDE B	1	10~14	
10	提升块 Elevator Block	PFT03	1		

#### 内平开耐火窗五金配置说明: 适用窗扇槽高700mm-1500mm

- 本配置最大承重60kg。
- 执手有多款可供选择, 具体参数见后页执手系列。
- 上述配置表内为使用于13系列型材, 另有9系列型材使用的配置。
- 以上配置仅供参考, 具体请提供相关资料于公司配置。

#### Inward opening fireproof window hardware configuration instruction

- The set accessoires Max Loding:60KG.
- There are more optional handles, please refer to the Handle Series.
- The above accessories is suit for the 13 series profiles.the13 series profile, please refer to others.
- The above accessories is just for reference.Comsultes with our technical Depart to check your files.

可选配执手 Optional Handle

PCZ12 方轴执手



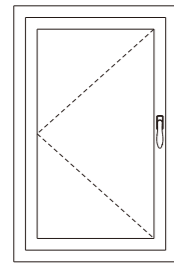
可选配执手 Optional Handle

PCZ01B 方轴执手

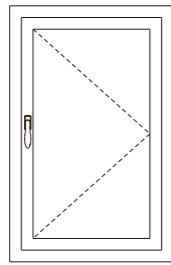


# 塑料内平开窗五金系统

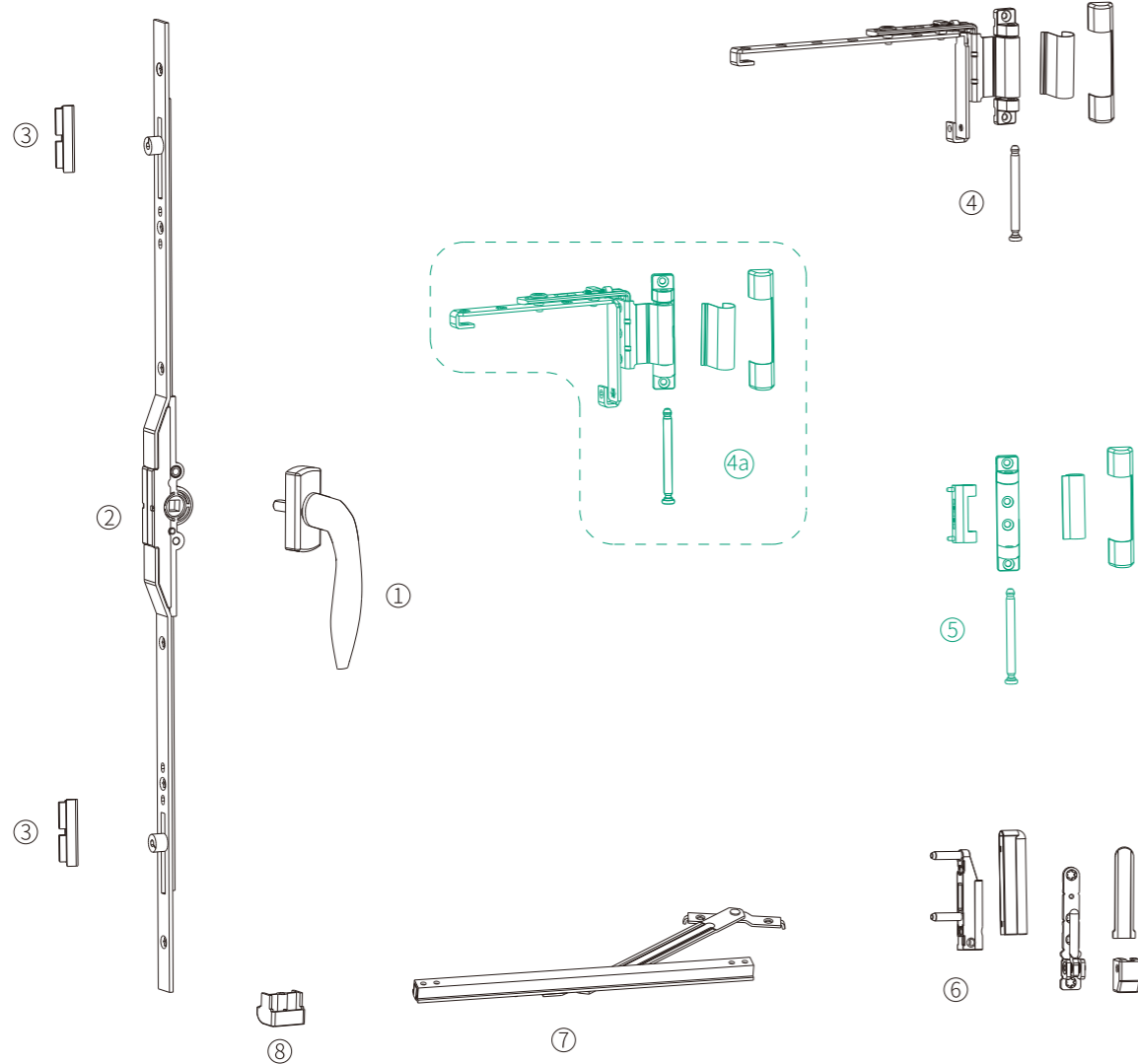
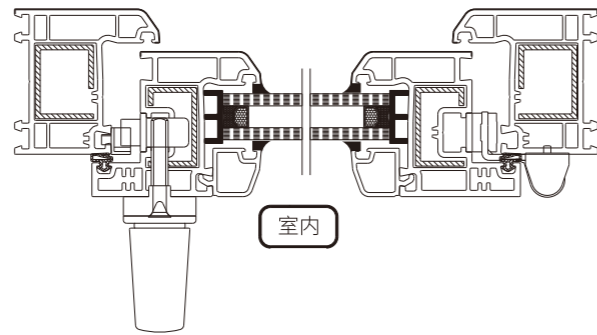
## UPVC Inward Opening Window System



左开



右开



### 内平开窗五金系统配置表

Inward Opening window hardware system table

序号 No.	产品名称 Description	产品编号 Code	数量 QTY	规格 Specifications	备注 Remark
1	方轴执手 square shaft handle	PCZ07	1		标配方轴长度 30mm，安装螺丝 M5*40mm Standard square shaft length:30mm, the screw:M5*40mm
2	传动锁闭器 (内开) transmission device	PCQ1003.400.2	1	400	中心距: 7.5mm/15mm/20mm/22.5mm。 Center Distance 7.5mm/15mm/20mm/22.5mm。
		PCQ1003.600.2	1	600	
		PCQ1003.800.2	1	800	
		PCQ1003.1000.2	1	1000	
		PCQ1003.1200.3	1	1200	
		PCQ1003.1400.3	1	1400	
3	锁座 lock holder	PCSK09	数量根据实际锁点数 According to the actual locking points		9 系列 9 Series
4	上部角铰链 Upper Hinge	PJCS03R/L	1		9 系列窗扇高 ≥ 1000mm 时配置中部铰链 9 Series when the window frame is ≥ 1000mm, the middle hinge is required
5	中部铰链 Middle Hinge	PJZ01B	1		
6	下部角铰链 Bottom Hinge	PJCS03B	1		
7	限位撑 Limiter Stay	PDL	1	08~10	
8	提升块 Elevator Block	PFT03	1		
4a	上部角铰链 Upper Hinge	PJCS03AR/L	1		备选项 According to

#### 内平开窗配置说明: [图中绿色为可选项]

- 本配置最大承重 60kg，承重取决于铰链，有多款可供选择。可参考铰链 / 合页系列。
- 执手有多款可供选择，具体参数见后页执手系列。
- 上述配置表内为使用于 9 系列型材，另有 13 系列型材使用的配置。上部角铰链须区分左右及系列。
- 以上配置仅供参考，具体请提供相关资料于公司配置。

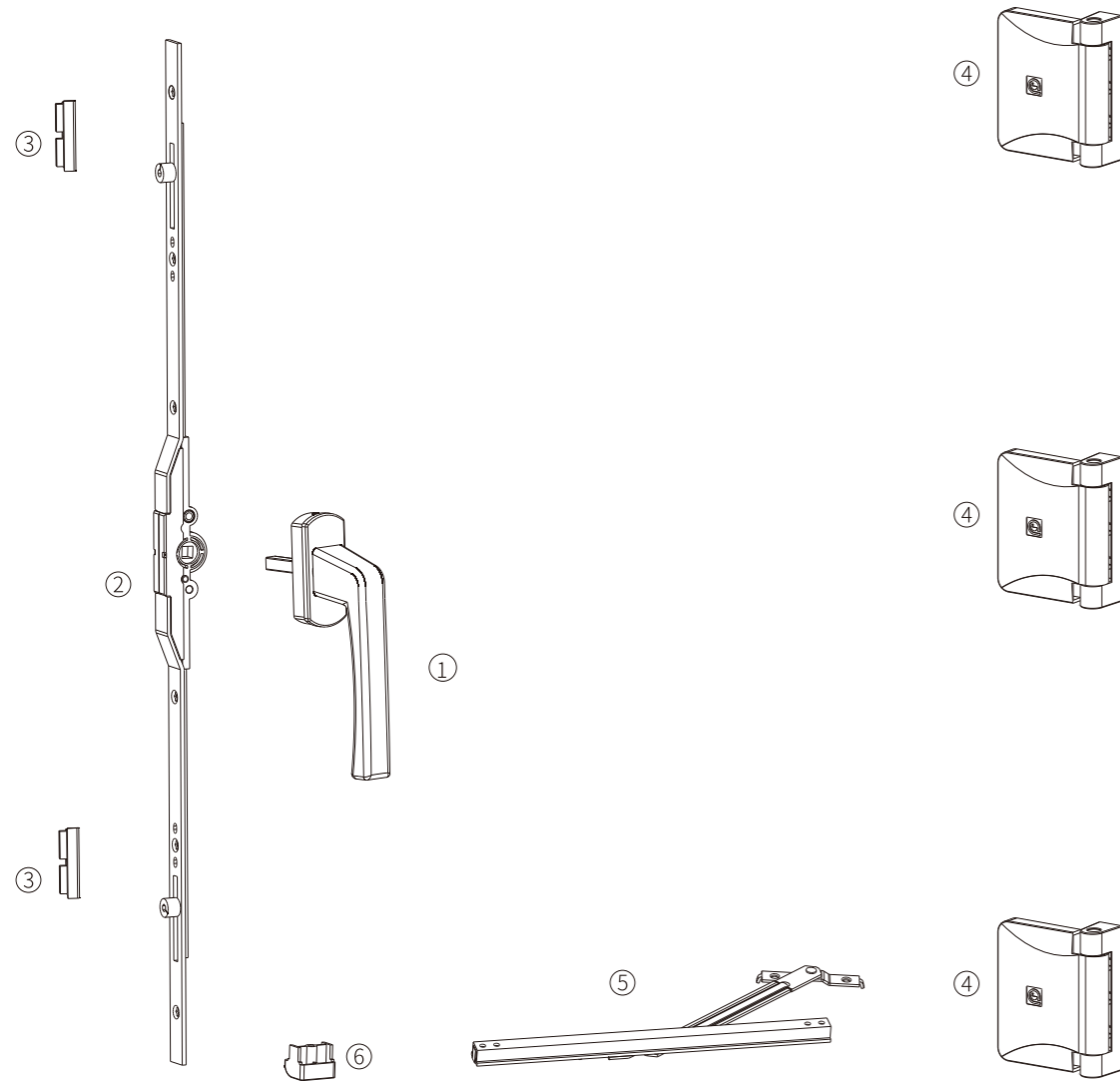
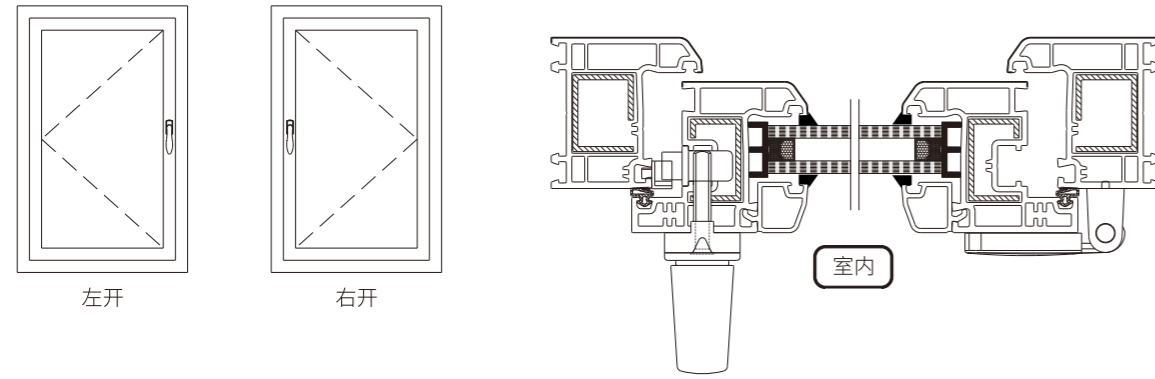
#### Configuration Instruction : [The green font parts are options]

- The set accessoires Max Loding:60KG,which depends on the hinges,the more optional for selection.refer to the Hinges Series.
- There are more optional handles,please refer to the Handle Series.
- The above accessories is suit for the 9 series profiles,the13 series profile,please refer to others.
- The above accessories is just for reference.Comsultes with our technical Depart to check your files.



# 塑料内平开窗五金系统

## UPVC Inward Opening Window System



### 内平开窗五金系统配置表

Inward Opening window hardware system table

序号 No.	产品名称 Description	产品编号 Code	数量 QTY	规格 Specifications	备注 Remark
1	方轴执手 square shaft handle	PCZ04	1	标配方轴长度 34mm, 安装螺丝 M5*40mm Standard square shaft length:34mm, the screw:M5*40mm	
2	传动锁闭器 (内开) transmission device	PCQ1001.400.2	1	400	
		PCQ1001.600.2	1	600	
		PCQ1001.800.2	1	800	
		PCQ1001.1000.2	1	1000	
		PCQ1001.1200.3	1	1200	
3	锁座 lock holder	PCSK01B	数量根据实际锁点数 According to the actual locking points		9 系列 9 Series
4	板式合页 Hinge	PJH20A	3		
5	限位撑 Limiter Stay	PDL	1	08~10	
6	提升块 Elevator Block	PFT03	1		

#### 内平开窗配置说明:

- 本配置最大承重 60kg, 承重取决于合页, 有多款可供选择. 可参考铰链 / 合页系列。
- 执手有多款可供选择, 具体参数见后页执手系列。
- 上述配置中合页使用时, 建议窗槽口高度  $\geq 1000\text{mm}$ , 配用 3 只。
- 以上配置仅供参考, 具体请提供相关资料于公司配置。

#### Configuration Instruction:

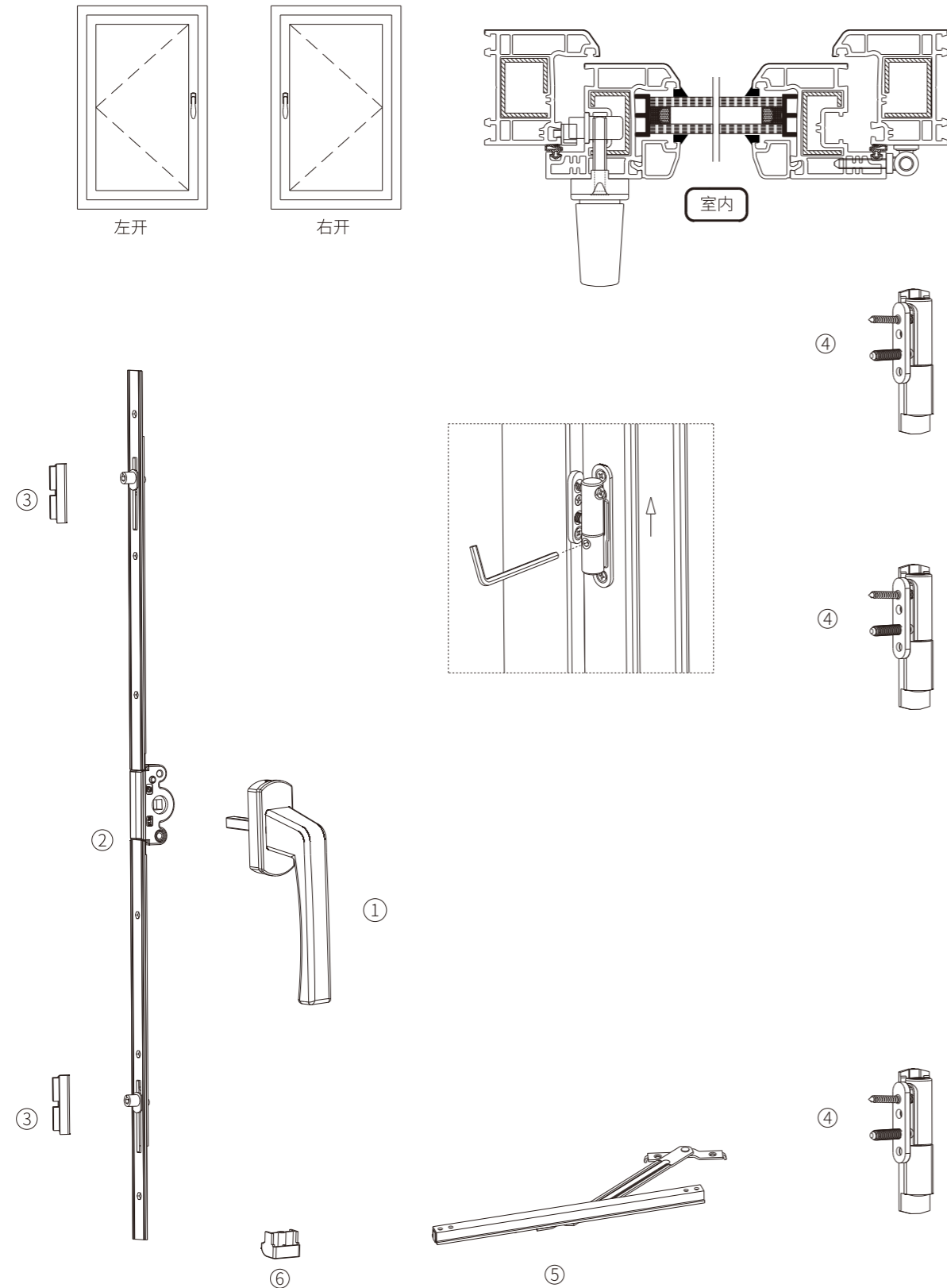
- The set accessories Max Loading:60KG, which depends on the hinges, there are more optional, please refer to the Hinges Series.
- There are more optional handles, please refer to the Handle Series.
- For the hinges, it's suggest to use 3 pcs hinges, when the window height is  $\geq 1000\text{mm}$ .
- The above accessories is just for reference, consult with our technical departs to check your files.



# 塑料内平开窗五金系统

## UPVC Inward Opening Window System

Window System



### ● 内平开窗五金系统配置表

Inward Opening window hardware system table

序号 No.	产品名称 Description	产品编号 Code	数量 QTY	规格 Specifications	备注 Remark
1	方轴执手 square shaft handle	PCZ04	1	标配方轴长度 34mm, 安装螺丝 M5*40mm Standard square shaft length:34mm, the screw:M5*40mm	
2	传动锁闭器 (内开) transmission device	PCQ1501.400.2	1	400	中心距: 15mm Center distance:15mm
		PCQ1501.600.2	1	600	
		PCQ1501.800.2	1	800	
		PCQ1501.1000.2	1	1000	
		PCQ1501.1200.3	1	1200	
3	锁座 lock holder	PCSK01B	数量根据实际锁点数 According to the actual locking points		9 系列 9 Series
4	插轴合页 Inserted hinge	PJH04A	3		
5	限位撑 Limiter Stay	PDL	1	08~10	
6	提升块 Elevator Block	PFT03	1		

#### ● 内平开窗配置说明:

- 本配置最大承重60kg, 承重取决于铰链, 有多款可供选择。可参考铰链/合页系列。
- 执手有多款可供选择, 具体参数见后页执手系列。
- 上述配置中合页使用时, 建议窗槽口高度≥1000mm, 配用3只。
- 以上配置仅供参考, 具体请提供相关资料于公司配置。

#### ● Configuration Instruction:

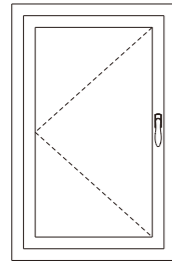
- The maximum bearing load of this configuration is 60 kg, its bearing load is depending on the hinge, there are various kinds can be selected. Refer to the hinge series.
- Various kinds of handle can be selected, please find the detailed parameter in the following handle series.
- When the hinge is used in the above configuration, the recommended height of window groove is ≥1000mm, and adopted with 3 pieces.
- The above configuration is referred only, if you need the more details, please provide us the relevant information to configure.



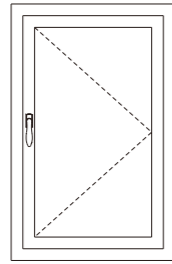


# 塑料内平开窗五金系统

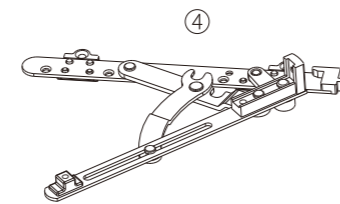
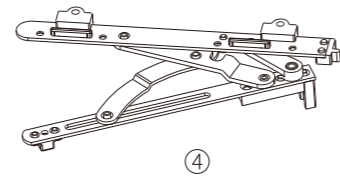
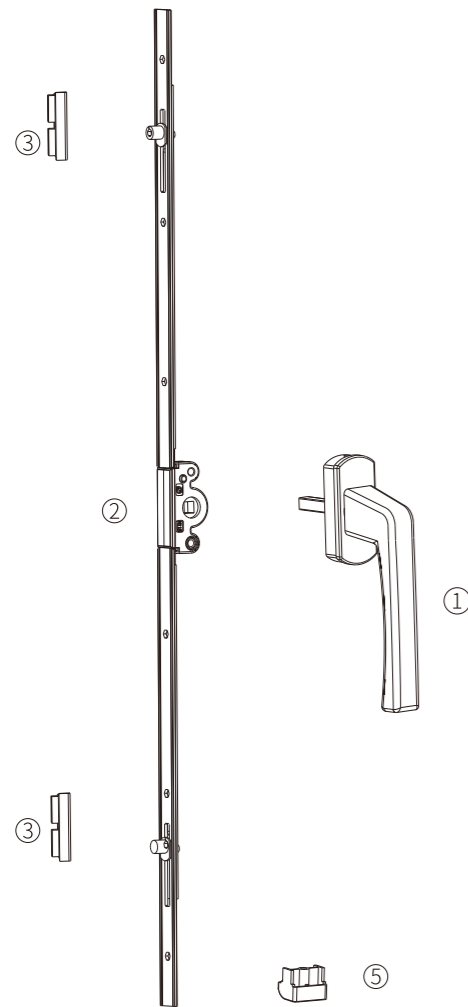
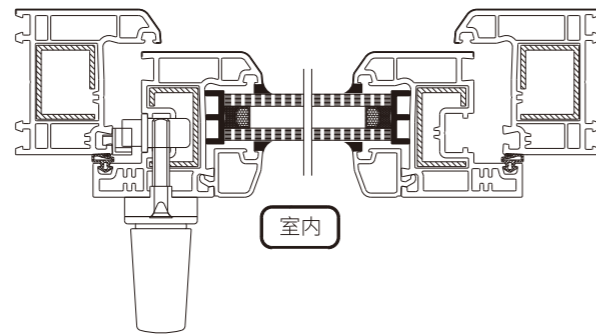
## UPVC Inward Opening Window System



左开



右开



### 内平开窗五金配件配置表

Inward Opening window hardware system table

序号 No.	产品名称 Description	产品编号 Code	数量 QTY	规格 Specifications	备注 Remark
1	方轴执手 square shaft handle	PCZ04	1	标配方轴长度 34mm, 安装螺丝 M5*40mm Standard square shaft length:34mm, the screw:M5*40mm	
2	传动锁闭器 (内开) transmission device	PCQ1501.400.2	1	400	中心距: 15mm Center Distance 15mm
		PCQ1501.600.2	1	600	
		PCQ1501.800.2	1	800	
		PCQ1501.1000.2	1	1000	
		PCQ1501.1200.3	1	1200	
3	锁座 lock holder	PCSK01B	数量根据实际锁点数 According to the actual locking points		9 系列 9 Series
		PJYC01R	1		9 系列 9 Series
4	隐形合页 Comsealed Hinge	PJYC01L	1		
		PFT03	1		

#### 内平开窗配置说明:

- 本配置最大承重 40kg, 承重取决于合页, 有多款可供选择。可参考铰链 / 合页系列。
- 执手有多款可供选择, 具体参数见后页执手系列。
- 上述配置中合页使用时, 建议窗槽口高度  $\geq 1000\text{mm}$ , 增加中部锁扣。
- 以上配置仅供参考, 具体请提供相关资料于公司配置。

#### Configuration Instruction:

- The set accessories Max Loading:40KG, which depends on the hinges, there are more optional, please refer to the Hinges Series.
- There are more optional handles, please refer to the Handle Series.
- For the hinges, it's suggest to use 3 pcs hinges, when the window height is  $\geq 1000\text{mm}$ .
- The above accessories is just for reference, consult with our technical departs to check your files.

#### 可选配执手 Optional Handle

PCZ12 方轴执手



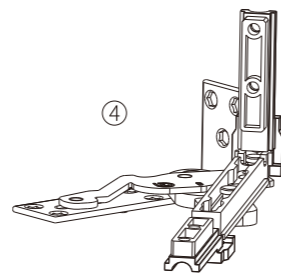
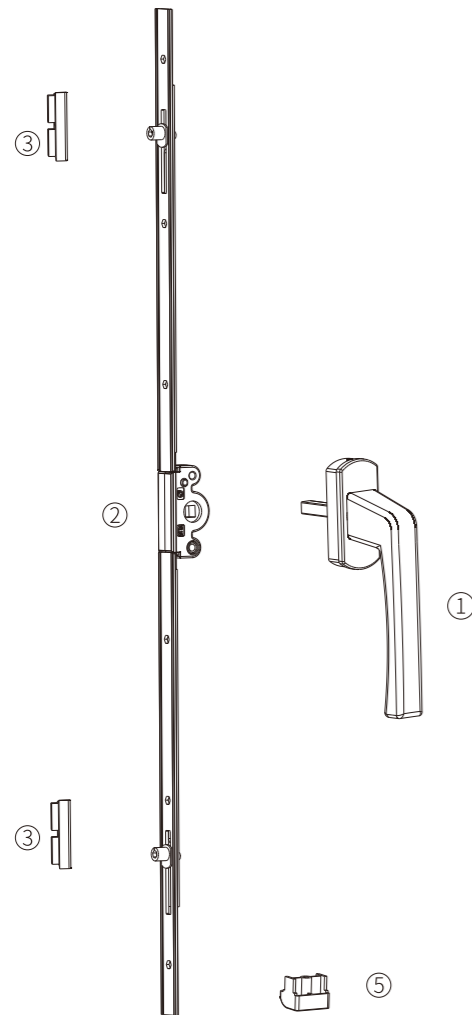
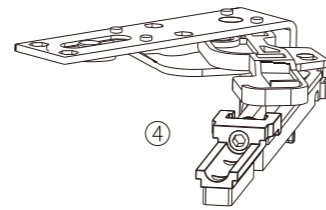
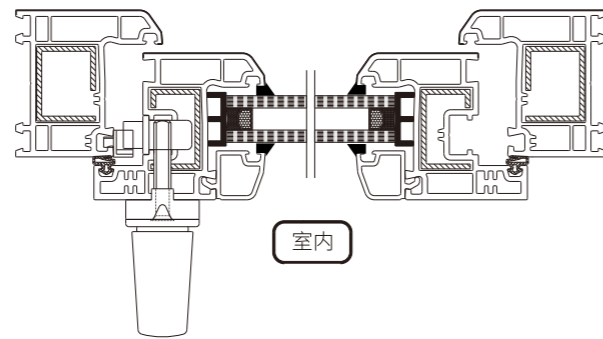
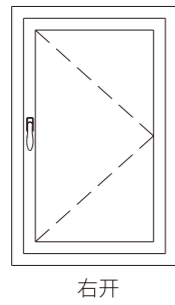
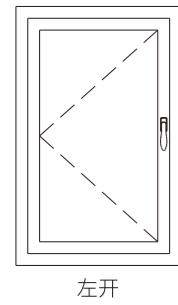
#### 可选配中部锁扣 Optional lock in the middle

PJZS01 中部锁扣



# 塑料内平开窗五金系统

## UPVC Inward Opening Window System



### 内平开窗五金配件配置表

Inward Opening Window hardware system table

序号 No.	产品名称 Description	产品编号 Code	数量 QTY	规格 Specifications	备注 Remark
1	方轴执手 square shaft handle	PCZ04	1	标配方轴长度 34mm, 安装螺丝 M5*40mm Standard square shaft length:34mm, the screw:M5*40mm	
2	传动锁闭器 (内开) Transmission device	PCQ1501.400.2	1	400	中心距: 15mm Center Distance 15mm
		PCQ1501.600.2	1	600	
		PCQ1501.800.2	1	800	
		PCQ1501.1000.2	1	1000	
		PCQ1501.1200.3	1	1200	
3	锁座 lock holder	PCSK01B	1	数量根据实际锁点数 According to the actual locking points	9 系列 9 Series
4	隐形合页 Concealed Hinge	PJYC02	1套	9 系列 9 Series	
5	提升块 lock holder	PFT03	1		

#### 内平开窗配置说明:

- 本配置最大承重 80kg, 承重取决于铰链, 有多款可供选择. 可参考铰链 / 合页系列。
- 执手有多款可供选择, 具体参数见后页执手系列。
- 上述配置中合页使用时, 建议窗槽口高度  $\geq 1000\text{mm}$ , 增加中部锁扣。
- 以上配置仅供参考, 具体请提供相关资料于公司配置。

#### Configuration Instruction:

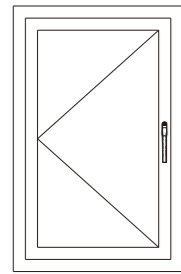
- The set accessories Max Loading:80KG, which depends on the hinges, there are more optional, please refer to the Hinges Series.
- There are more optional handles, please refer to the Handle Series.
- For the hinges, it's suggest to use 3 pcs hinges, when the window height is  $\geq 1000\text{mm}$ .
- The above accessories is just for reference, consult with our technical departs to check your files.



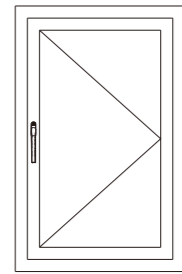
# 塑料外平开窗五金系统

## UPVC Outward Opening Window System

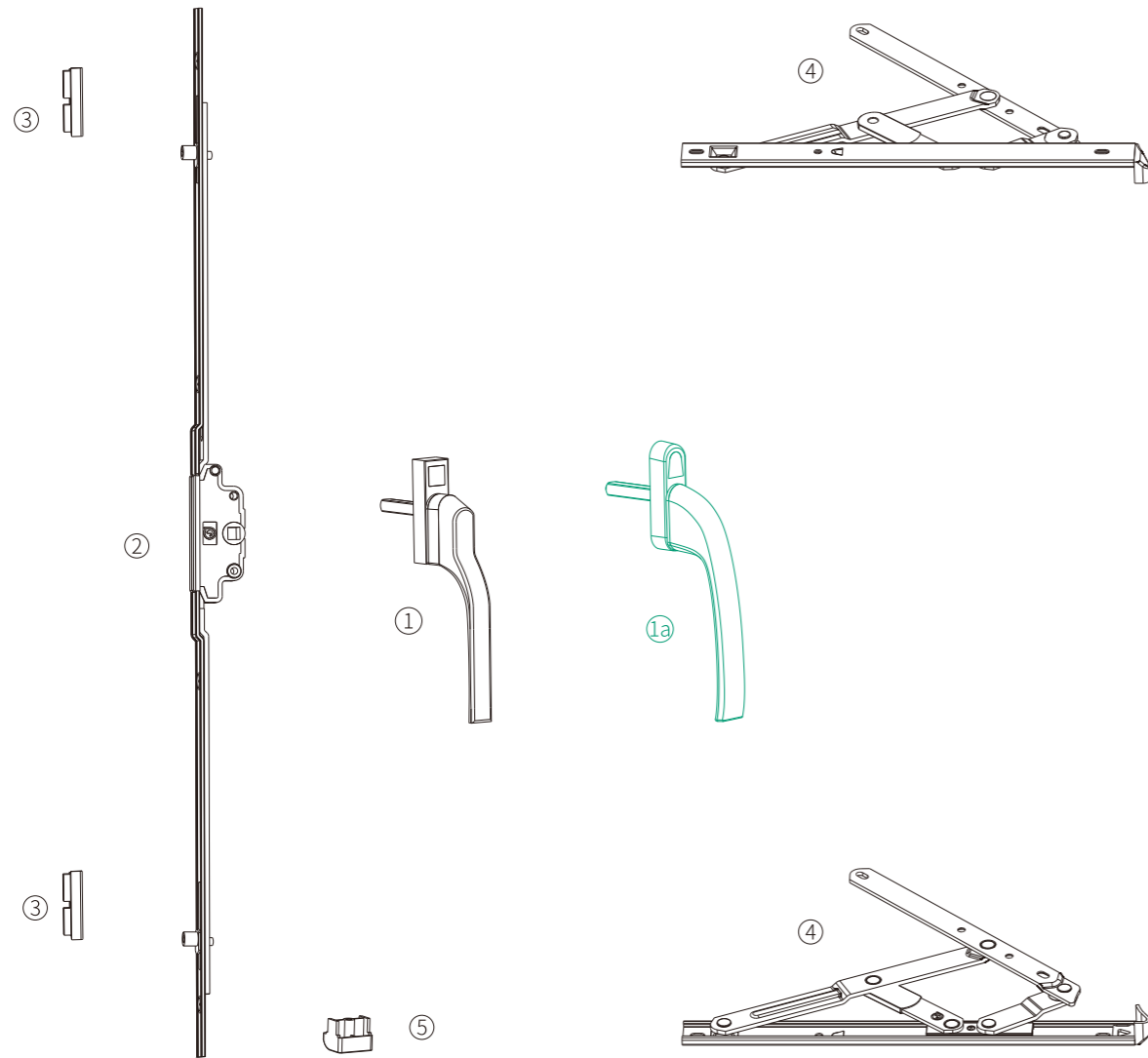
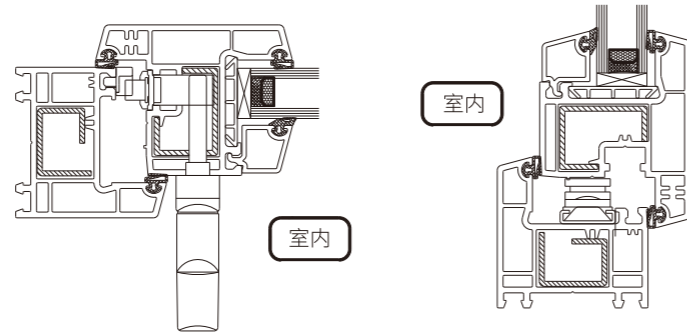
Window System



左开



右开



### 外平开窗五金系统配置表

Outward Opening Window hardware system table

序号 No.	产品名称 Description	产品编号 Code	数量 QTY	规格 Specifications	备注 Remark
1	方轴执手 square shaft handle	PCZ03	1	标配方轴长度 40mm, 安装螺丝 M5*50mm Various models of handle can be chosen, the color should be marked while placing order.	
2	传动锁闭器 (外开) transmission device	PCQ2001.400.2	1	400	中心距: 20mm Center Distance 20mm
		PCQ2001.600.2	1	600	
		PCQ2001.800.2	1	800	
		PCQ2001.1000.2	1	1000	
		PCQ2001.1200.3	1	1200	
3	锁座 lock holder	PCSK01B	数量根据实际锁点数 According to the actual locking points	9系列 9 Series	
4	平开滑撑 Casement Friction Stay	PHKS	2	常规: 10~16寸, 叠高 16.5mm/18mm According to the actual locking points	
5	提升块 Elevator Block	PFT03	1		
1a	方轴执手 Handle with Square shaft	PCZ16	1	标配方轴长度 40mm, 安装螺丝 M5*50mm According to the actual locking points	

#### 外平开窗配置说明:

- 本配置承重取决于滑撑, 根据不同型材尺寸有多款可供选择。可参考滑撑系列。
- 执手有多款可供选择, 具体参数见后页执手系列。
- 上述配置中滑撑使用时, 建议窗槽口高度  $\geq 1000\text{mm}$ , 增加中部锁扣。
- 其中提升块配件为必选项。
- 以上配置仅供参考, 具体请提供相关资料于公司配置。

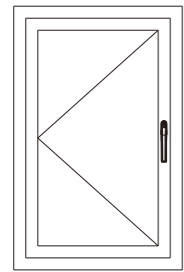
#### Configuration Instruction:

- The max loading is depends on the friction stay, there are more optional friction to the profiles' size.
- There are optional handles, refer to the Handle Series.
- It's suggest to add the lock in the middle of window when the window height  $\geq 1000\text{mm}$
- The Elevator Block is must be used
- The above accessories is just for reference. Consult with our Technical Departs to check your flies.

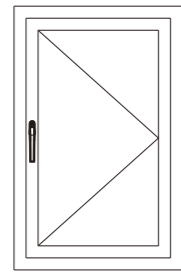


# 塑料外平开窗定点限位五金系统

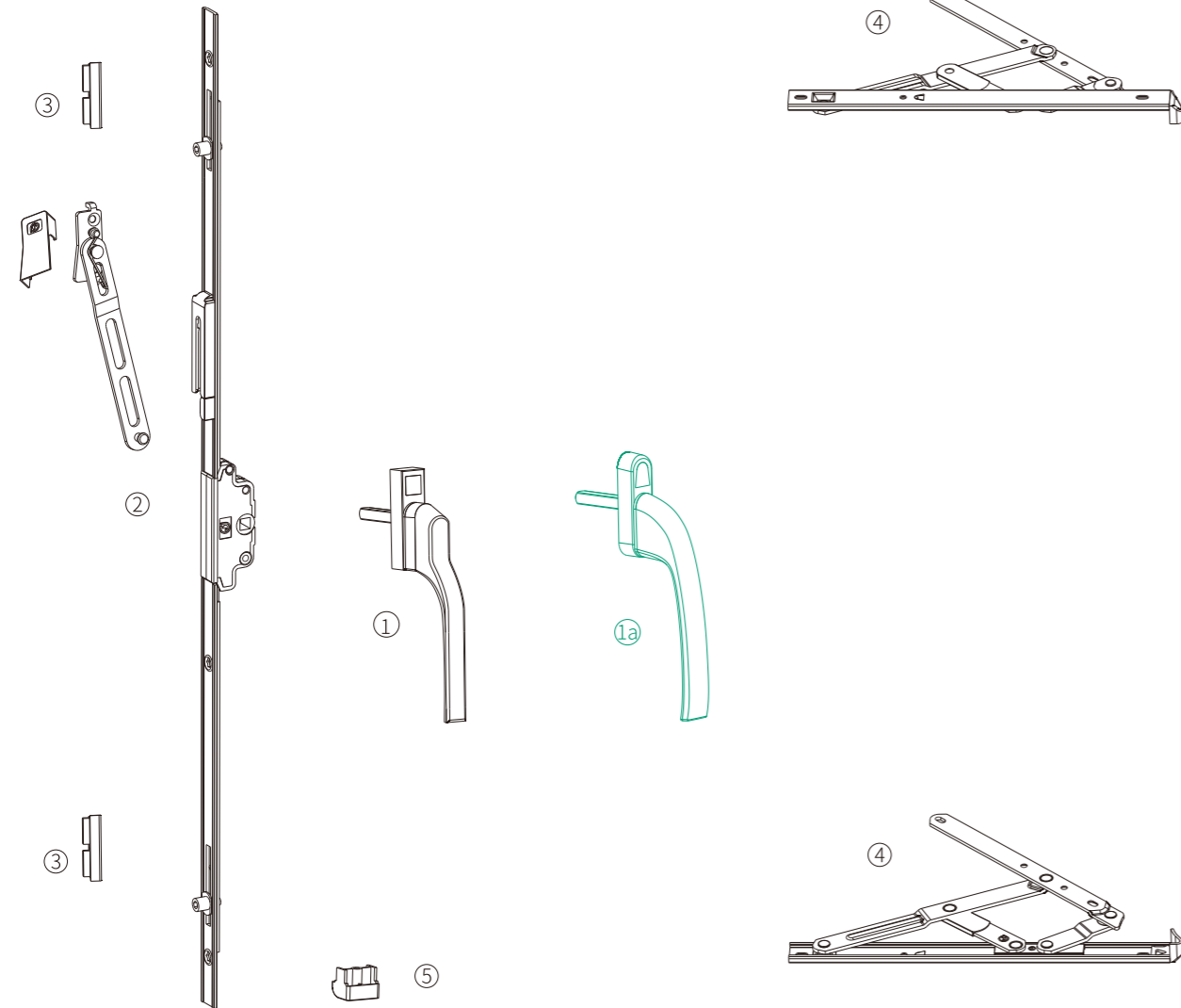
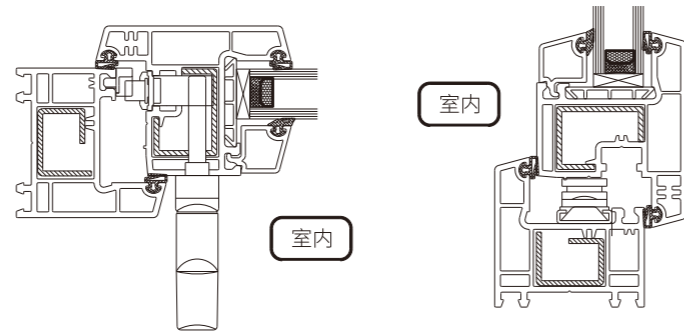
## UPVC Outwards top-hung Window System Accessories



左开



右开



### 外平开窗定点限位五金系统配置表

outwards top-hung window hardware system table

序号 No.	产品名称 Description	产品编号 Code	数量 QTY	规格 Specifications	备注 Remark
1	方轴执手 square shaft handle	PCZ03	1		标配方轴长度 40mm, 安装螺丝 M5*50mm Standard square shaft length:40mm, the screw:M5*50mm
2	传动锁闭器 (外开) Transmission Device	PCQ2202R/L.800.2	1	800	中心距: 22.5mm Center distance:22.5mm
		PCQ2202R/L.1000.2	1	1000	
		PCQ2202R/L.1200.3	1	1200	
		PCQ2202R/L.1400.3	1	1400	
3	锁座 lock holder	PCSK01B	数量根据实际锁点数 According to the actual locking points		9系列 9 Series
4	平开滑撑 Casement Friction Stay	PHKS	2		常规: 10~16寸, 叠高 16.5mm/18mm Standard length:10~16", height:16.5mm/18mm
5	提升块 Elevator Block	PFT03	1		
1a	方轴执手 Square shaft Handle	PCZ16	1		标配方轴长度 40mm, 安装螺丝 M5*50mm Standard square shaft length:40mm, the screw:M5*50mm

#### 外平开窗配置说明:

- 本配置承重取决于滑撑, 根据不同型材尺寸有多款可供选择。可参考滑撑系列。
- 执手有多款可供选择, 具体参数见后页执手系列。
- 上述配置中滑撑使用时, 建议窗槽口高度  $\geq 1000\text{mm}$ , 增加中部锁扣。
- 传动锁闭器适用范围窗扇槽高 850mm-1600mm。其中提升块配件为必选项。
- 以上配置仅供参考, 具体请提供相关资料于公司配置。

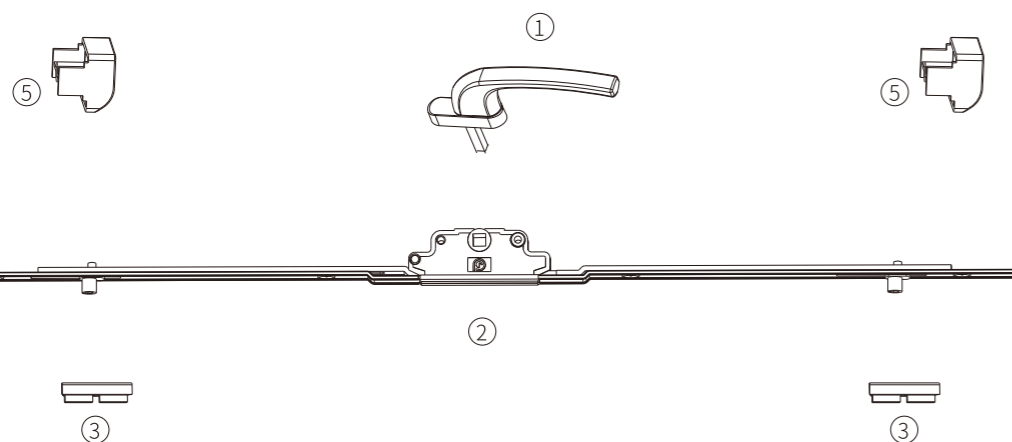
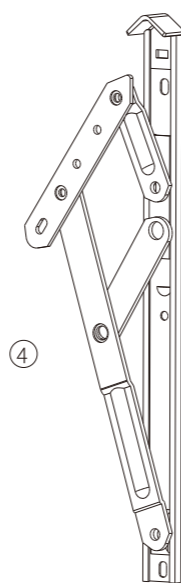
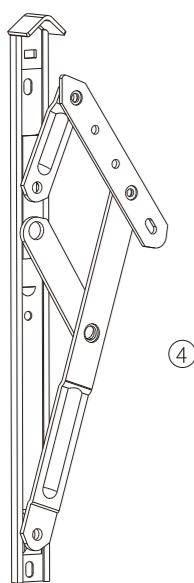
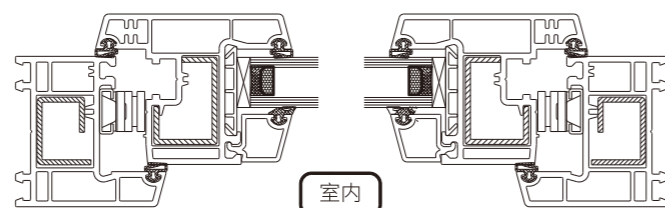
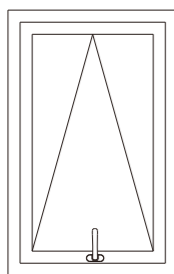
#### Outwards casement accessories instruction:

- The max loading is depend on the friction stay,there are more options base on the profiles size.
- There are more optional handles,please refer to the handle series.
- It's suggest to add the lock in the middle of window when the height is  $\geq 1000\text{mm}$ .
- The transmission device is suitable for the window height between 850mm and 1600mm,and the elevator block is required.
- The above accessories is just for reference.consult our technicle Departs for accessories.



# 塑料外上悬窗五金系统

## UPVC Outwards Top-hung Window System Accessories



### 外上悬窗五金系统配置表

Outwards casement accessories' system-Fixed and Limited pointed

序号 No.	产品名称 Description	产品编号 Code	数量 QTY	规格 Specifications	备注 Remark
1	方轴执手 square shaft handle	PCZ20	1	标配方轴长度 40mm, 安装螺丝 M5*50mm Standard square shaft length:40mm, the screw:M5*50mm	
2	传动锁闭器 (外开) Transmission Device	PCQ2001.400.2	1	400	中心距: 20mm Center Distance 20mm
		PCQ2001.600.2	1	600	
		PCQ2001.800.2	1	800	
		PCQ2001.1000.2	1	1000	
		PCQ2001.1200.3	1	1200	
3	锁座 lock holder	PCSK01B	数量根据实际锁点数 According to the actual locking points		9 系列 9 Series
		PHXZ10A	2	10 寸	
4	悬窗滑撑 Top Hung Friction Stay	PHXZ12A	2	12 寸	叠高 /12: 16.5mm 叠高 /62: 18mm Height /12: 16.5mm Height /62: 18mm
		PHXZ14A	2	14 寸	
		PHXZ16A	2	16 寸	
5	提升块 Elevator Block	PFT03	2		
6	限位撑 Limiter Stay	PDZ B	2	10~14	

#### 外上悬窗配置说明:

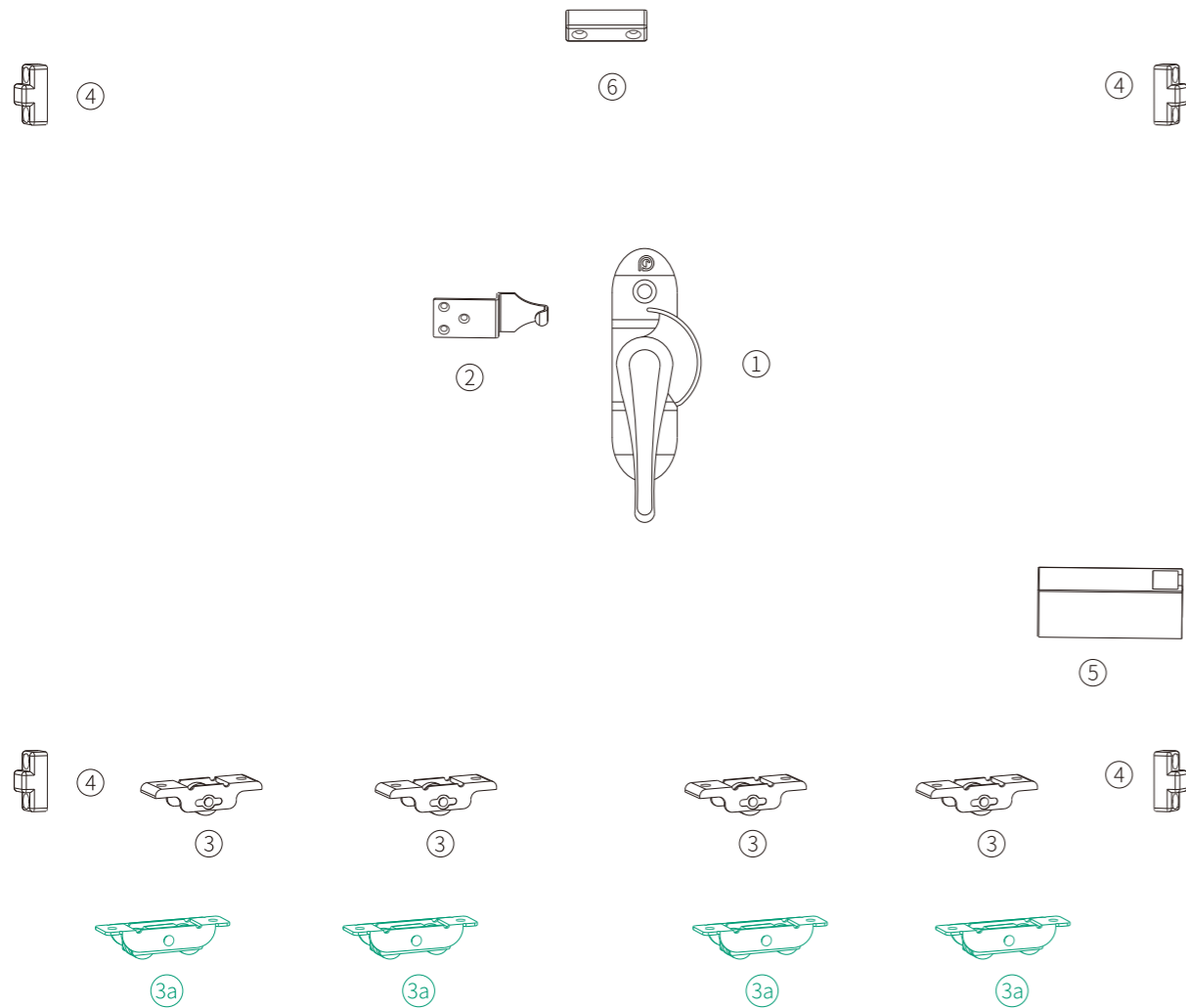
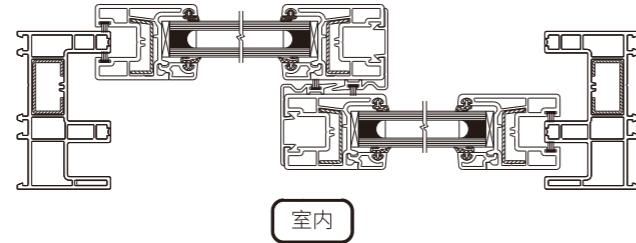
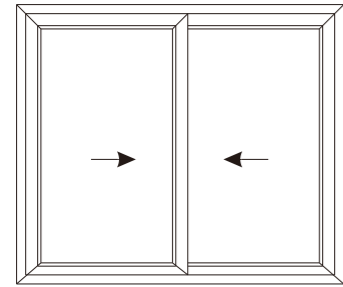
- 本配置承重取决于滑撑, 根据不同型材尺寸有多款可供选择。可参考滑撑系列。
- 执手有多款可供选择, 具体参数见后页执手系列。
- 上述配置中为减少启闭过程中锁钉与锁座摩擦, 出现窗扇变形, 提升块配件为必选项。
- 根据不同窗型高度及开启角度, 使用悬窗滑撑后, 可选择限位撑作为角度限位件。
- 以上配置仅供参考, 具体请提供相关资料于公司配置。

#### Outwards Top-hung window accessories:

- The max loading is depend on the friction stay,there are more options base on the profiles size.
- There are more optional handles,please refer to the handle series.
- It's order to avoid the friction between the lock pin and lock holder,and might be out of the shape of window,the elevator block is required.
- According to the window height and opening angle,when the top-hung friction stay is used,the limiter stay is option.
- The hardware accessories in blue of this configuration Optional accessories



# 塑料推拉窗五金系统 UPVC Sliding Window System



## ● 推拉窗五金系统配置表 Sliding Window hardware system table

序号 No.	产品名称 Description	产品编号 Code	数量 QTY	规格 Specifications	备注 Remark
1	月牙锁 Crescent lock	PSB07R	1		分左右、可选配 Left and right version.Optional
		PSB07L	1		
2	锁钩 Lock Hook	PSBG01A	1		根据型材配置 Depends on the profile
3	滑轮 Single Roller	PLD02-AS	2只 / 扇	单轮 Single Roller	可选配 Optional
4	防撞块 Bumping Block	PFK02	4		
5	限位块 Limiter block	PFK05	1		
6	防提块 Plastic Block	PFK06	1		
3a	滑轮 Double Roller	PLBS03-AS	2只 / 扇	双轮 Double Roller	可选配 Optional

### ● 推拉窗配置说明: [图中绿色为可选项]

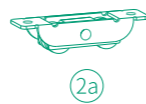
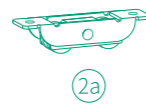
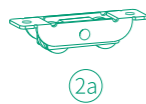
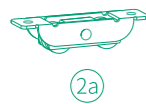
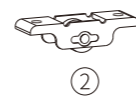
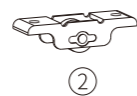
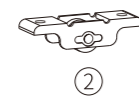
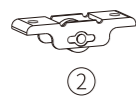
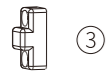
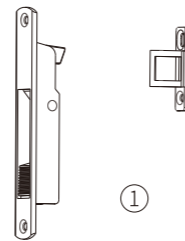
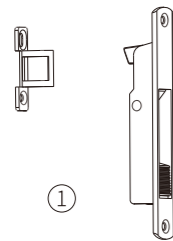
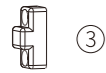
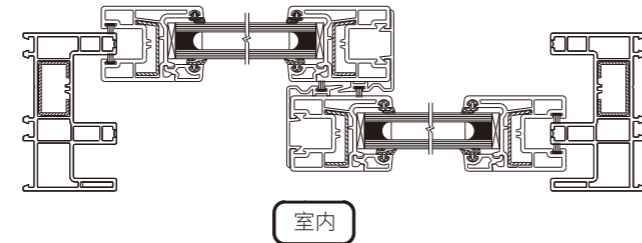
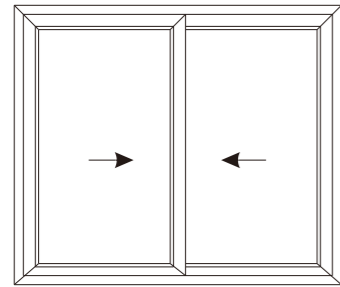
- 上述配置最大承重 35kg, 承重取决于滑轮, 滑轮有单轮, 双轮, 平轮, 钢轮, 铜轮可参考滑轮系列。
- 月牙锁有多款可供选择, 具体参数见后页月牙锁系列。
- 上述配置中为防止月牙锁在开启过程中与框型材碰撞, 限位块为必选项。
- 以上配置仅供参考, 具体请提供相关资料于公司配置。

### ● The Sliding Accessories's Instruction: [The green font parts are options]

- The above accessories max loading:35KG, which depends on the rollers, there are more optional rollers.
- There are more optional crescent lock, refer to the series for the specification.
- The above accessories, in order to avoid crescent lock knocking against the frame, the limiter block is the required.
- The above accessories is just for reference, consult our technical departs.



# 塑料推拉窗五金系统 UPVC Sliding Window System



## ● 推拉窗五金系统配置表 Sliding Window hardware system table

序号 No.	产品名称 Description	产品编号 Code	数量 QTY	规格 Specifications	备注 Remark
1	碰锁 Sliding Spring Lock	PSTP01R	1		根据型材配置 配锁勾 Base on the profile's size for the suitable hook
		PSTP01L	1		
2	滑轮 Single Roller	PLD02-AS	2只/扇	单轮 Single Roller	可选配 Optional
3	防撞块 Bumping Block	PFK02	4		
4	防提块 Plastic Block	PFK06	1		
2a	滑轮 Double Roller	PLBS03-AS	2只/扇	双轮 Double Roller	可选配 Optional

### ● 推拉窗配置说明:【图中绿色为可选项】

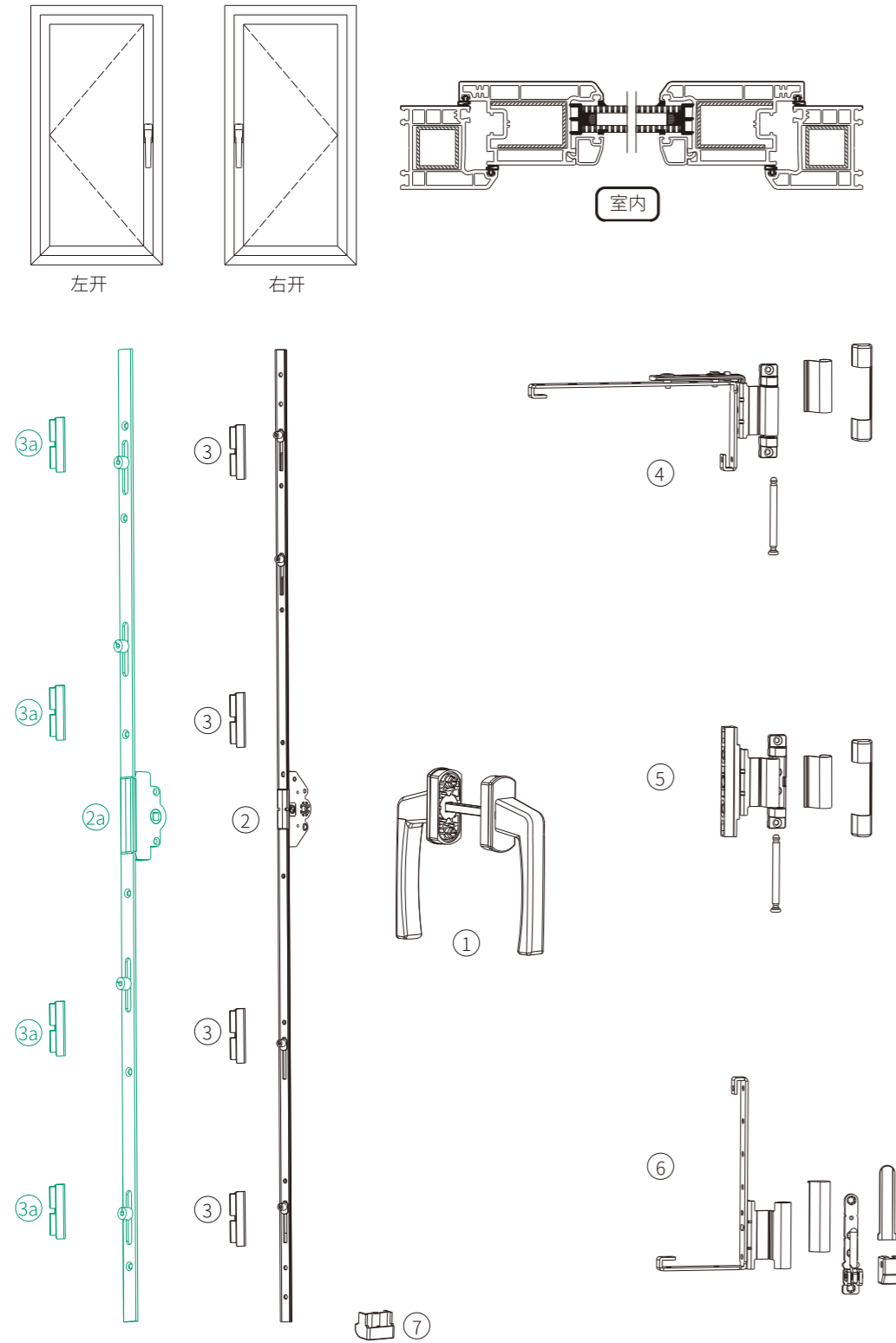
- 上述配置最大承重 35kg, 承重取决于滑轮, 滑轮有单轮, 双轮, 平轮, 钢轮, 铜轮可参考滑轮系列。
- 碰锁有多款可供选择, 具体参数见后页推拉系列。
- 以上配置仅供参考, 具体请提供相关资料于公司配置。

### ● The Sliding Window Accessories' Instruction:【The green font parts are options】

- The above accessories' max loading: 35KG, which depends on the roller, there are more optional rollers for reference.
- There are more optional sliding spring locks, refer to the sliding series.
- The above accessories is only for reference, consult our technicle departs.



# 塑料平开门五金系统 UPVC Casement Door System



## 平开门五金系统配置表 Casement Door hardware system table

序号 No.	产品名称 Description	产品编号 Code	数量 QTY	规格 Specifications	备注 Remark
1	双面执手 Double handle	PCZ04A	1	根据门型配置 According to the type door configuration	
2	传动锁闭器 (不带锁) Transmission Device	PCQ3001.1680.4	1	1680	中心距 :30mm Center distance: 30 mm
		PCQ3001.1980.4	1	1980	
		PCQ3501.1680.4	1	1680	中心距 :35mm Center distance: 35 mm
		PCQ3501.1980.4	1	1980	
		PCQ4001.1680.4	1	1680	中心距 :40mm Center distance: 40 mm
2a	传动锁闭器 (不带锁) Transmission Device	PCQ3002.1600.4	1	1600	中心距 :30mm Center distance: 30 mm
		PCQ3002.1800.4	1	1800	中心距 :30mm Center distance: 30 mm
3	锁座 lock holder	PCSK02B	4		13 系列 13 series
3a	锁座 lock holder	PCSK08	4		13 系列 13 series
4	上部铰链 Upper Hinge	PJMS03AR/L	1	分左右 13 系列 根据型材配置 Left and right version,Optional for 13 series Depends on the profile	
5	中部铰链 Middle Hinge	PJMZ03	1		
6	下部铰链 Lower Hinge	PJMX03AR/L	1		
7	提升块 Elevator Block	PFT03	1		

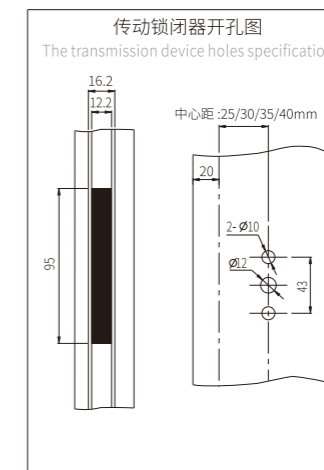
注:图中绿色为可选项 Note: Green in the picture is optional

### 平开门配置说明:

- 本配置最大承重 80kg, 承重取决于铰链, 有多款可供选择。可参考铰链 / 合页系列。
- 执手有多款可供选择, 具体参数见后页执手系列。
- 以上配置仅供参考, 具体请提供相关资料于公司配置。

### Casemen Door Accessories' Instruction

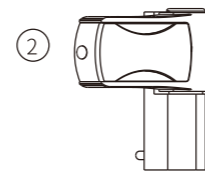
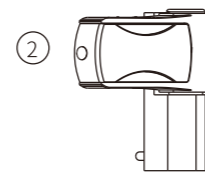
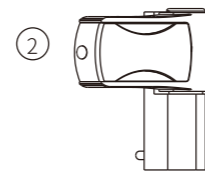
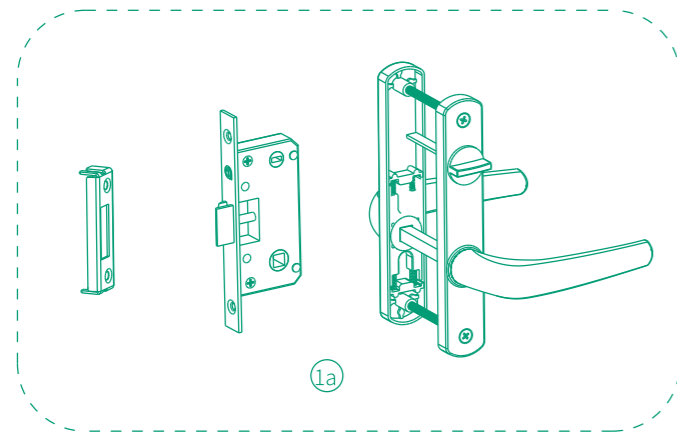
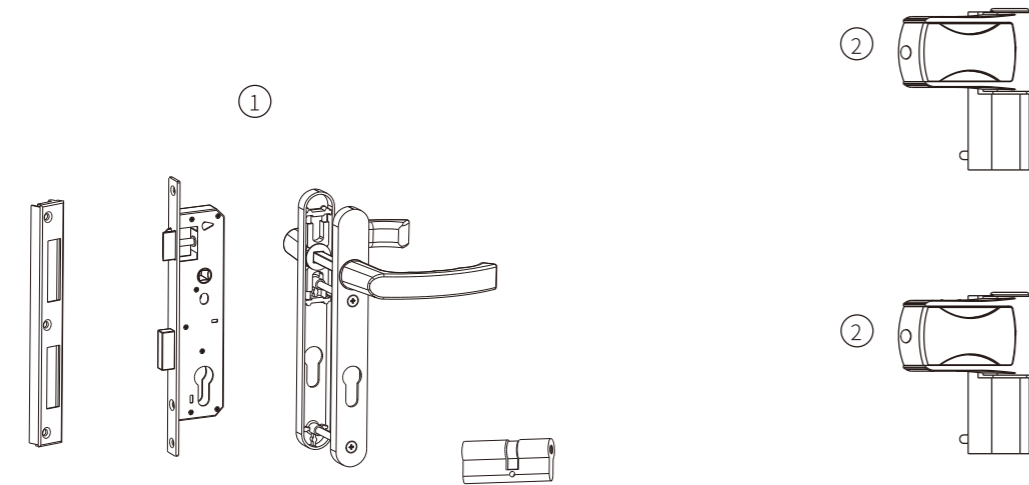
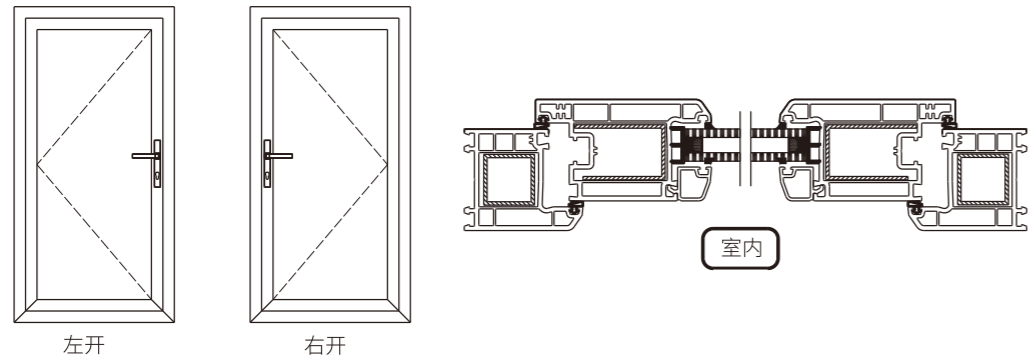
- The above accessories' max loading:80KG,which depends on the hinge,refer to the hinge series for option.
- Refer to the handles' series for option.
- The above accessories is only for reference,consult our technical departs







# 塑料平开门五金系统 UPVC Casement Door System



## 平开门五金系统配置表 Casement Door hardware system table

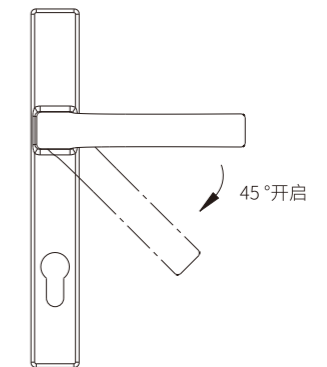
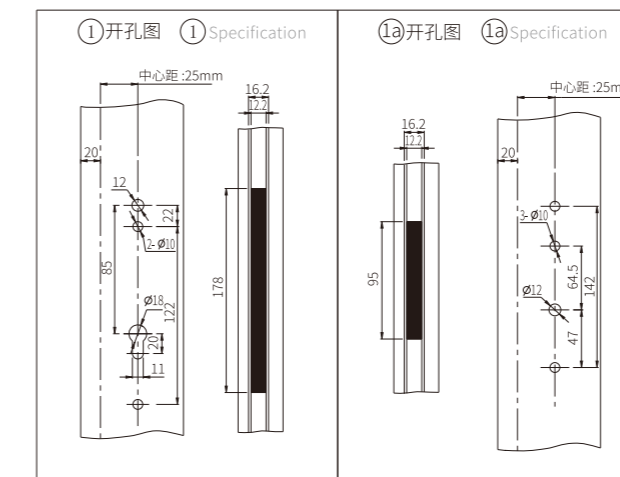
序号 No.	产品名称 Description	产品编号 Code	数量 QTY	规格 Specifications	备注 Remark
1	PMSD01AR/L 门用单点锁 Door's single point lock	PMSD01-01 锁体 PMSD01-01 lock body	1		根据型材配置 Depends on the profile
		PMSD01-02 执手 PMSD01-01 lock body	1		
		PMSD01-03 锁扣板 PMSD01-01 lock body	1		
		PMSD01-04 锁芯 PMSD01-01 lock body	1		
1a	PMSD05R/L 门用通道锁 Door channel lock	PMSD05-01 锁体 PMSD01-01 lock body	1		根据型材配置 Depends on the profile
		PMSD05-02 执手 PMSD01-01 lock body	1		
		PMSD05-03 锁扣板 PMSD01-01 lock body	1		
2	三维合页 3D Hinge	PJH11R/L	3		分左右, 根据型材配置 Left and right version, Optional, depends on the profile
3	提升块 Elevator Block	PFT03	1		

### 平开门配置说明:【图中绿色为可选项】

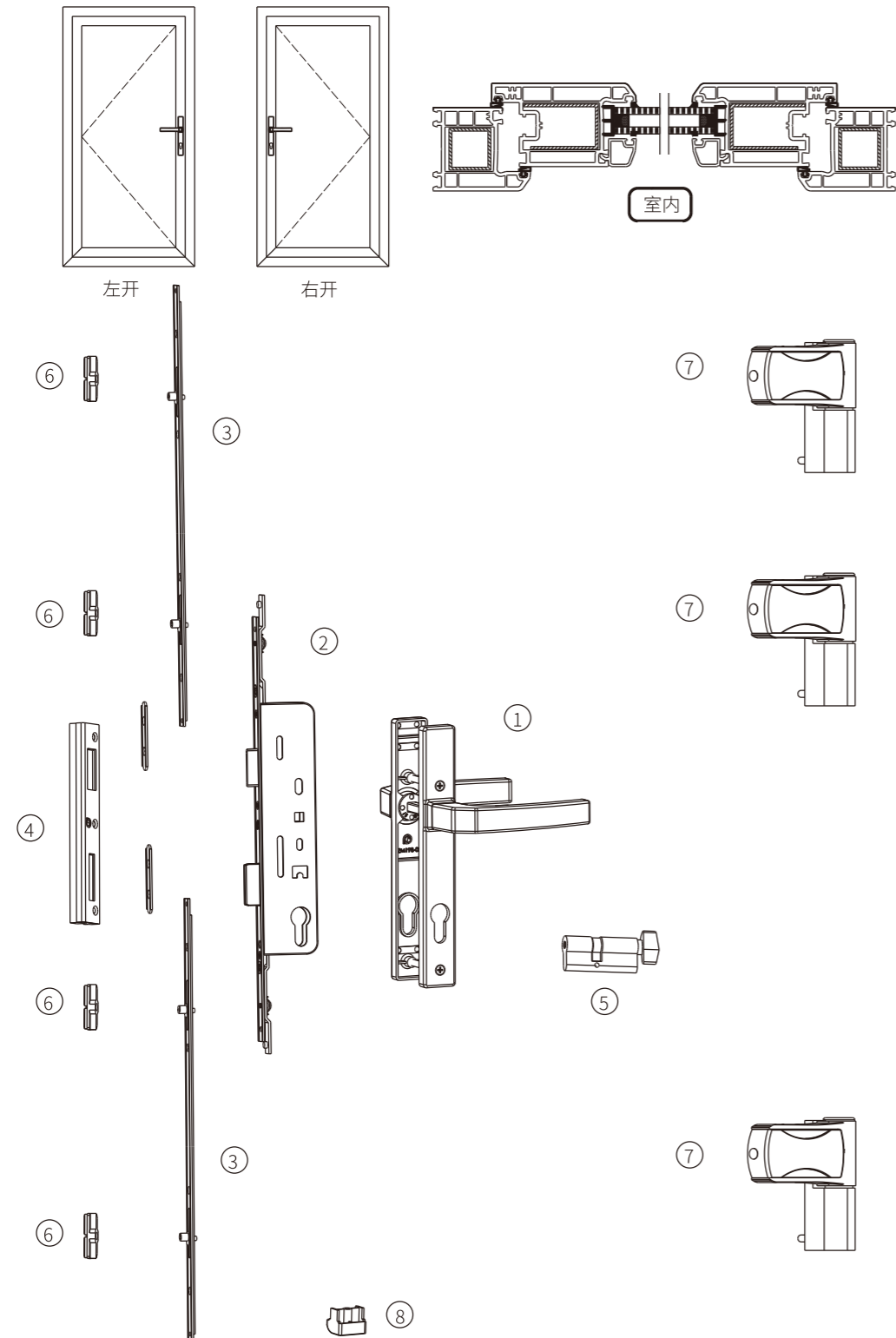
- 本配置最大承重 120kg, 承重取决于合页, 有多款可供选择。可参考铰链 / 合页系列。
- 本配置适用于卫生间门, 厨房门等通道门。
- 本配置承重件为三维合页, 可实现门扇的上下, 左右, 前后方向的搭接量调节。
- 以上配置仅供参考, 具体请提供相关资料于公司配置。

### Casemen Door Accessories' Instruction:[The green font parts are options]

- The above accessories' max loading:120KG, which depends on the hinge, refer to the hinge series for option.
- The above accessories are suitable for the balcony, toilet.
- The max loading depends in the 3D Hinge, which can adjust as different directions, upper and lower, left and right, front and back.
- The above accessories is only for reference, consult our technical departs



# 塑料平开门五金系统 UPVC Casement Door System



● 平开门五金系统配置表  
Casement Door hardware system table

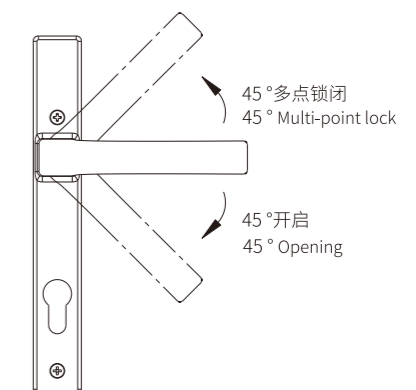
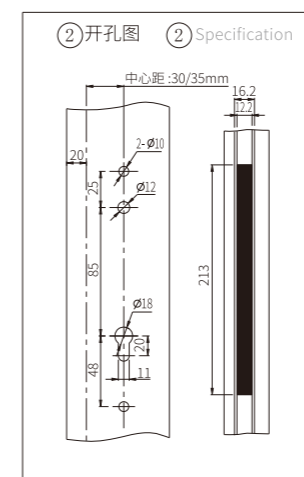
序号 No.	产品名称 Description	产品编号 Code	数量 QTY	规格 Specifications	备注 Remark
1	双面执手 Double handle	CZM19B	1	方轴及螺丝根据门型配置 Various models of handle can be chosen, the	
2	锁体 Lock Body	P8535	1	锁体中心距:35mm Lock body center distance: 35 mm	分左右 根据型材配置 Left and right version.
		P8530	1	锁体中心距:30mm Lock body center distance: 30 mm	Optional.depends on the profile
3	多点锁连杆 Connector Bar	PSL-600	2	全长:1680mm Length:1680mm	
4	多点锁连杆 Connector Bar	PSL-880	2	全长:1980mm Length:1980mm	
5	锁扣板 Lock Plate	PZMK01R/L	1		根据型材配置 Depends on the profile
6	单开锁芯 Cylinder	42/42TB	1		根据型材配置 Depends on the profile
7	锁座 lock holder	PCSK02B	4	13 系列, 根据型材配置 13 series.Optional.depends on the profile	
8	三维合页 3D Hinge	PJH11R/L	3	分左右, 根据型材配置 Left and right version.Optional.depends on the profile	
8	提升块 Elevator Block	PFT03	1		

● 配置说明:

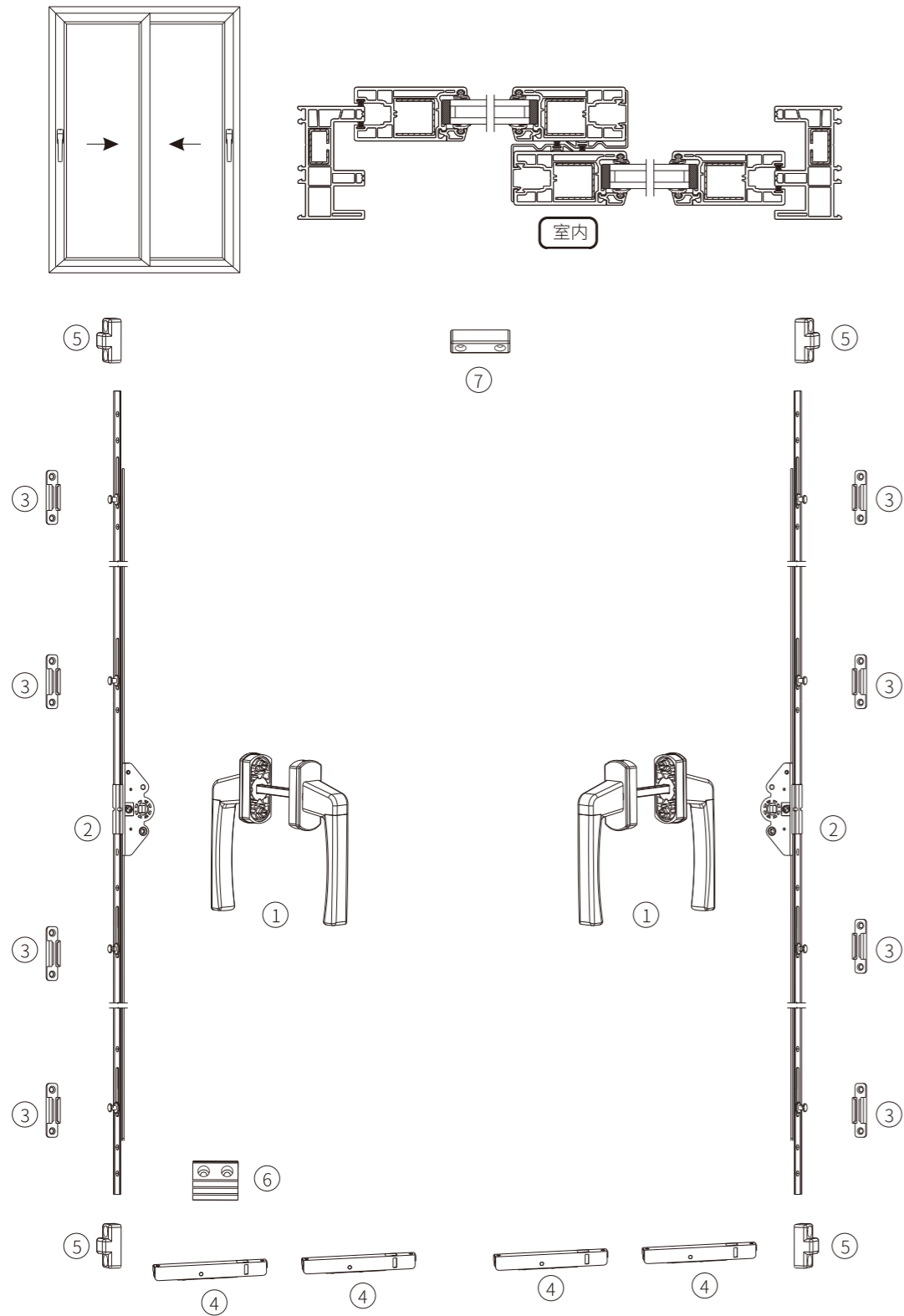
- 本配置最大承重 120kg, 承重取决于合页, 有多款可供选择. 可参考铰链 / 合页系列.
- 本配置可实现多点锁闭, 适用于首层阳台入户门等.
- 本配置承重件为三维合页, 可实现门扇的上下, 左右, 前后方向的搭接量调节.
- 以上配置仅供参考, 具体请提供相关资料于公司配置.

● Configuration Instruction :

- The above accessories max loading:120KG.which depends on the hinges. refer to the hinge series for more options.
- The above accessories can be multi-points lock. suitable for the balcony,doors and others'
- The max loading depends in the 3D Hinge.which can adjust as different directions.upper and lower.left and right.front and back.
- The above accessories is only for reference.consult our technical departs



# 塑料推拉门五金系统 UPVC Sliding Door Hardware System



## ● 推拉门五金系统配置表 Sliding Door hardware system table

序号 No.	产品名称 Description	产品编号 Code	数量 QTY	规格 Specifications	备注 Remark
1	双面执手 Double handle	PCZ04A	2	根据门型配置	According to the type door configuration
2	传动锁闭器 (不带锁) Transmission Device	PCT2501.1680.4	2	1680	根据型材选配 中心距:25mm According to the material selection Center distance: 25 mm
		PCT2501.1980.4	2	1980	
		PCT3001.1680.4	2	1680	根据型材选配 中心距:30mm According to the material selection Center distance: 30 mm
		PCT3001.1980.4	2	1980	
3	锁座 lock holder	PCST02	8		
4	滑轮 Double Roller	PLTS02C-AS	2只/扇		根据型材配置 Depends on the profile
5	防撞块 Bumping Block	PFK01	4		
6	限位块 Limiter block	PFK04	1		
7	防提块 Plastic Block	PFK06	1		

### ● 推拉门配置说明:

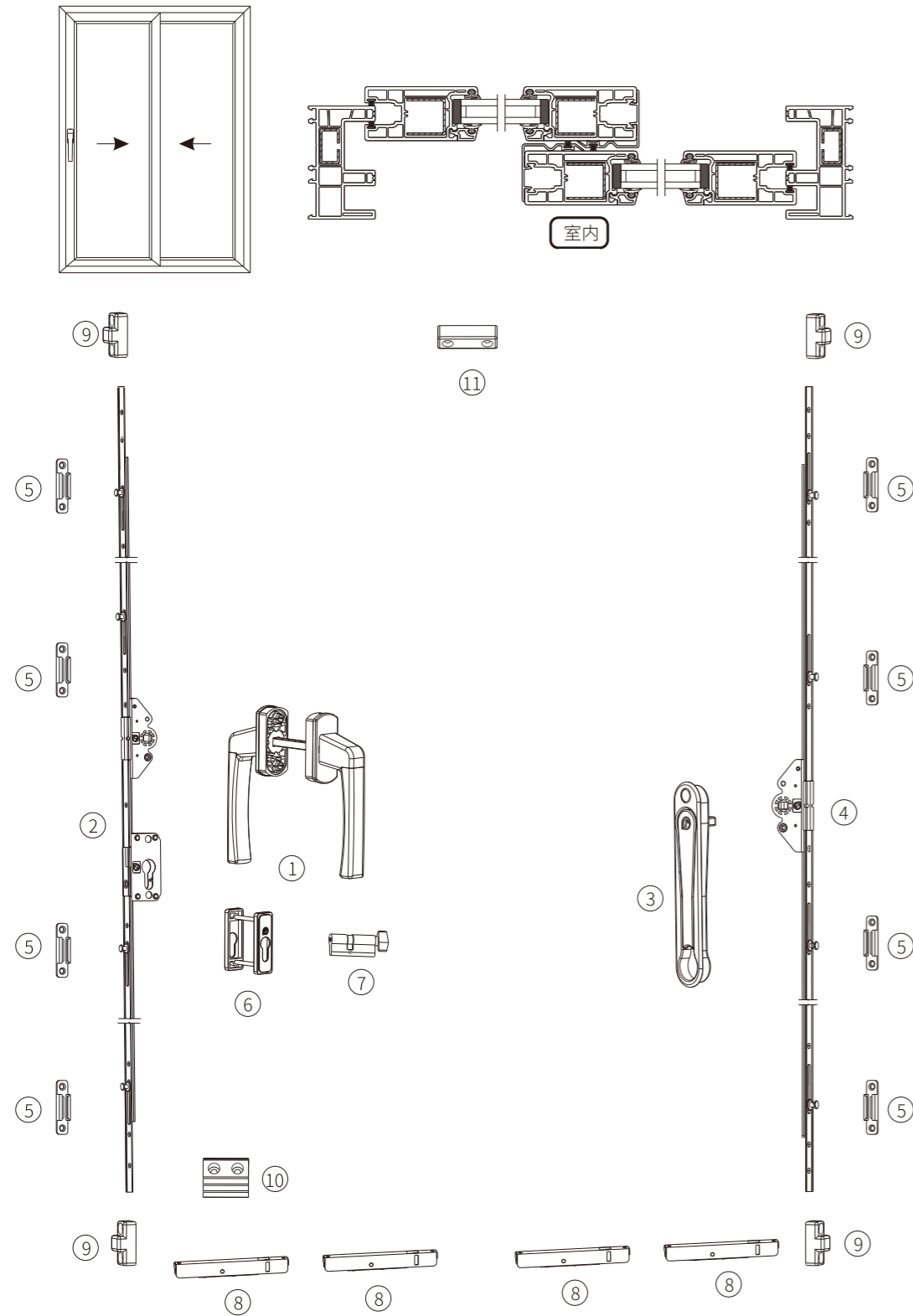
- 本配置最大承重 120kg, 承重取决于滑轮, 有多款可供选择。可参考推拉滑轮系列。
- 执手有多款可供选择, 具体参数见后页执手系列。
- 以上配置仅供参考, 具体请提供相关资料于公司配置。

### ● Sliding Door Accessories Instruction:

- The above accessories' max loading:120KG.which depends on the hige.refer to the hinge series for option.
- Refer to the handles series for more options.
- The above accessories is only for reference.consult our technical departs



# 塑料推拉门五金系统 UPVC Sliding Door Hardware System



## ● 推拉门五金系统配置表 Sliding Door hardware system table

序号 No.	产品名称 Description	产品编号 Code	数量 QTY	规格 Specifications	备注 Remark
1	双面执手 Double handle	PCZ04A	1	根据型材配置	Depends on the profile
2	传动锁闭器 (带锁) Transmission Device	PCT2501A.1680.4	1	1680	根据型材选配 中心距:25mm According to the material selection Center distance: 25 mm
		PCT2501A.1980.4	1	1980	
		PCT3001A.1680.4	1	1680	根据型材选配 中心距:30mm According to the material selection Center distance: 25 mm
3	方轴执手 square shaft handle	PCZ27	1	根据型材配置	Depends on the profile
		PCT2501.1680.4	1	1680	根据型材选配 中心距:25mm According to the material selection Center distance: 25 mm
4	传动锁闭器 (不带锁) Transmission Device	PCT2501.1980.4	1	1980	
		PCT3001.1680.4	1	1680	根据型材选配 中心距:30mm According to the material selection Center distance: 30 mm
		PCT3001.1980.4	1	1980	
5	锁座 Lock holder	PCST02	8		
6	面板 Lock Plate	PFZ01	1		根据型材配置 Depends on the profile
7	单开锁芯 Cylinder	31/31TB	1		根据型材配置 Depends on the profile
8	滑轮 Roller	PLTS02A-AS	2只/扇		根据型材配置 Depends on the profile
9	防撞块 Bumping Block	PFK01	4		
10	限位块 Limiter block	PFK04	1		
11	防提块 Plastic Block	PFK06	1		

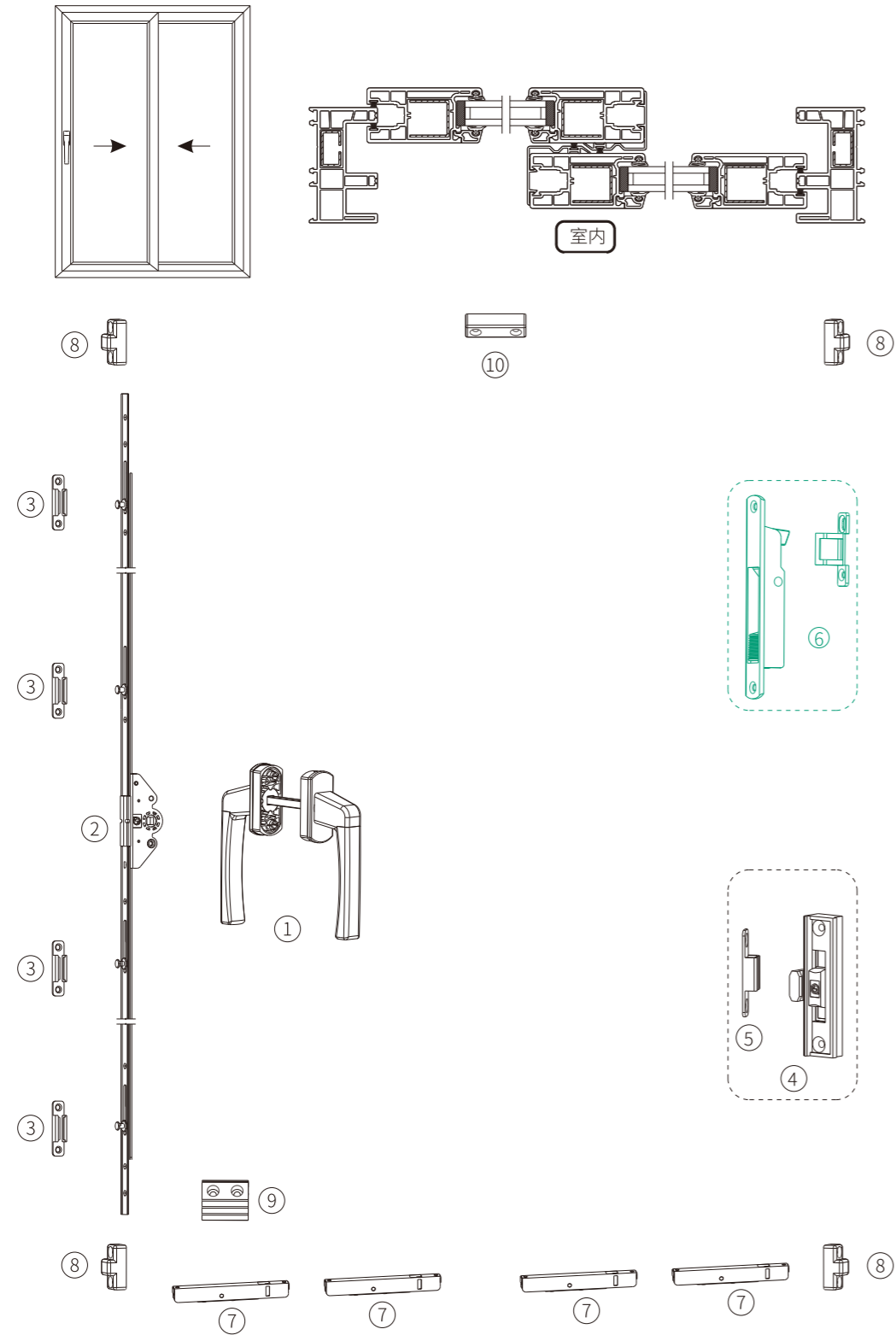
### ● 推拉门配置说明:

- 本配置最大承重 120kg, 承重取决于滑轮, 有多款可供选择。可参考推拉滑轮系列。
- 执手有多款可供选择, 具体参数见后页执手系列。
- 以上配置仅供参考, 具体请提供相关资料于公司配置。

### ● Sliding Door Accessories Instruction:

- The above accessories' max loading:120KG,which depends on the hinge,refer to the hinge series for option.
- Refer to the handles series for more options.
- The above accessories is only for reference,consult our technical departs

# 塑料推拉门五金系统 UPVC Sliding Door Hardware System



● 推拉门五金系统配置表  
Sliding Door hardware system table

序号 No.	产品名称 Description	产品编号 Code	数量 QTY	规格 Specifications	备注 Remark
1	双面执手 Double handle	PCZ04A	1	根据门型配置	According to the type door configuration
2	传动锁闭器 (不带锁) Transmission Device	PCT2501.1680.4	1	1680	根据型材选配 中心距:25mm According to the material selection Center distance: 25 mm
		PCT2501.1980.4	1	1980	
		PCT3001.1680.4	1	1680	根据型材选配 中心距:30mm According to the material selection Center distance: 30 mm
		PCT3001.1980.4	1	1980	
3	锁座 Lock holder	PCST02	4		
4	锁栓 Lock Flush	PSS02	1		分左右,根据型材配置 Left and right version.Optional.depends on the profile
5	锁座 Lock holder	PCST02	1		
6	碰锁 Sliding Spring Lock holder	PSTP01R/L	1		分左右,根据型材配置 Left and right version.Optional.depends on the profile
7	滑轮 Roller	PLTS02C-AS	2只/扇		根据型材配置 Depends on the profile
8	防撞块 Bumping Block	PFK01	4		
9	限位块 Limiter block	PFK04	1		
10	防提块 Plastic Block	PFK06	1		

● 推拉门配置说明:【图中绿色为可选项】

- 本配置最大承重 120kg, 承重取决于滑轮, 有多款可供选择。可参考推拉滑轮系列。
- 执手有多款可供选择, 具体参数见后页执手系列。
- 以上配置仅供参考, 具体请提供相关资料于公司配置。

● Sliding Door Accessories Instruction:[The green font parts are options]

- The above accessories' max loading:120KG,which depends on the hige,refer to the hinge series for option.
- Refer to the handles series for more options.
- The above accessories is only for reference,consult our technical departs.



## Multi-point Transmission Device Series 传动锁闭器

**定义：**传动锁闭器是通过转动执手对门窗实现多启闭功能的一种装置。

**主要性能指标：**

- 1、执行标准：JG/T126-2017
- 2.传动锁闭器处于锁闭位置时，在执手处锁闭方向施26N\*m力距，各零部件无任何损坏，无明显变形。
- 3.耐腐蚀NSS试验达到96小时，保护等级大于等于8级。
- 4.反复启闭30000次，各零部件无扭曲，不影响使用。
- 5.空载转动力距不大于0.2N\*m。

**使用范围：**建筑外墙内外平开窗、平开门、推拉门窗、悬窗。

**Definition:**

Transmission device is a kind of device achieved the function of window and door opening by turning handle.

**Performance index:**

1. Operating standard: JG/T126-2017
2. When transmission device is in lockup position, giving 26N\*m torque at handle lockup direction, all parts don't have any damage and deformation.
3. Corrosion resistant NSS test reach 96 hours, the degree of protection is not less than 8 grades.
4. Repeatedly opening and closing 30000 times, all the parts without distortion and don't affect use.
5. No-load rotational torque is not more than 0.2N\*m

**Scope of application:**

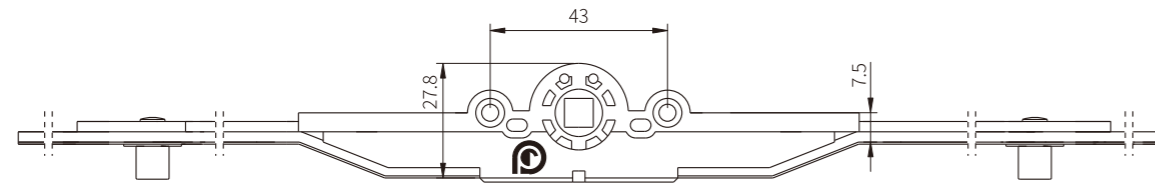
Building exterior wall inside and outside the casement Windows, casement door, sliding door and window, hang window

Crear Value  
For Construction  
为建筑创造价值

## 内开传动锁闭器

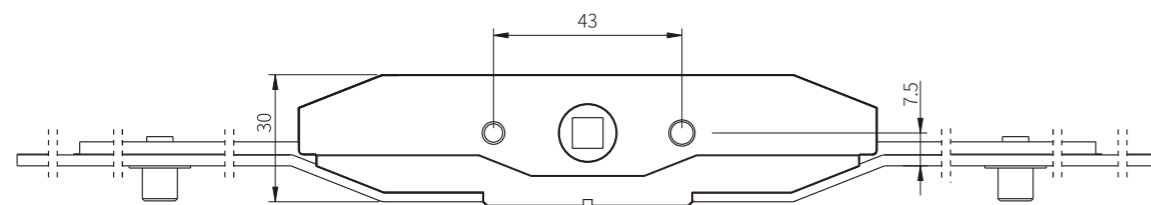
The Transmission Lock Open

内开传动锁闭器中心距 7.5mm Open lock transmission center distance within 7.5 mm



适用高度 (mm) Applicable height	五金长度 (mm) Length limited	产品编码 CODE		锁点数量 locking point	备注 Remark
		平开传动锁闭器 locking screw for casement	推拉传动锁闭器 locking screw for sliding		
400-600	400	PCQ1001.400.2	PCT1001.400.2	2	平开标配 9 系锁座: PCSK01B 标配 13 系锁座: PCSK02B 推拉标配 PCST02 锁座 Flat open The standard 9 lock block: PCSK01B With 13 system lock: PCSK02B Push and pull The standard PCST02 lock
600-800	600	PCQ1001.600.2	PCT1001.600.2	2	
800-1000	800	PCQ1001.800.2	PCT1001.800.2	2	
1000-1200	1000	PCQ1001.1000.2	PCT1001.1000.2	2	
1200-1400	1200	PCQ1001.1200.3	PCT1001.1200.3	3	
1400-1600	1400	PCQ1001.1400.3	PCT1001.1400.3	3	
1600-1800	1600	PCQ1001.1600.4	PCT1001.1600.4	4	
1800-2000	1800	PCQ1001.1800.4	PCT1001.1800.4	4	

内开双向传动锁闭器中心距 7.5mm Open lock transmission center distance within 7.5 mm

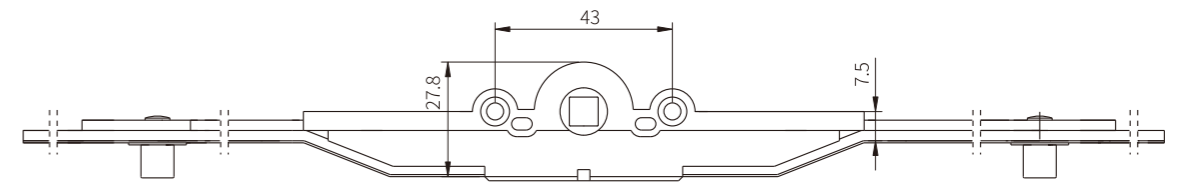


适用高度 (mm) Applicable height	五金长度 (mm) Length limited	产品编码 CODE	锁点数量 Locking point	备注 Remark
400-600	400	PCQ1002.600.2	2	标配 9 系锁座: PCSK01B 标配 13 系锁座: PCSK02B Standard 9 system lock PCSK01B With 13 system lock: PCSK02B
800-1000	800	PCQ1002.800.2	2	
1000-1200	1000	PCQ1002.1000.2	2	
1200-1400	1200	PCQ1002.1200.4	4	
1400-1600	1400	PCQ1002.1400.4	4	

## 内开传动锁闭器

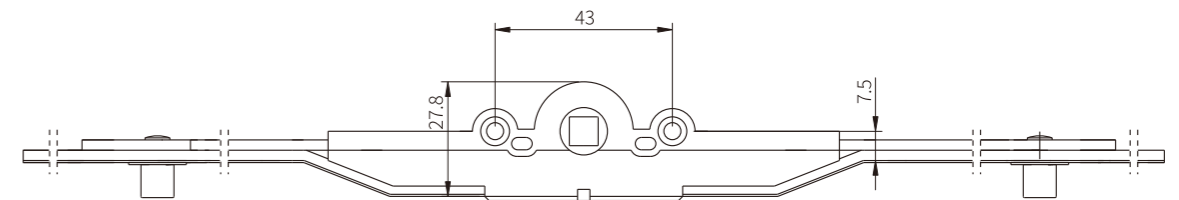
The Transmission Lock Open

内开传动锁闭器中心距 7.5mm Open lock transmission center distance within 7.5 mm



适用高度 (mm) Applicable height	五金长度 (mm) Length limited	产品编码 CODE		锁点数量 locking point	备注 Remark
		常规传动锁闭器 (含锁座) locking screw for casement	耐火传动锁闭器 (含耐火锁座) locking screw for casement		
400-600	400	PCQ1003.400.2	PCQ1003A.400.2	2	含锁座: 标配 9 系锁座: PCSK09 标配 13 系锁座: PCSK08 耐火传动 锁闭器 PCSK12 Including lock seats: standard 9 lock block: PCSK09 With 13 system lock: PCSK08 Refractory transmission lock PCSK12
600-800	600	PCQ1003.600.2	PCQ1003A.600.2	2	
800-1000	800	PCQ1003.800.2	PCQ1003A.800.2	2	
1000-1200	1000	PCQ1003.1000.3	PCQ1003A.1000.3	3	
1200-1400	1200	PCQ1003.1200.3	PCQ1003A.1200.3	3	
1400-1600	1400	PCQ1003.1400.3	PCQ1003A.1400.3	3	

内开传动锁闭器中心距 7.5mm Open lock transmission center distance within 7.5 mm



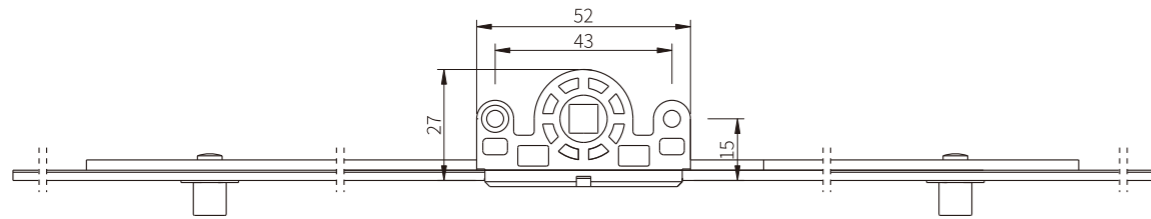
适用高度 (mm) Applicable height	五金长度 (mm) Length limited	产品编码 CODE		锁点数量 locking point	备注 Remark
		常规传动锁闭器 locking screw for casement	防撬传动锁闭器 (含锁座) locking screw for casement		
400-600	400	PCQ1004.400.2	PCQ1005.400.2	2	含锁座: 标配 9 系锁座: PCSK09A 标配 13 系锁座: PCSK08A 防撬传动锁闭器: 含 PCSK13 Including lock seats: standard 9 lock block: PCSK09 With 13 system lock: PCSK08 Refractory transmission lock PCSK12
600-800	600	PCQ1004.600.2	PCQ1005.600.2	2	
800-1000	800	PCQ1004.800.2	PCQ1005.800.2	2	
1000-1200	1000	PCQ1004.1000.3	PCQ1005.1000.2	3	
1200-1400	1200	PCQ1004.1200.3	PCQ1005.1200.3	3	
1400-1600	1400	PCQ1004.1400.3	PCQ1005.1400.3	3	



## 内开传动锁闭器

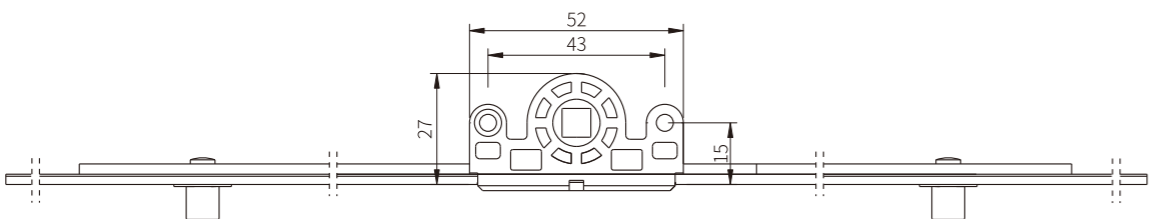
The Transmission Lock Open

内开传动锁闭器中心距 15mm Open lock transmission center distance within 15 mm



适用高度 (mm) Applicable height	五金长度 (mm) Length limited	产品编码 CODE		锁点数量 locking point	备注 Remark
		平开传动锁闭器 locking screw for casement	推拉传动锁闭器 locking screw for sliding		
400-600	400	PCQ1501.400.2	PCT1501.400.2	2	
600-800	600	PCQ1501.600.2	PCT1501.600.2	2	平开 标配 9 系锁座: PCSK01B
800-1000	800	PCQ1501.800.2	PCT1501.800.2	2	标配 13 系锁座: PCSK02B
1000-1200	1000	PCQ1501.1000.2	PCT1501.1000.2	2	推拉 标配 PCST02 锁座
1200-1400	1200	PCQ1501.1200.3	PCT1501.1200.3	3	
1400-1600	1400	PCQ1501.1400.3	PCT1501.1400.3	3	Including lock seats: standard 9 lock block: PCSK09 With 13 system lock: PCSK08 Refractory transmission lock PCSK12
1600-1800	1600	PCQ1501.1600.4	PCT1501.1600.4	4	
1800-2000	1800	PCQ1501.1800.4	PCT1501.1800.4	4	

内开传动锁闭器中心距 15mm Open lock transmission center distance within 15 mm

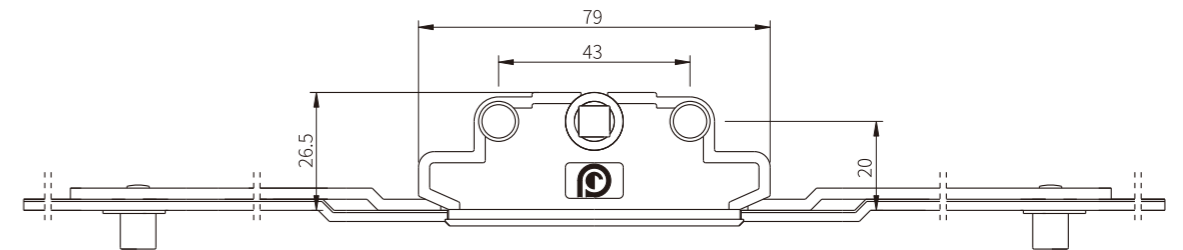


适用高度 (mm) Applicable height	五金长度 (mm) Length limited	产品编码 CODE		锁点数量 locking point	备注 Remark
		常规传动锁闭器 locking screw for casement	防撞传动锁闭器 (含锁座) locking screw for casement		
400-600	400	PCQ1502.400.2	PCQ1503.400.2	2	含锁座: 标配 9 系锁座: PCSK09A
600-800	600	PCQ1502.600.2	PCQ1503.600.2	2	标配 13 系锁座: PCSK08A
800-1000	800	PCQ1502.800.2	PCQ1503.800.2	2	防撞传动锁闭器: 含 PCSK13
1000-1200	1000	PCQ1502.1000.3	PCQ1503.1000.2	3	Including lock seats: Standard
1200-1400	1200	PCQ1502.1200.3	PCQ1503.1200.3	3	9 system lock PCSK09A With 13 system lock: PCSK08A The
1400-1600	1400	PCQ1502.1400.3	PCQ1503.1400.3	3	lever transmission lock: including PCSK13

## 外开传动锁闭器

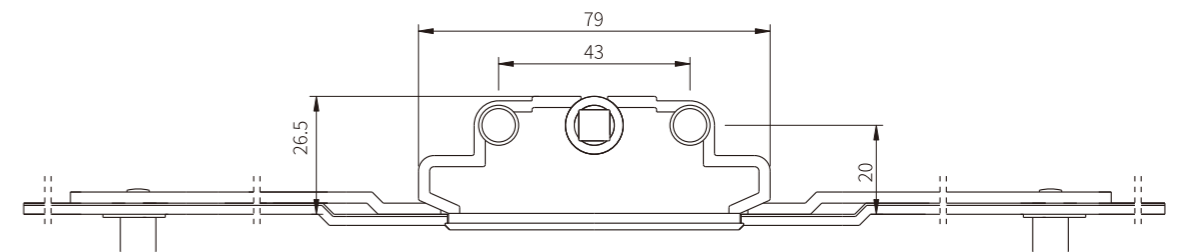
The Transmission Lock Open

外开传动锁闭器中心距 20mm Open lock transmission center distance within 20 mm



适用高度 (mm) Applicable height	五金长度 (mm) Length limited	产品编码 CODE	锁点数量 Locking point	备注 Remark
400-600	400	PCQ2001.400.2	2	标配 9 系锁座: PCSK01B
600-800	600	PCQ2001.600.2	2	标配 13 系锁座: PCSK02B
800-1000	800	PCQ2001.800.2	2	
1000-1200	1000	PCQ2001.1000.2	2	The standard 9 lock block: PCSK01B With 13 system lock: PCSK02B
1200-1400	1200	PCQ2001.1200.3	3	
1400-1600	1400	PCQ2001.1400.3	3	

外开传动锁闭器中心距 20mm Open lock transmission center distance within 20 mm

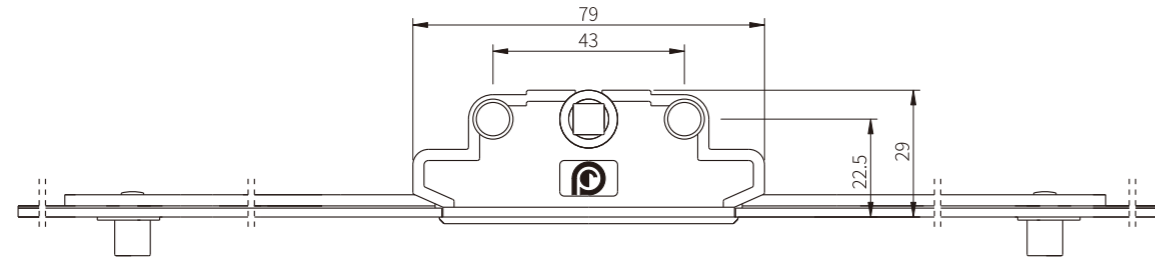


适用高度 (mm) Applicable height	五金长度 (mm) Length limited	产品编码 CODE	锁点数量 Locking point	备注 Remark
400-600	400	PCQ2003.400.2	2	
600-800	600	PCQ2003.600.2	2	外开传动器含锁座: 标配 9 系锁座: PCSK09
800-1000	800	PCQ2003.800.2	2	标配 13 系锁座: PCSK08
1000-1200	1000	PCQ2003.1000.2	2	The standard 9 lock block: PCSK09 With 13 system lock: PCSK08
1200-1400	1200	PCQ2003.1200.3	3	
1400-1600	1400	PCQ2003.1400.3	3	

## 外开传动锁闭器

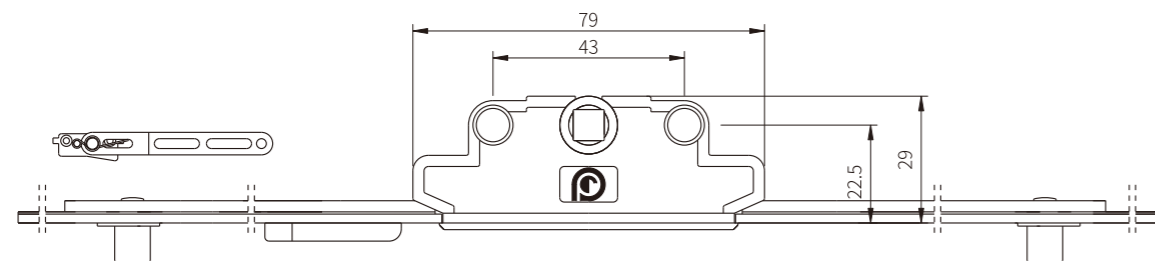
The Transmission Lock Open

外开传动锁闭器中心距 22.5mm Open lock transmission center distance within 22.5 mm



适用高度 (mm) Applicable height	五金长度 (mm) Length limited	产品编码 CODE	锁点数量 Locking point	备注 Remark
400-600	400	PCQ2201.400.2	2	标配 9 系锁座: PCSK01B 标配 13 系锁座: PCSK02B The standard 9 lock block: PCSK01B With 13 system lock: PCSK02B
600-800	600	PCQ2201.600.2	2	
800-1000	800	PCQ2201.800.2	2	
1000-1200	1000	PCQ2201.1000.2	2	
1200-1400	1200	PCQ2201.1200.3	3	
1400-1600	1400	PCQ2201.1400.3	3	
1600-1800	1600	PCQ2201.1600.4	4	
1800-2000	1800	PCQ2201.1800.4	4	

外开传动锁闭器中心距 22.5mm Open lock transmission center distance within 22.5mm

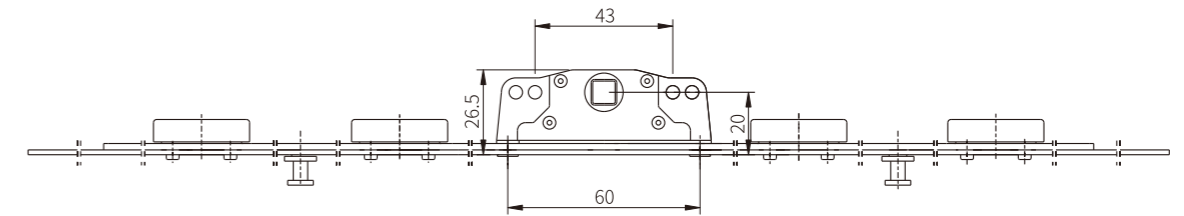


适用高度 (mm) Applicable height	五金长度 (mm) Length limited	产品编码 CODE	锁点数量 Locking point	备注 Remark
800-1000	800	PCQ2202L.800.2	2	定点限位传动器 标配 9 系锁座: PCSK01B 标配 13 系锁座: PCSK02B The standard 9 lock block: PCSK01B With 13 system lock: PCSK02B
		PCQ2202R.800.2	2	
1000-1200	1000	PCQ2202L.1000.2	2	
		PCQ2202R.1000.2	2	
1200-1400	1200	PCQ2202L.1200.3	3	
		PCQ2202R.1200.3	3	
1400-1600	1400	PCQ2202L.1400.3	3	
		PCQ2202R.1400.3	3	

## 推拉传动锁闭器

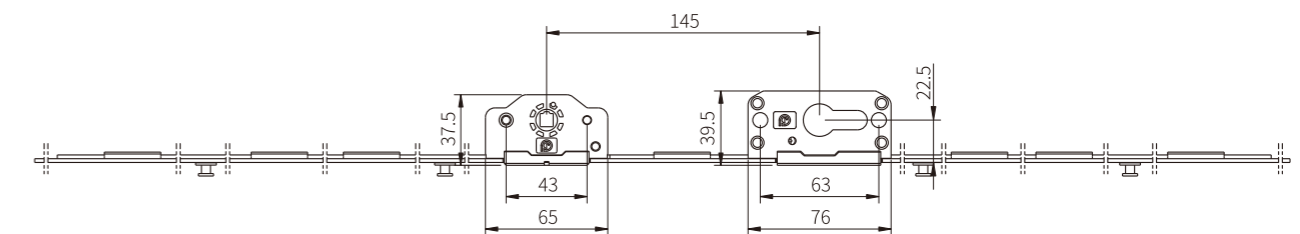
The Transmission Lock Open

推拉传动锁闭器中心距 20mm Open lock transmission center distance within 20 mm



适用高度 (mm) Applicable height	五金长度 (mm) Length limited	产品编码 CODE	锁点数量 Locking point	备注 Remark
800-1000	800	PCT2002.800.2	2	标配锁座: PCST04 The standard lock PCST04
1000-1200	1600	PCT2002.1600.4	4	

推拉传动锁闭器中心距 22.5mm Open lock transmission center distance within 22.5 mm

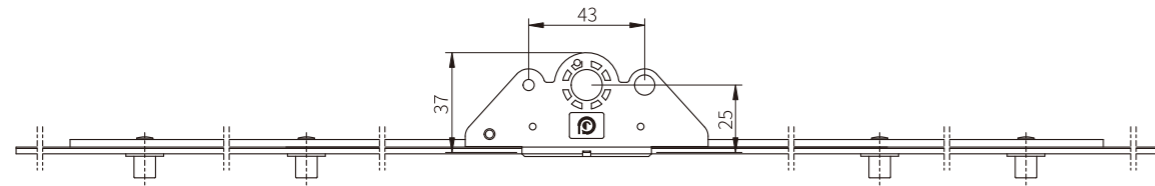


适用高度 (mm) Applicable height	五金长度 (mm) Length limited	产品编码 CODE	锁点数量 Locking point	备注 Remark
1000-1200	1200	PCT2203.1200.2	2	标配锁座: PCST02/PCST03 The standard lock block: PCST02 / PCST03
1200-1400	1400	PCT2203.1400.2	2	
1400-1600	1600	PCT2203.1600.2	2	
1600-1800	1800	PCT2203.1800.2	2	

## 门用传动锁闭器

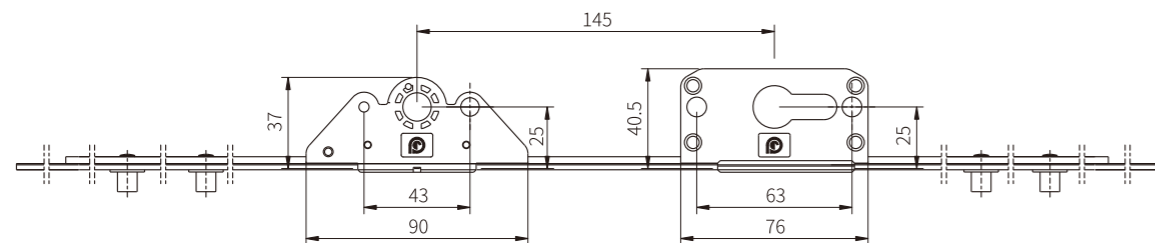
The Transmission Lock Open

门用传动锁闭器中心距 25mm Open lock transmission center distance within 25 mm



适用高度 (mm) Applicable height	五金长度 (mm) Length limited	产品编码 CODE		锁点数量 locking point	备注 Remark
		平开 (无锁) 传动锁闭器 locking screw for casement	推拉 (无锁) 传动锁闭器 locking screw for casement		
1800-2100	1680	PCQ2501.1680.4	PCT2501.1680.4	4	平开标配锁座: PCSK01B/PCSK02B 推拉标配锁座: PCST02/PCST03 Flat opening bids with lock PCSK01B/PCSK02B Push-pull standard lock that PCST02 / PCST03
2100-2400	1980	PCQ2501.1980.4	PCT2501.1980.4	4	

门用传动锁闭器中心距 25mm Open lock transmission center distance within 25 mm

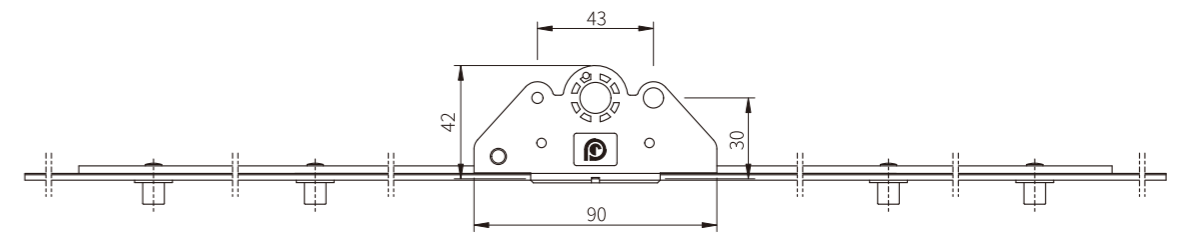


适用高度 (mm) Applicable height	五金长度 (mm) Length limited	产品编码 CODE		锁点数量 locking point	备注 Remark
		平开 (带锁) 传动锁闭器 locking screw for casement	推拉 (带锁) 传动锁闭器 locking screw for casement		
1800-2100	1680	PCQ2501A.1680.4	PCT2501A.1680.4	4	平开标配锁座: PCSK01B/PCSK02B 推拉标配锁座: PCST02/PCST03 Flat opening bids with lock PCSK01B/PCSK02B Push-pull standard lock that PCST02 / PCST03
2100-2400	1980	PCQ2501A.1980.4	PCT2501A.1980.4	4	

## 门用传动锁闭器

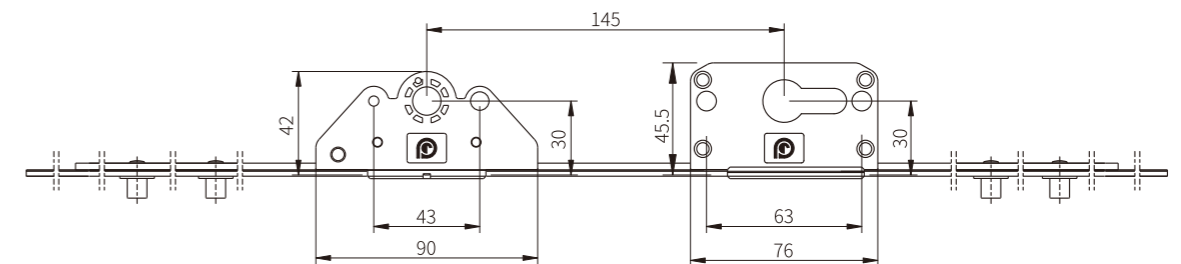
The Transmission Lock Open

门用传动锁闭器中心距 30mm Open lock transmission center distance within 30 mm



适用高度 (mm) Applicable height	五金长度 (mm) Length limited	产品编码 CODE		锁点数量 locking point	备注 Remark
		平开 (无锁) 传动锁闭器 locking screw for casement	推拉 (无锁) 传动锁闭器 locking screw for casement		
1800-2100	1680	PCQ3001.1680.4	PCT3001.1680.4	4	平开标配锁座: PCSK01B/PCSK02B 推拉标配锁座: PCST02/PCST03 Flat opening bids with lock PCSK01B/PCSK02B Push-pull standard lock that PCST02 / PCST03
2100-2400	1980	PCQ3001.1980.4	PCT3001.1980.4	4	

门用传动锁闭器中心距 30mm Open lock transmission center distance within 30 mm

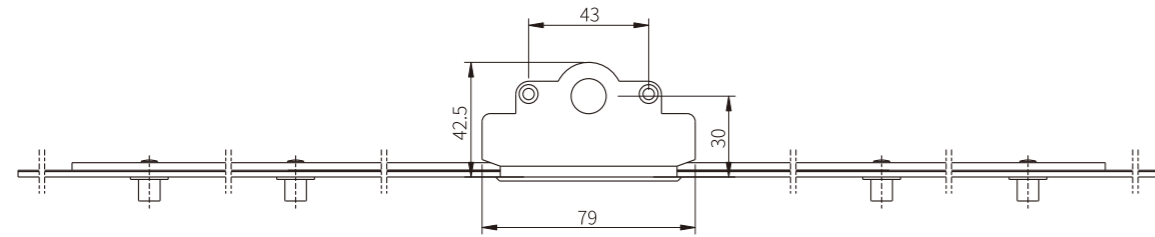


适用高度 (mm) Applicable height	五金长度 (mm) Length limited	产品编码 CODE		锁点数量 locking point	备注 Remark
		平开 (带锁) 传动锁闭器 locking screw for casement	推拉 (带锁) 传动锁闭器 locking screw for casement		
1800-2100	1680	PCQ3001A.1680.4	PCT3001A.1680.4	4	平开标配锁座: PCSK01B/PCSK02B 推拉标配锁座: PCST02/PCST03 Flat opening bids with lock PCSK01B/PCSK02B Push-pull standard lock that PCST02 / PCST03
2100-2400	1980	PCQ3001A.1980.4	PCT3001A.1980.4	4	

## 门用传动锁闭器

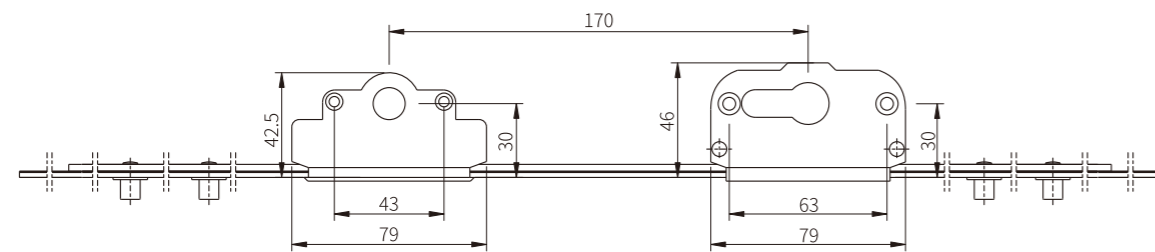
The Transmission Lock Open

门用传动锁闭器中心距 30mm Open lock transmission center distance within 30 mm



适用高度 (mm) Applicable height	五金长度 (mm) Length limited	产品编码 CODE	锁点数量 Locking point	备注 Remark
1800-2000	1600	PCQ3002.1600.4	4	平开标配锁座: 9系: PCSK09 13系: PCSK08 The bid opening with a lock, 9: PCSK09 13: PCSK08
2000-2200	1800	PCQ3002.1800.4	4	
2200-2400	2000	PCQ3002.2000.4	4	

门用传动锁闭器中心距 30mm Open lock transmission center distance within 30 mm

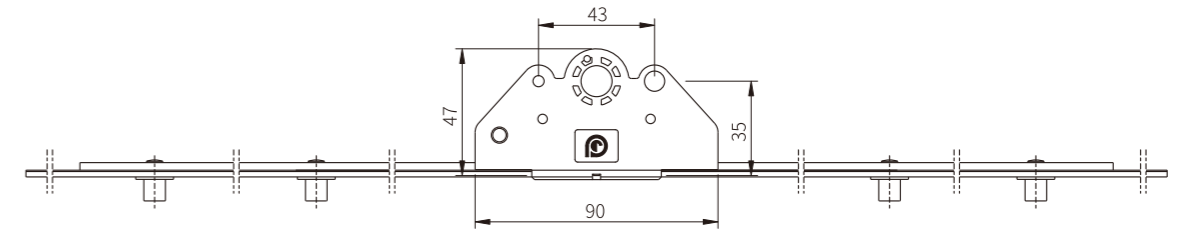


适用高度 (mm) Applicable height	五金长度 (mm) Length limited	产品编码 CODE	锁点数量 Locking point	备注 Remark
1800-2000	1600	PCQ3002A.1600.4	4	平开标配锁座: 9系: PCSK09 13系: PCSK08 The bid opening with a lock, 9: PCSK09 13: PCSK08
2000-2200	1800	PCQ3002A.1800.4	4	

## 门用传动锁闭器

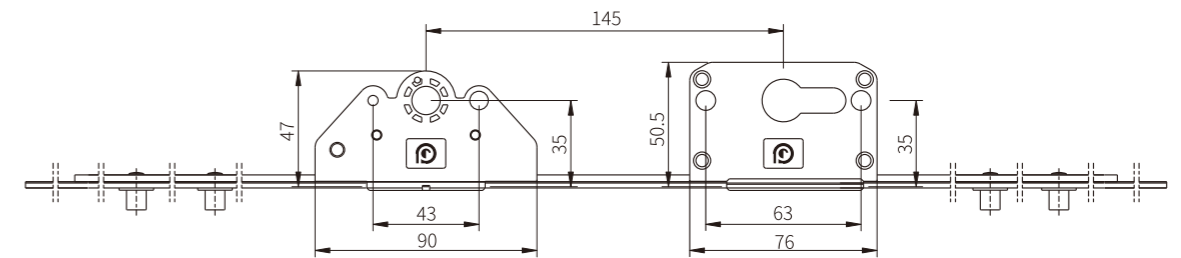
The Transmission Lock Open

门用传动锁闭器中心距 35mm Open lock transmission center distance within 35 mm



适用高度 (mm) Applicable height	五金长度 (mm) Length limited	产品编码 CODE		锁点数量 locking point	备注 Remark
		平开 (无锁) 传动锁闭器 locking screw for casement	推拉 (无锁) 传动锁闭器 locking screw for casement		
1800-2100	1680	PCQ3501.1680.4	PCT3501.1680.4	4	平开标配锁座: PCSK01B/PCSK02B 推拉标配锁座: PCST02/PCST03 Flat opening bids with lock PCSK01B/PCSK02B Push-pull standard lock that PCST02/PCST03
2100-2400	1980	PCQ3501.1980.4	PCT3501.1980.4	4	

门用传动锁闭器中心距 35mm Open lock transmission center distance within 35 mm

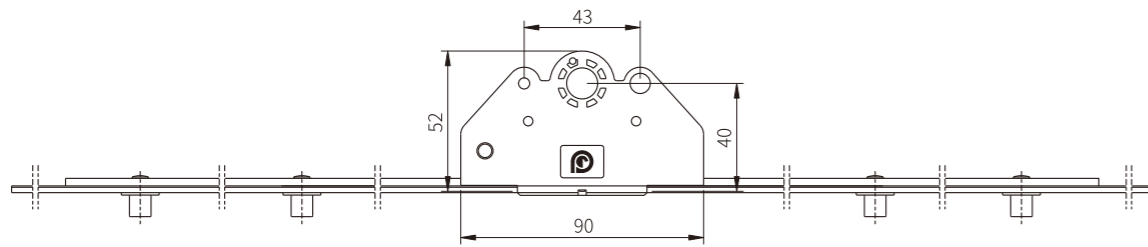


适用高度 (mm) Applicable height	五金长度 (mm) Length limited	产品编码 CODE		锁点数量 locking point	备注 Remark
		平开 (带锁) 传动锁闭器 locking screw for casement	推拉 (带锁) 传动锁闭器 locking screw for casement		
1800-2100	1680	PCQ3501A.1680.4	PCT3501A.1680.4	4	平开标配锁座: PCSK01B/PCSK02B 推拉标配锁座: PCST02/PCST03 Flat opening bids with lock PCSK01B/PCSK02B Push-pull standard lock that PCST02/PCST03
2100-2400	1980	PCQ3501A.1980.4	PCT3501A.1980.4	4	

## 门用传动锁闭器

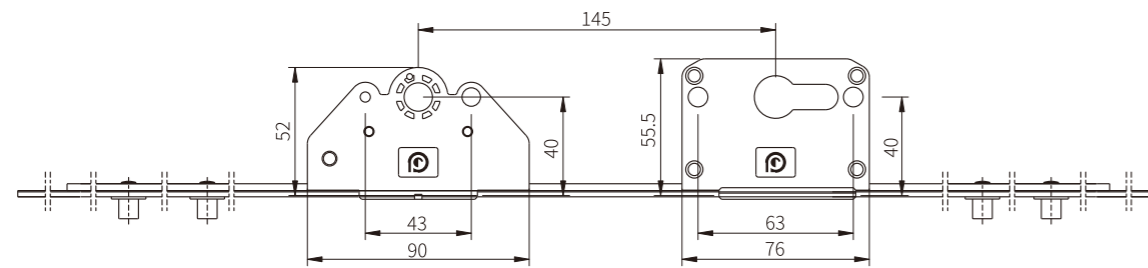
The Transmission Lock Open

门用传动锁闭器中心距 40mm    Open lock transmission center distance within 40 mm



适用高度 (mm) Applicable height	五金长度 (mm) Length limited	产品编码 CODE		锁点数量 locking point	备注 Remark
		平开 (无锁) 传动锁闭器 locking screw for casement	推拉 (无锁) 传动锁闭器 locking screw for casement		
1800-2100	1680	PCQ4001.1680.4	PCT4001.1680.4	4	平开标配锁座: PCSK01B/PCSK02B 推拉标配锁座: PCST02/PCST03
2100-2400	1980	PCQ4001.1980.4	PCT4001.1980.4	4	平开标配锁座: PCSK01B/PCSK02B 推拉标配锁座: PCST02 / PCST03

门用传动锁闭器中心距 40mm    Open lock transmission center distance within 40 mm



适用高度 (mm) Applicable height	五金长度 (mm) Length limited	产品编码 CODE		锁点数量 locking point	备注 Remark
		平开 (带锁) 传动锁闭器 locking screw for casement	推拉 (带锁) 传动锁闭器 locking screw for casement		
1800-2100	1680	PCQ4001A.1680.4	PCT4001A.1680.4	4	平开标配锁座: PCSK01B/PCSK02B 推拉标配锁座: PCST02/PCST03
2100-2400	1980	PCQ4001A.1980.4	PCT4001A.1980.4	4	平开标配锁座: PCSK01B/PCSK02B 推拉标配锁座: PCST02 / PCST03



Creat Value  
For Construction  
为建筑创造价值



## Multi-point Handle Series 传动机构用执手

**定义:** 驱动传动锁闭器,多点锁闭器,实现门窗扇启闭的操纵装置。

**主要性能指标:**

- 1、执行标准: JG/T124-2017
2. 反复启闭30000次后, 距离转动轴心100mm处手柄轴向旷动量小于5mm。
3. 空载操作力不大于40N,操作力不大于40N,操作力矩不大于2N·m。
4. 在600N拉力作用下手柄转动功能正常, 部件无损坏。
5. 转动执手, 非弹力点转动力距0.2-0.5N·m, 弹力点转动力距0.7-1N·m。

**使用范围:** 建筑外墙中的内外平开窗、悬窗、推拉门窗、平开门等。

**Definition:**

A kind of controlling device to drive up transmission devices, multi-point locking devices and achieving the opening and closing of doors and windows frame control device.

**Performance index:**

1. Operating standard: JG/T124-2017
2. After repeatedly opening and closing 30000 times, 100 mm distance axis of rotation handle axial momentum is less than 5 mm.
3. Torque less than 40N no-load operation, the operation strength is less than 40N, operating torque is not greater than 2N.m.
4. Under the 600 N pull handle rotation function is normal, no damage.
5. Turning handle, non-elastic point of rotation torque 0.2-0.5N·m, stretch the point of rotation torque 0.7-1N·m.

**Scope of application:**

Building exterior wall inside and outside the casement Windows, hang window, sliding door and window, casement door,

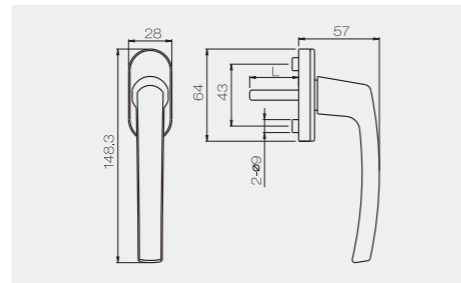
## 内开执手系列

Open Hand In Series



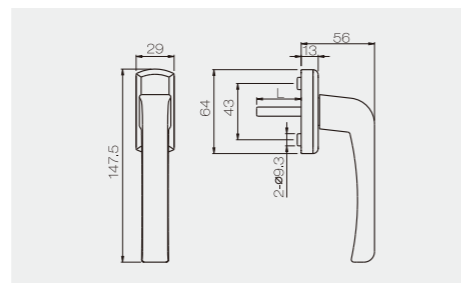
### PCZ01

- 常规方轴规格: 7mmx7mm
- 方轴外露长度 (L): 34mm
- 使用于 9 系列型材时配 M5x40mm 螺丝
- 使用于 13 系列型材时配 M5x45mm 螺丝
- Regular square shaft specifications: 7 mmx7mm
- Square shaft exposed length: 34 mm
- When used in series 9 profiles with M5x40mm screw
- When used in 13 series profiles with M5x45mm screw



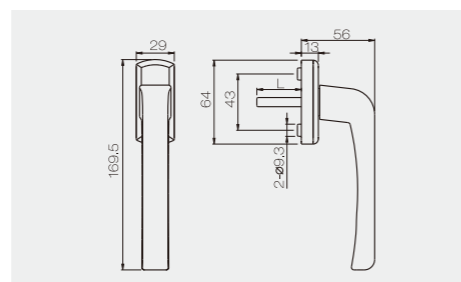
### PCZ04

- 常规方轴规格: 7mmx7mm
- 方轴外露长度 (L): 34mm
- 使用于 9 系列型材时配 M5x40mm 螺丝
- 使用于 13 系列型材时配 M5x45mm 螺丝
- Regular square shaft specifications: 7 mmx7mm
- Square shaft exposed length: 34 mm
- When used in series 9 profiles with M5x40mm screw
- When used in 13 series profiles with M5x45mm screw



### PCZ05

- 常规方轴规格: 7mmx7mm
- 方轴外露长度 (L): 34mm
- 使用于 9 系列型材时配 M5x40mm 螺丝
- 使用于 13 系列型材时配 M5x45mm 螺丝
- Regular square shaft specifications: 7 mmx7mm
- Square shaft exposed length: 34 mm
- When used in series 9 profiles with M5x40mm screw
- When used in 13 series profiles with M5x45mm screw



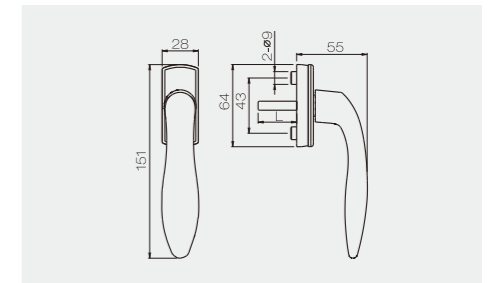
## 内开执手系列

Open Hand In Series



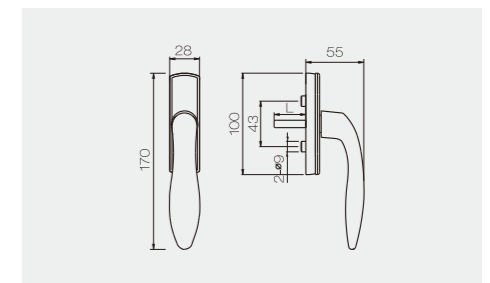
### PCZ07

- 常规方轴规格: 7mmx7mm
- 方轴外露长度 (L): 30mm/35mm
- 使用于 9 系列型材时配 M5x40mm 螺丝
- 使用于 13 系列型材时配 M5x45mm 螺丝
- Regular square shaft specifications: 7mmx7mm
- Square shaft exposed length: 30mm/35mm
- When used in series 9 profiles with M5x40mm screw
- When used in 13 series profiles with M5x45mm screw



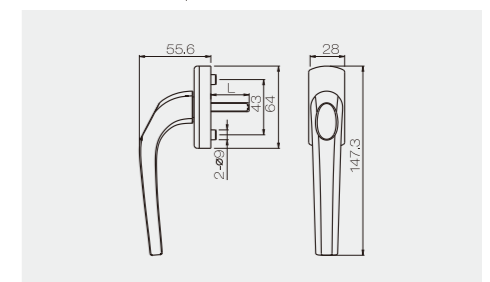
### PCZ08

- 常规方轴规格: 7mmx7mm
- 方轴外露长度 (L): 30mm/35mm
- 使用于 9 系列型材时配 M5x40mm 螺丝
- 使用于 13 系列型材时配 M5x45mm 螺丝
- Regular square shaft specifications: 7mmx7mm
- Square shaft exposed length: 30mm/35mm
- When used in series 9 profiles with M5x40mm screw
- When used in 13 series profiles with M5x45mm screw



### PCZ11

- 常规方轴规格: 7mmx7mm
- 方轴外露长度 (L): 30mm/35mm
- 使用于 9 系列型材时配 M5x40mm 螺丝
- 使用于 13 系列型材时配 M5x45mm 螺丝
- Regular square shaft specifications: 7mmx7mm
- Square shaft exposed length: 30mm/35mm
- When used in series 9 profiles with M5x40mm screw
- When used in 13 series profiles with M5x45mm screw

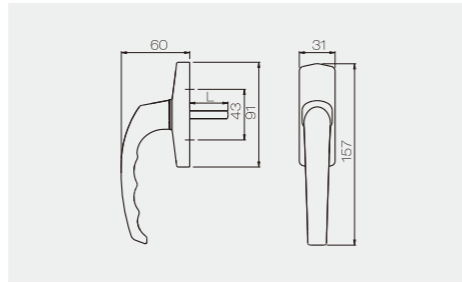


## 内开执手系列

Open Hand In Series

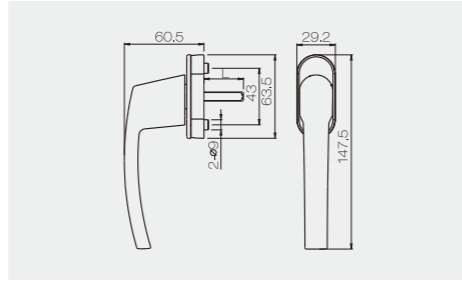
### PCZ12

- 常规方轴规格: 7mmx7mm
- 方轴外露长度 (L): 30mm/35mm
- 使用于 9 系列型材时配 M5x40mm 螺丝
- 使用于 13 系列型材时配 M5x45mm 螺丝
- Regular square shaft specifications: 7mmx7mm
- Square shaft exposed length: 30mm/35mm
- When used in series 9 profiles with M5x40mm screw
- When used in 13 series profiles with M5x45mm screw



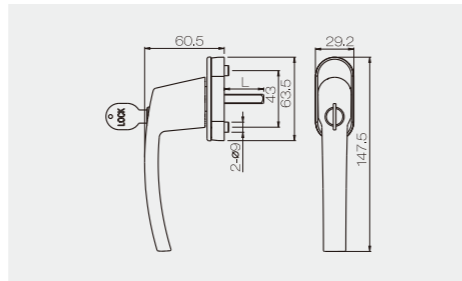
### PCZ13

- 常规方轴规格: 7mmx7mm
- 方轴外露长度 (L): 30mm/35mm
- 使用于 9 系列型材时配 M5x40mm 螺丝
- 使用于 13 系列型材时配 M5x45mm 螺丝
- Regular square shaft specifications: 7mmx7mm
- Square shaft exposed length: 30mm/35mm
- When used in series 9 profiles with M5x40mm screw
- When used in 13 series profiles with M5x45mm screw



### PCZ13B

- 常规方轴规格: 7mmx7mm
- 方轴外露长度 (L): 30mm/35mm
- 使用于 9 系列型材时配 M5x40mm 螺丝
- 使用于 13 系列型材时配 M5x45mm 螺丝
- Regular square shaft specifications: 7mmx7mm
- Square shaft exposed length: 30mm/35mm
- When used in series 9 profiles with M5x40mm screw
- When used in 13 series profiles with M5x45mm screw

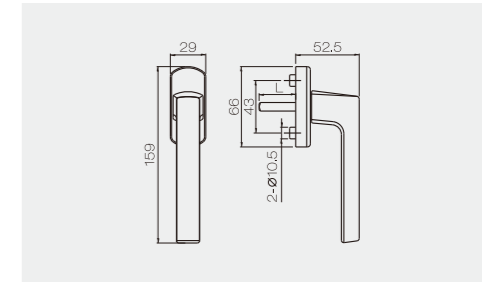


## 内开执手系列

Open Hand In Series

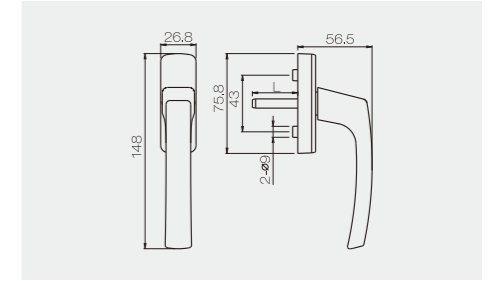
### PCZ17

- 常规方轴规格: 7mmx7mm
- 方轴外露长度 (L): 30mm/35mm
- 使用于 9 系列型材时配 M5x40mm 螺丝
- 使用于 13 系列型材时配 M5x45mm 螺丝
- Regular square shaft specifications: 7mmx7mm
- Square shaft exposed length: 34 mm
- When used in series 9 profiles with M5x40mm screw
- When used in 13 series profiles with M5x45mm screw



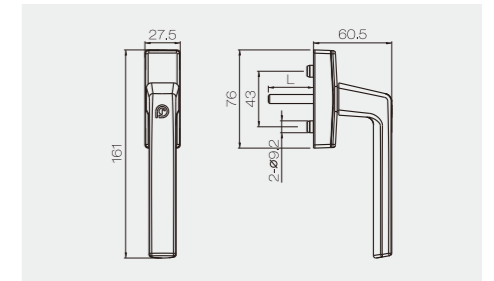
### PCZ18

- 常规方轴规格: 7mmx7mm
- 方轴外露长度 (L): 34mm
- 使用于 9 系列型材时配 M5x40mm 螺丝
- 使用于 13 系列型材时配 M5x45mm 螺丝
- Regular square shaft specifications: 7mmx7mm
- Square shaft exposed length: 34 mm
- When used in series 9 profiles with M5x40mm screw
- When used in 13 series profiles with M5x45mm screw



### PCZ26

- 常规方轴规格: 7mmx7mm
- 方轴外露长度 (L): 30mm/35mm
- 使用于 9 系列型材时配 M5x40mm 螺丝
- 使用于 13 系列型材时配 M5x45mm 螺丝
- Regular square shaft specifications: 7mmx7mm
- Square shaft exposed length: 30 mm/35mm
- When used in series 9 profiles with M5x40mm screw
- When used in 13 series profiles with M5x45mm screw





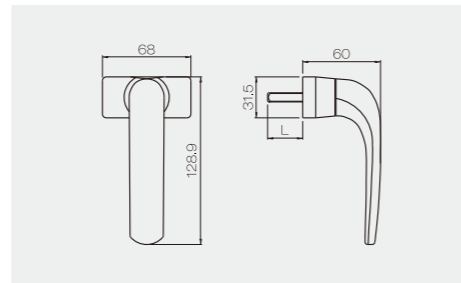
## 内开执手系列

Open Hand In Series



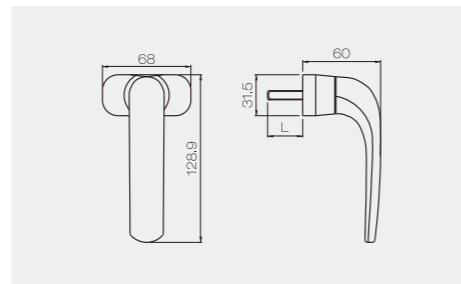
### PCZM02

- 复位执手
- 常规方轴规格: 8mmx8mm
- 方轴外露长度: 根据实际型材而定
- Resetting handle
- Regular square shaft specifications: 8mmx8mm
- Square shaft exposed length: Configured in accordance with the actual profile



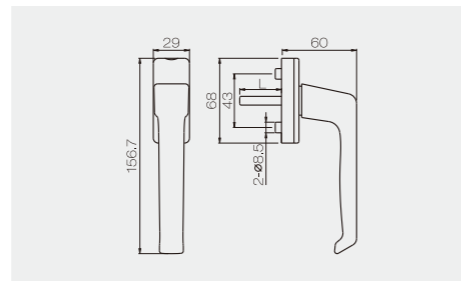
### PCZM03

- 复位执手
- 方轴规格: 8mmx8mm
- 方轴外露长度: 根据实际型材而定
- Resetting handle
- square shaft specifications: 8mmx8mm
- Square shaft exposed length: Configured in accordance with the actual profile



### CZ25A

- 常规方轴规格: 7mmx7mm
- 方轴外露长度 (L): 34mm
- 使用于 9 系列型材时配 M5x40mm 螺丝
- 使用于 13 系列型材时配 M5x45mm 螺丝
- Regular square shaft specifications: 7mmx7mm
- Square shaft exposed length: 34 mm
- When used in series 9 profiles with M5x40mm screw
- When used in 13 series profiles with M5x45mm screw



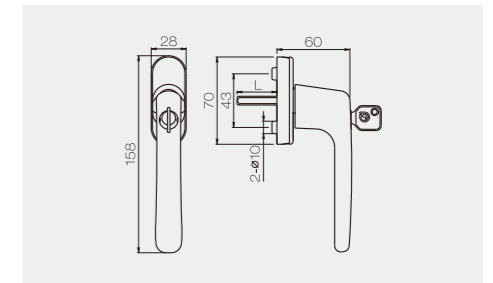
## 内开执手系列

Open Hand In Series



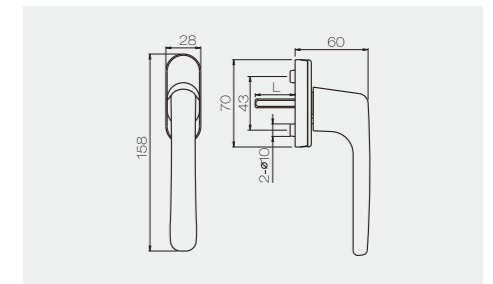
### CZ26

- 常规方轴规格: 7mmx7mm
- 方轴外露长度 (L): 34mm
- 使用于 9 系列型材时配 M5x40mm 螺丝
- 使用于 13 系列型材时配 M5x45mm 螺丝
- Regular square shaft specifications: 7mmx7mm
- Square shaft exposed length: 34 mm
- When used in series 9 profiles with M5x40mm screw
- When used in 13 series profiles with M5x45mm screw



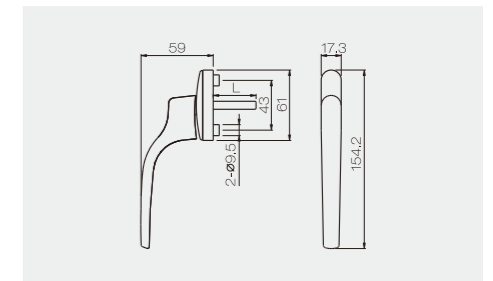
### CZ26B

- 常规方轴规格: 7mmx7mm
- 方轴外露长度 (L): 34mm
- 使用于 9 系列型材时配 M5x40mm 螺丝
- 使用于 13 系列型材时配 M5x45mm 螺丝
- Regular square shaft specifications: 7mmx7mm
- Square shaft exposed length: 34 mm
- When used in series 9 profiles with M5x40mm screw
- When used in 13 series profiles with M5x45mm screw



### PCZ02/PCZ02A

- 外开执手
- 常规方轴规格: 7mmx7mm
- 方轴外露长度 (L): 40mm/45mm
- 配 M5x50/55mm 螺丝
- Outward opening handle
- Regular square shaft specifications: 7 mmx7mm
- Square shaft exposed length: 40mm/45mm
- With M5x50/55mm screws

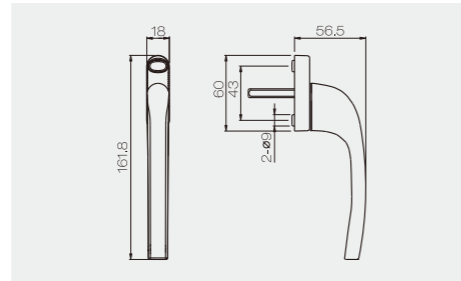




## 外开执手系列 Open Hand In Series

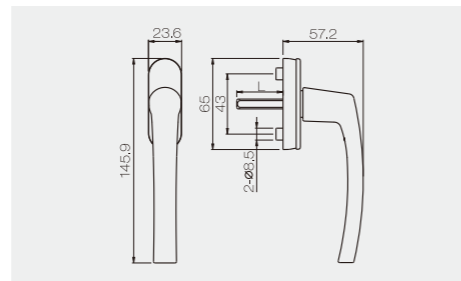
### CZ11A

- 外开执手
- 常规方轴规格: 7mmx7mm
- 方轴外露长度 (L): 40mm/45mm
- 配 M5x50/55mm 螺丝
- Outward opening handle
- Regular square shaft specifications: 7 mmx7mm
- Square shaft exposed length: 40mm/45mm
- With M5x50/55mm screws



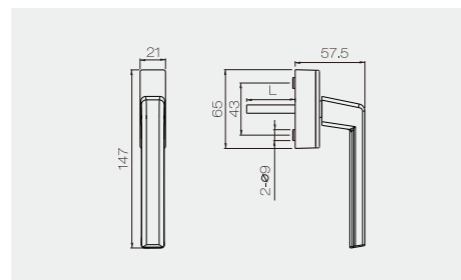
### CZ19D

- 外开执手
- 常规方轴规格: 7mmx7mm
- 方轴外露长度 (L): 40mm/45mm
- 配 M5x50/55mm 螺丝
- Outward opening handle
- Regular square shaft specifications: 7 mmx7mm
- Square shaft exposed length: 40mm/45mm
- With M5x50/55mm screws



### PCZ28

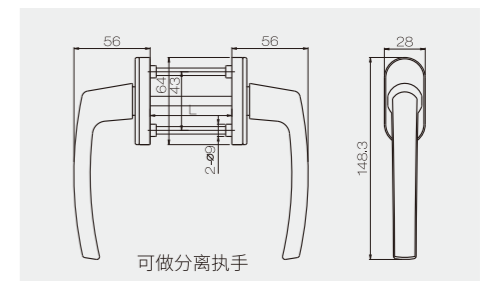
- 外开执手
- 常规方轴规格: 7mmx7mm
- 方轴外露长度 (L): 40mm/45mm
- 配 M5x55/60mm 螺丝
- Outward opening handle
- Regular square shaft specifications: 7 mmx7mm
- Square shaft exposed length: 40mm/45mm
- With M5x55/60mm screws



## 双面执手系列 Open Hand In Series

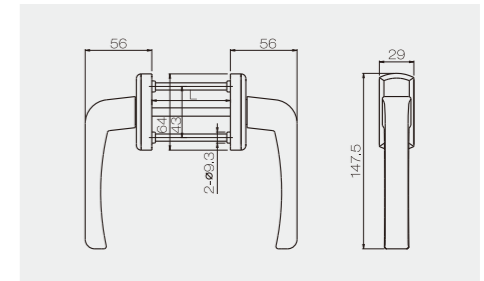
### PCZ01A

- 常规方轴规格: 7mmx7mm
- 方轴总长度 (L): 按实际扇型材厚度
- 螺丝规格 M5: 长度按实际扇型材厚度
- 适用范围: 平开门, 推拉门, 配合多点传动锁闭器使用
- Regular square shaft specifications: 7 mmx7mm
- Square shaft total length (L): according to the actual fan section thickness
- The M5 screw specification: length according to the actual fan material thickness
- Scope of application: open the door, sliding door, use with multi-point transmission lock



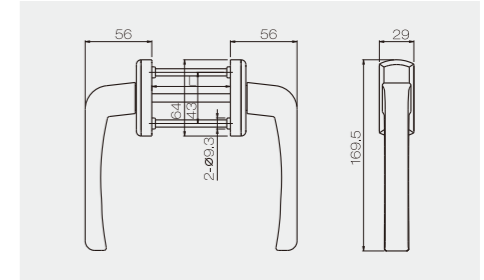
### PCZ04A

- 常规方轴规格: 7mmx7mm
- 方轴总长度 (L): 按实际扇型材厚度
- 螺丝规格 M5: 长度按实际扇型材厚度
- 适用范围: 平开门, 推拉门, 配合多点传动锁闭器使用
- Regular square shaft specifications: 7 mmx7mm
- Square shaft total length (L): according to the actual fan section thickness
- The M5 screw specification: length according to the actual fan material thickness
- Scope of application: open the door, sliding door, use with multi-point transmission lock



### PCZ05A

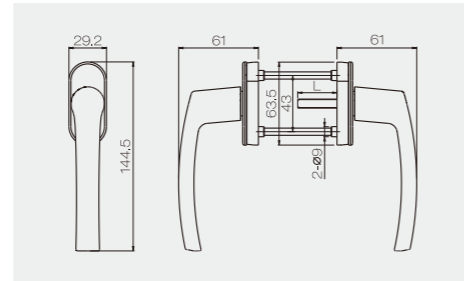
- 常规方轴规格: 7mmx7mm
- 方轴总长度 (L): 按实际扇型材厚度
- 螺丝规格 M5: 长度按实际扇型材厚度
- 适用范围: 平开门, 推拉门, 配合多点传动锁闭器使用
- Regular square shaft specifications: 7 mmx7mm
- Square shaft total length (L): according to the actual fan section thickness
- The M5 screw specification: length according to the actual fan material thickness
- Scope of application: open the door, sliding door, use with multi-point transmission lock



## 双面执手系列 Open Hand In Series

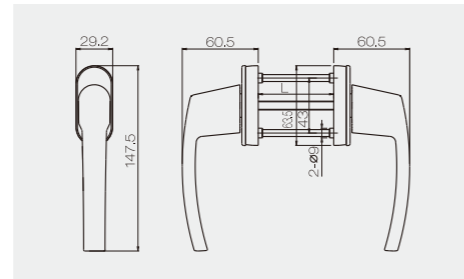
### PCZ06C

- 常规方轴规格: 7mmx7mm
- 方轴外露长度 (L): 30mm/35mm
- 螺丝规格 M5: 长度按实际扇型材厚度
- 适用范围: 平开门, 推拉门, 配合多点传动锁闭器使用
- Regular square shaft specifications: 7 mmx7mm
- Exposed length of square shaft (L): 30mm/35mm
- The M5 screw specification: length according to the actual fan material thickness
- Scope of application: open the door, sliding door, use with multi-point transmission lock



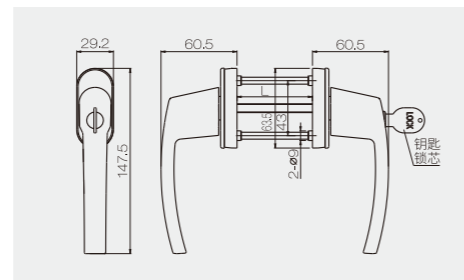
### PCZ13A

- 常规方轴规格: 7mmx7mm
- 方轴总长度 (L): 按实际扇型材厚度
- 螺丝规格 M5: 长度按实际扇型材厚度
- 适用范围: 平开门, 推拉门, 配合多点传动锁闭器使用
- Regular square shaft specifications: 7 mmx7mm
- Square shaft total length (L): according to the actual fan section thickness
- The M5 screw specification: length according to the actual fan material thickness
- Scope of application: open the door, sliding door, use with multi-point transmission lock



### PCZ13C

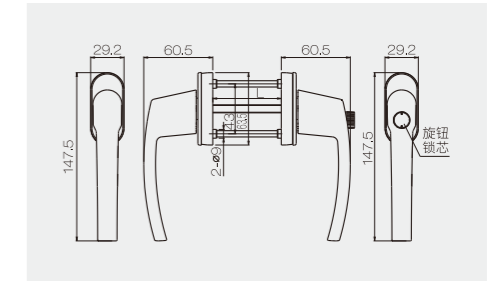
- 常规方轴规格: 7mmx7mm
- 方轴总长度 (L): 按实际扇型材厚度
- 螺丝规格 M5: 长度按实际扇型材厚度
- 适用范围: 平开门, 推拉门, 配合多点传动锁闭器使用
- Regular square shaft specifications: 7 mmx7mm
- Square shaft total length (L): according to the actual fan section thickness
- The M5 screw specification: length according to the actual fan material thickness
- Scope of application: open the door, sliding door, use with multi-point transmission lock



## 双面执手系列 Open Hand In Series

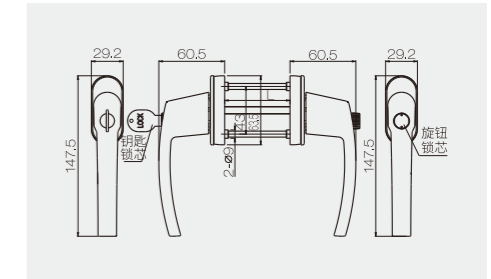
### PCZ13D

- 常规方轴规格: 7mmx7mm
- 方轴总长度 (L): 按实际扇型材厚度
- 螺丝规格 M5: 长度按实际扇型材厚度
- 适用范围: 平开门, 推拉门, 配合多点传动锁闭器使用
- Regular square shaft specifications: 7 mmx7mm
- Square shaft total length (L): according to the actual fan section thickness
- The M5 screw specification: length according to the actual fan material thickness
- Scope of application: open the door, sliding door, use with multi-point transmission lock



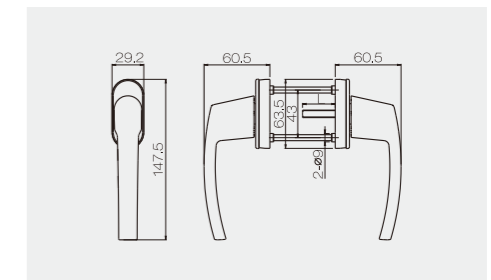
### PCZ13E

- 常规方轴规格: 7mmx7mm
- 方轴总长度 (L): 按实际扇型材厚度
- 螺丝规格 M5: 长度按实际扇型材厚度
- 适用范围: 平开门, 推拉门, 配合多点传动锁闭器使用
- Regular square shaft specifications: 7 mmx7mm
- Square shaft total length (L): according to the actual fan section thickness
- The M5 screw specification: length according to the actual fan material thickness
- Scope of application: open the door, sliding door, use with multi-point transmission lock



### PCZ13F

- 常规方轴规格: 7mmx7mm
- 方轴总长度 (L): 按实际扇型材厚度
- 螺丝规格 M5: 长度按实际扇型材厚度
- 适用范围: 平开门, 推拉门, 配合多点传动锁闭器使用
- Regular square shaft specifications: 7 mmx7mm
- Square shaft total length (L): according to the actual fan section thickness
- The M5 screw specification: length according to the actual fan material thickness
- Scope of application: open the door, sliding door, use with multi-point transmission lock

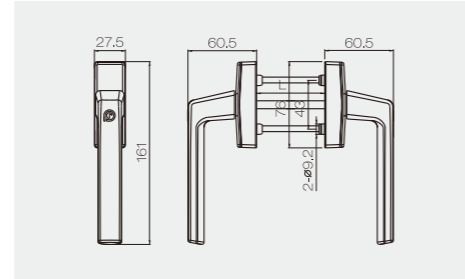


## 双面执手系列

Open Hand In Series

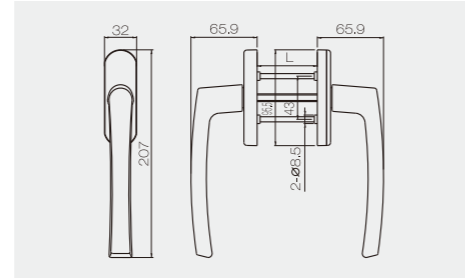
### PCZ26A

- 常规方轴规格: 7mmx7mm
- 方轴总长度 (L): 按实际扇型材厚度
- 螺丝规格 M5: 长度按实际扇型材厚度
- 适用范围: 平开门, 推拉门, 配合多点传动锁闭器使用
- Regular square shaft specifications: 7 mmx7mm
- Square shaft total length (L): according to the actual fan section thickness
- The M5 screw specification: length according to the actual fan material thickness
- Scope of application: open the door, sliding door, use with multi-point transmission lock



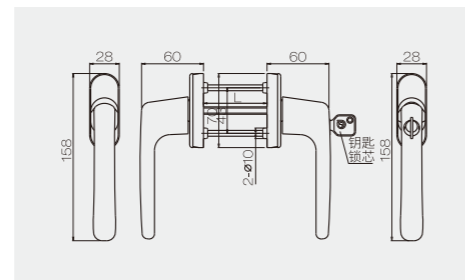
### PCZM22

- 常规方轴规格: 7mmx7mm
- 方轴总长度 (L): 按实际扇型材厚度
- 螺丝规格 M5: 长度按实际扇型材厚度
- 适用范围: 平开门, 推拉门, 配合多点传动锁闭器使用
- Regular square shaft specifications: 7 mmx7mm
- Square shaft total length (L): according to the actual fan section thickness
- The M5 screw specification: length according to the actual fan material thickness
- Scope of application: open the door, sliding door, use with multi-point transmission lock



### CZ26A

- 常规方轴规格: 7mmx7mm
- 方轴总长度 (L): 扇料厚度 +60mm
- 螺丝规格: M5x (扇料厚度 +20)
- 适用范围: 平开门, 推拉门, 配合多点传动锁闭器使用
- Regular square shaft specifications: 7 mmx7mm
- Square shaft total length (L): according to the actual fan section thickness
- The M5 screw specification: length according to the actual fan material thickness
- Scope of application: open the door, sliding door, use with multi-point transmission lock

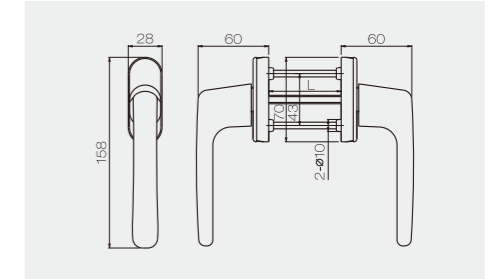


## 双面执手系列

Open Hand In Series

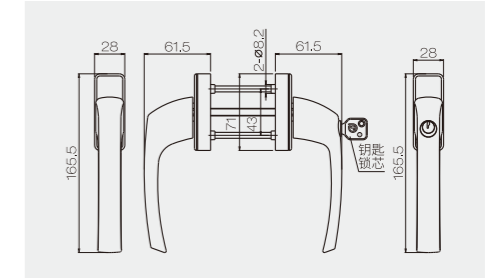
### CZ26C

- 常规方轴规格: 7mmx7mm
- 方轴总长度 (L): 扇料厚度 +60mm
- 螺丝规格: M5x (扇料厚度 +20)
- 适用范围: 平开门, 推拉门, 配合多点传动锁闭器使用
- Regular square shaft specifications: 7 mmx7mm
- Square shaft total length (L): according to the actual fan section thickness
- The M5 screw specification: length according to the actual fan material thickness
- Scope of application: open the door, sliding door, use with multi-point transmission lock



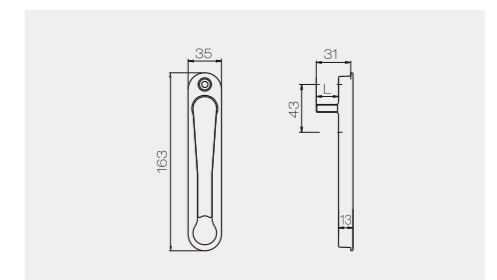
### CZ50

- 常规方轴规格: 7mmx7mm
- 方轴总长度 (L): 扇料厚度 +60mm
- 螺丝规格: M5x (扇料厚度 +20)
- 适用范围: 平开门, 推拉门, 配合多点传动锁闭器使用
- Regular square shaft specifications: 7 mmx7mm
- Square shaft total length (L): according to the actual fan section thickness
- The M5 screw specification: length according to the actual fan material thickness
- Scope of application: open the door, sliding door, use with multi-point transmission lock



### PCZ27

- 常规方轴规格: 7mmx7mm
- 方轴外露长度 (L): 15mm/20mm
- 隐藏执手, 适用于推拉门窗
- Regular square shaft specifications: 7 mmx7mm
- Square shaft exposed length: 15mm/20mm
- Concealed handle, which is suitable for sliding door and window

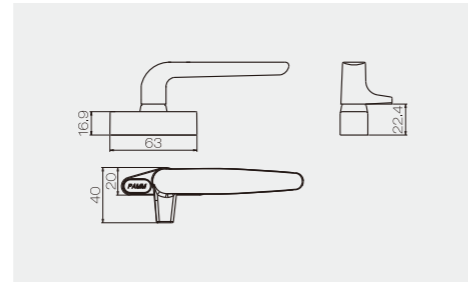


单点执手系列  
Handle Series



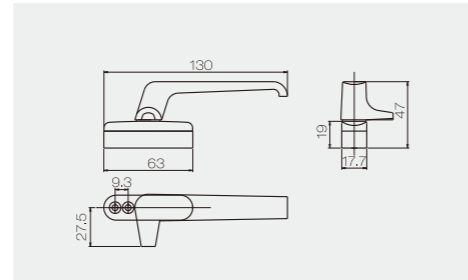
**PZY01R/L**

- 产品分左右
- Left and right version



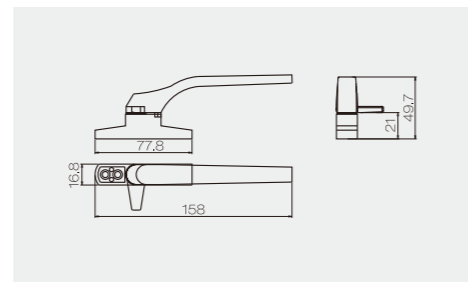
**PZY02R/L**

- 产品分左右
- Left and right version



**PZY03R/L**

- 产品分左右
- Left and right version

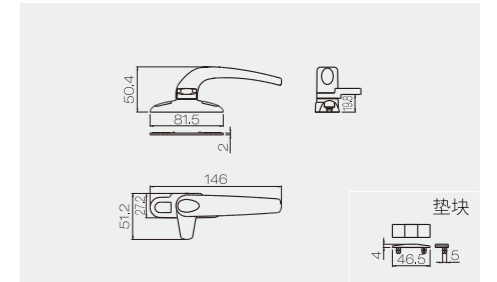


单点执手系列  
Handle Series



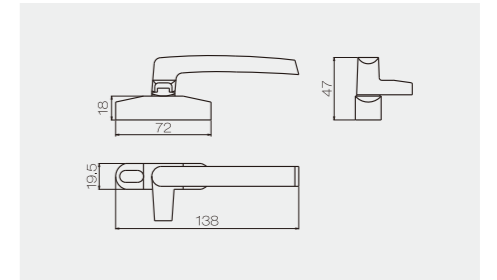
**PZY04R/L**

- 产品分左右
- Left and right version

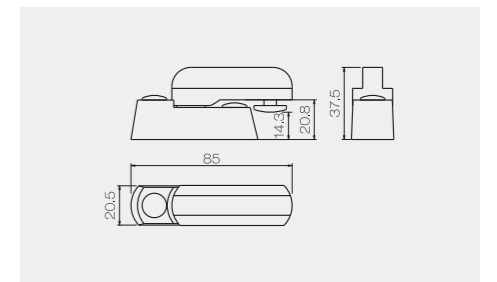


**PZY05R/L**

- 产品分左右
- Left and right version



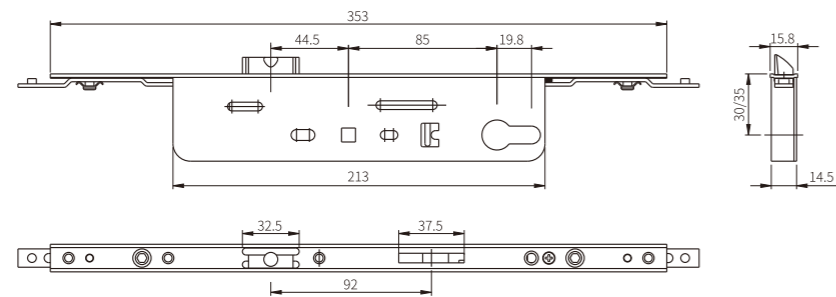
**PZY06**



## 平开门多点锁五金

Door Handle Series

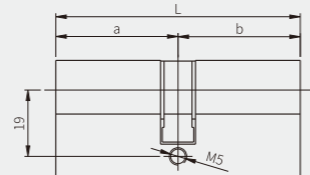
### P8535/P8530 锁体



### 双开锁芯



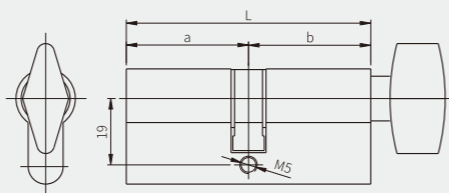
双开锁芯表示方法为 a/bA, a、b 的长度根据实际的需要而定, 最小不得小于 25mm  
Double lock core representation for a/bA, The length of a and b according to actual needs, minimum shall not be less than 25mm



### 单开锁芯



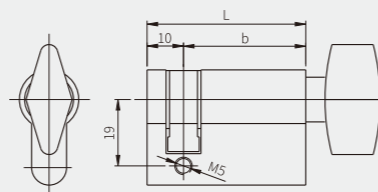
单开锁芯表示方法为 a/b TB, a、b 的长度根据实际的需要而定, b 尺寸表示靠旋钮端。  
Single lock core representation for a/b TB length a and b is according to the actual needs, b refers to the length near the knob.



### 单边锁芯



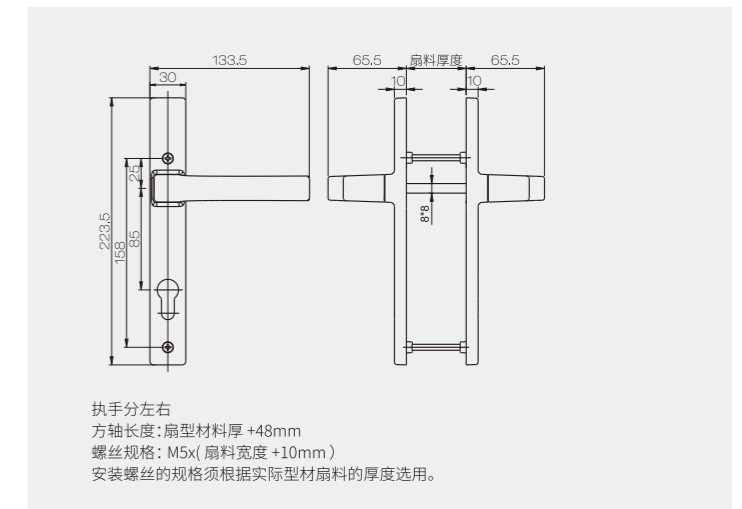
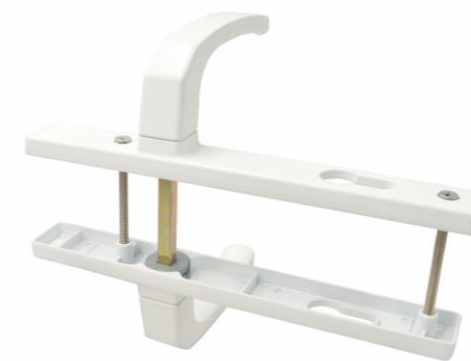
单边锁芯表示方法为 10/b TD, b 的长度根据实际的需要而定, b 尺寸表示靠旋钮端。上述表示法只针对此外形图。  
Single opened core representation for 10/b TD length b is according to the actual needs, b refers to the length near the knob. The above instruction is only for this drawing.



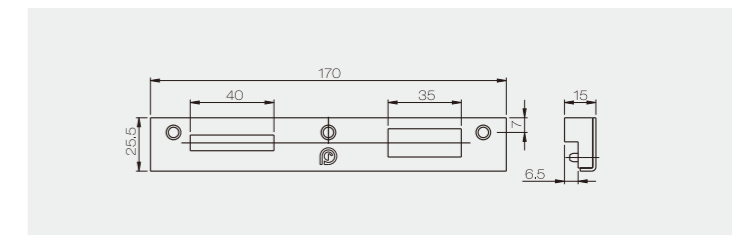
## 平开门多点锁五金

Door Handle Series

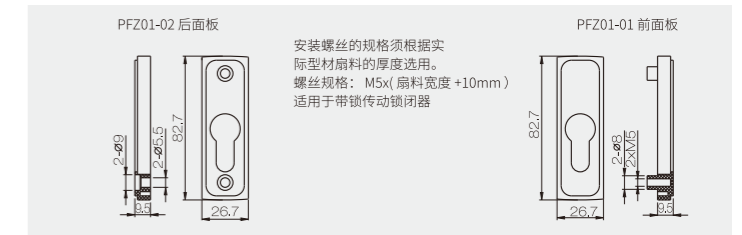
### CZM19B 双面执手



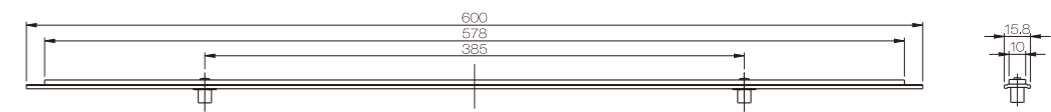
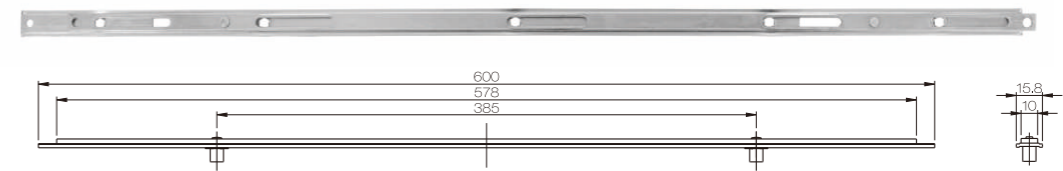
### PZMK01R/L 锁扣板



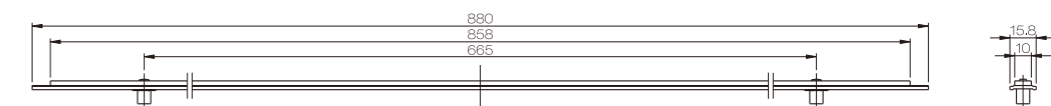
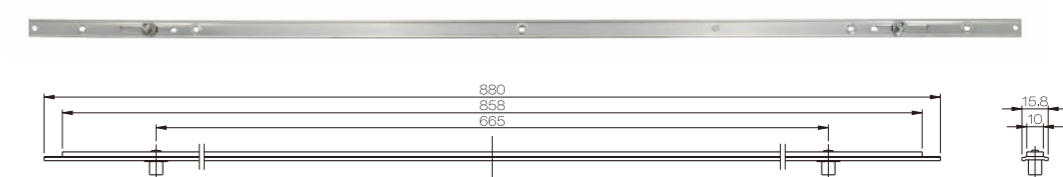
### PFZ01 面板



### PSL-600 锁连杆

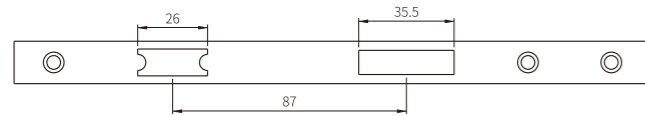
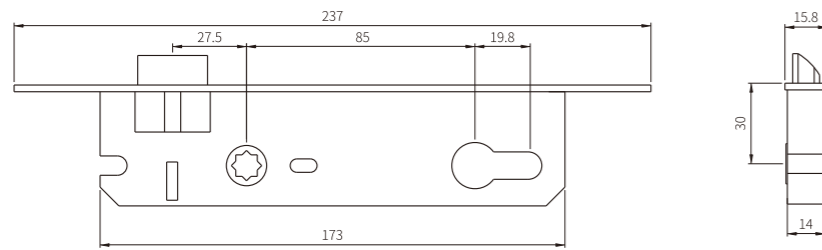


### PSL-880 锁连杆

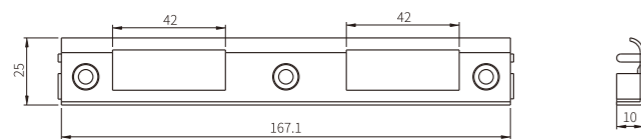


平开门单点锁锁体  
Casement door single-point lock body

P8530A 锁体

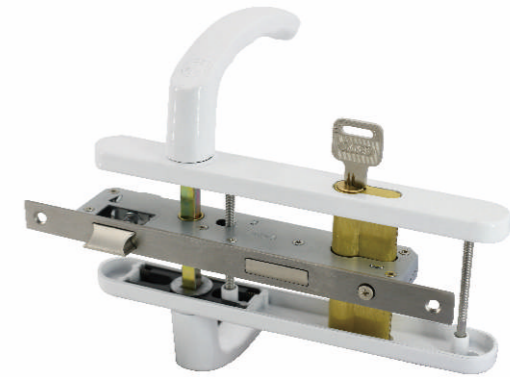


PZMK02 锁扣板

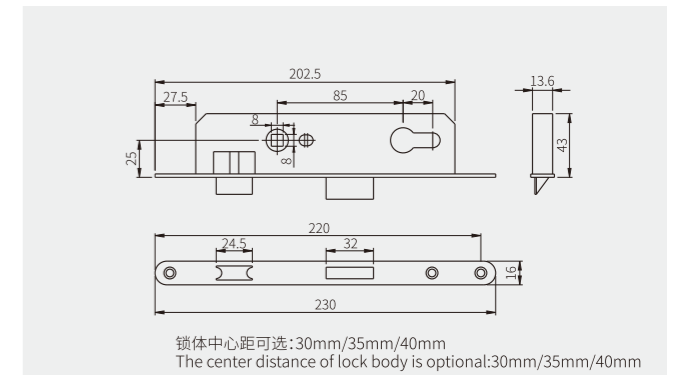


平开门锁体系列  
Door Handle Series

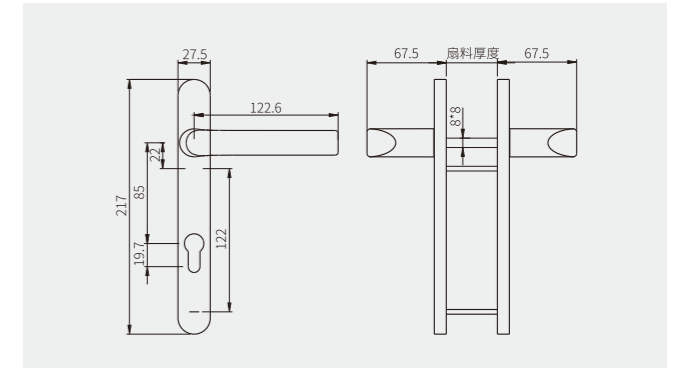
PMSD01AR/L 门用单点锁



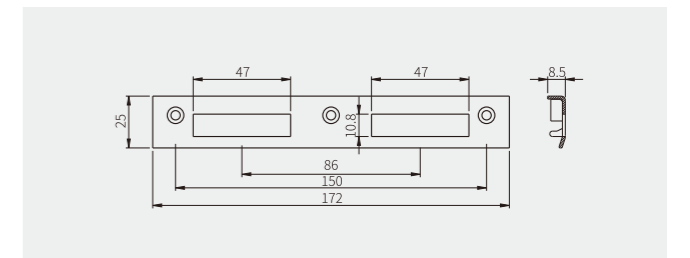
PMSD01-01 锁体



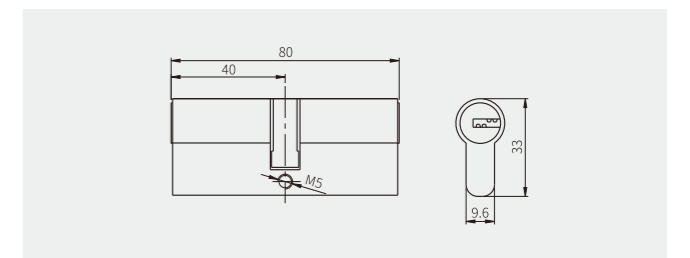
PMSD01-02 执手



PMSD01-03 锁扣板



PMSD01-04 锁芯





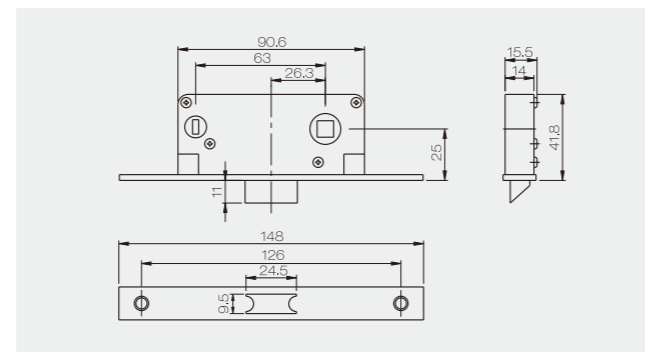
## 平开门锁体系列

Door Handle Series

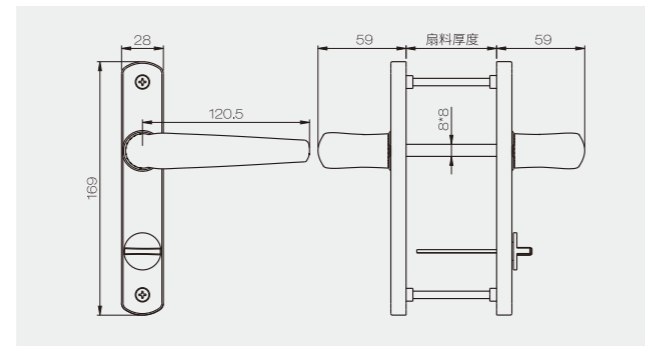
PMSD05R/L 门用通道锁



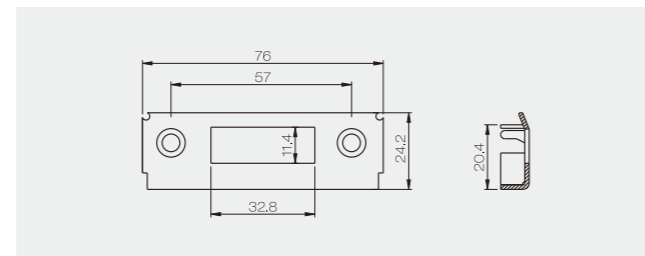
PMSD05-01 锁体



PMSD05-02 执手



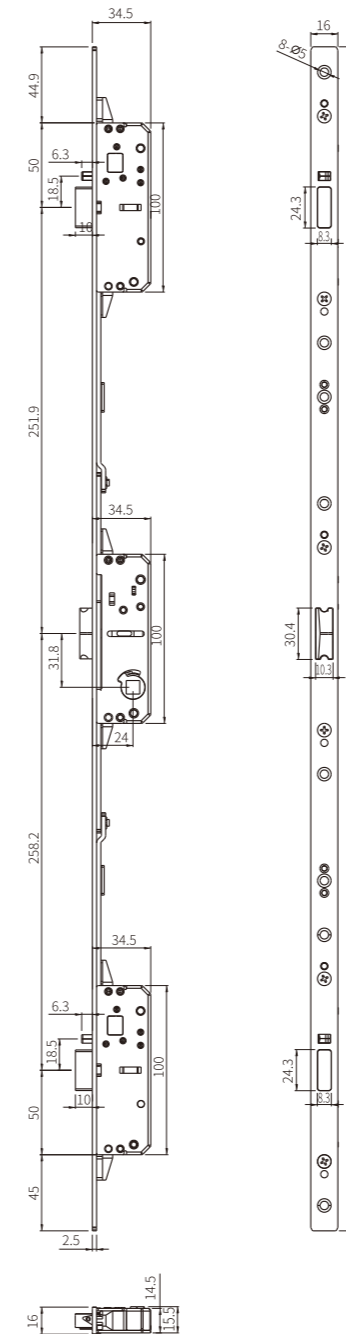
PMSD05-03 锁扣板



## 联动锁体

Linkage lock body

P0725-TY

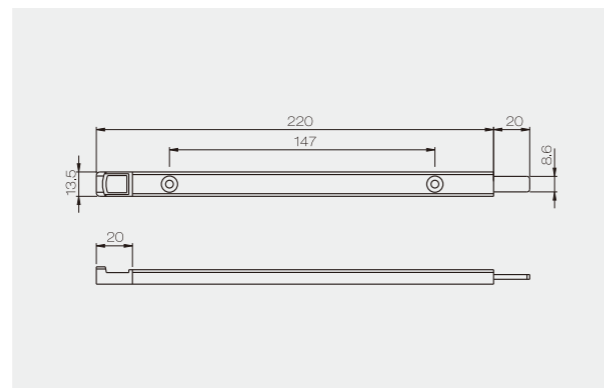


- 名称: 联动锁体
- 中心距: 25mm
- 规格: 全长700mm, 分左右
- 材质: 304
- 适用范围: 塑钢U槽平开门, 平开窗型材  
面板做至宽度20mm, 可适用于欧标20槽型材
- Item: Linkage lock body
- Center distance: 25mm
- Regulation: whole length is 700mm, has left and right version
- Material: 304 stainless steel
- Applicable range: UPVC U groove casement door, Casement window  
The board panel is made up to 20mm wide, it's suitable for European standard 20 groove profile

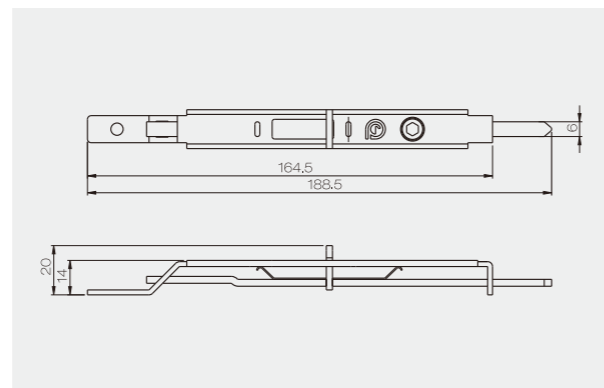
插销系列  
Bolt Series



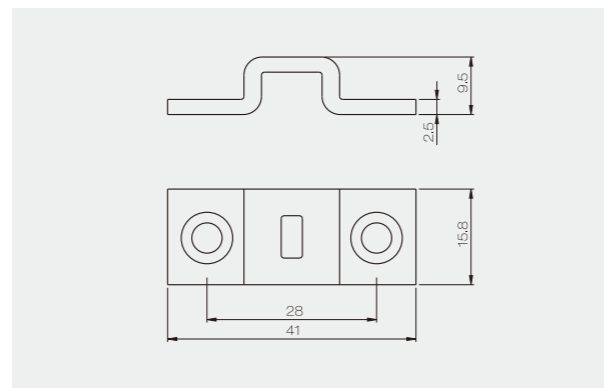
PMX02



PMX07



PMX07-05



Creat Value  
For Construction  
为建筑创造价值



## Hinge Series 合页(铰链)

**定义:** 是连接框扇,实现门窗启闭的一种装置。适用于建筑内平开窗、平开门,分为门用合页(铰链)、窗用合页(铰链)。

**主要性能指标:**

- 1、执行标准: JG/T125-2017
- 2、合页反复启闭30000次,扇自由端竖直方向的下垂量不大于2mm。能正常启闭,无严重变形,无损坏。
- 3、耐腐蚀NSS试验96小时,保护等级大于等于8级。

**Definition:**

Hinge is the device to achieve opening and closing door or window. Used into the casement window or door. Divided into door hinge and window hinge.

**Performance index:**

1. Operating standard: JG/T125-2017
2. Hinge repeatedly opening and closing 30000 times, the ptotic amount of fan free end vertical direction is not more than 2mm, normal opening and closing, without severe deformation and damage.
3. Corrosion resistant NSS test reach 96 hours, the degree of protection is not less than 8 grades.

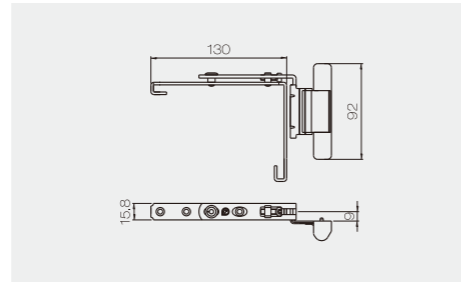
## 铰链系列 - 上部铰链

Hinge Series-upper Hinge



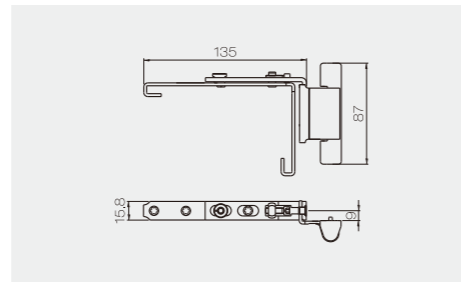
### PJCS01R/L

- 上部铰链 (轻型)
- 分左右, 适用于内平开 9 系列型材
- 不建议使用在外平开窗
- Upper Hinge(light-weight)
- Left and right version, suitable for 9 series' profile
- Not prefer to outwards casement window



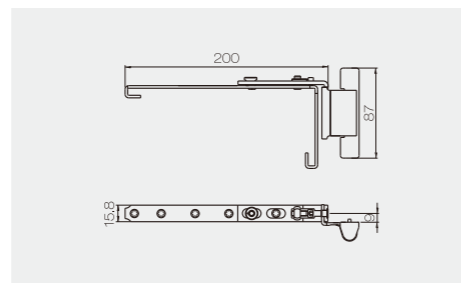
### PJCS03R/L

- 上部铰链 (轻型)
- 分左右, 适用于内平开 9 系列型材
- 不建议使用在外平开窗
- Upper Hinge(light-weight)
- Left and right version, suitable for 9 series' profile
- Not prefer to outwards casement window



### PJCS03AR/L

- 上部铰链 (轻型)
- 分左右, 适用于内平开 9 系列型材
- 不建议使用在外平开窗
- Upper Hinge(light-weight)
- Left and right version, suitable for 9 series' profile
- Not prefer to outwards casement window



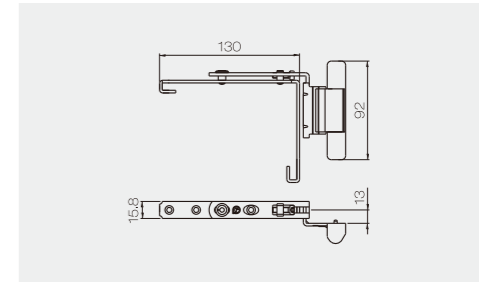
## 铰链系列 - 上部铰链

Hinge Series-upper Hinge



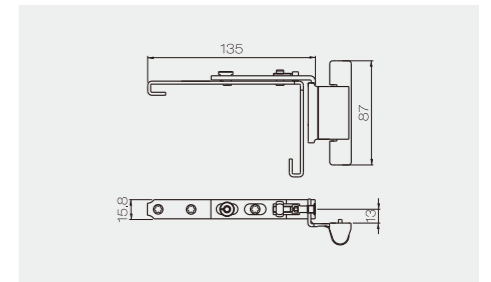
### PJMS01R/L

- 上部铰链 (轻型)
- 分左右, 适用于内平开 13 系列型材
- 不建议使用在外平开窗
- Upper Hinge(light-weight)
- Left and Right version, suitable for inwards 13 series' profile
- Not prefer to outwards casement window



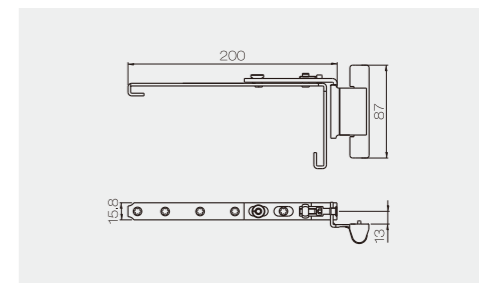
### PJMS03R/L

- 上部铰链 (轻型)
- 分左右, 适用于内平开 13 系列型材
- 不建议使用在外平开窗
- Upper Hinge(light-weight)
- Left and Right version, suitable for inwards 13 series' profile
- Not prefer to outwards casement window



### PJMS03AR/L

- 上部铰链 (轻型)
- 分左右, 适用于内平开 13 系列型材
- 不建议使用在外平开窗
- Upper Hinge(light-weight)
- Left and Right version, suitable for inwards 13 series' profile
- Not prefer to outwards casement window



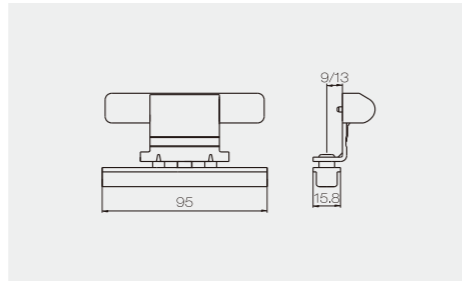
## 铰链系列 - 中部铰链

Hinge Series-middle Hinge



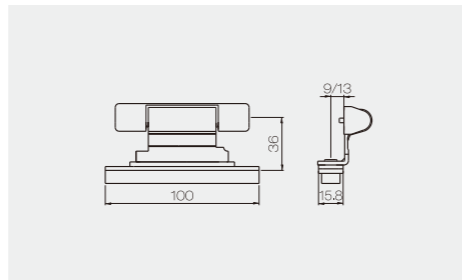
### PJCZ01/PJMZ01

- 中部铰链 :C 代表 9 系, M 代表 13 系
- 适用于内平开 9/13 系列型材
- 当窗扇高  $\geq 1000\text{mm}$  时使用
- Middle Hinge:C is for 9 series,M is for 13 series
- suitable for both 9 and 13 series) Used for inwards casement UPVC profile
- Used for window height  $\geq 1000\text{mm}$



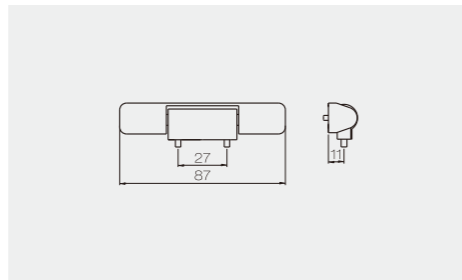
### PJCZ03/PJMZ03

- 中部铰链 :C 代表 9 系, M 代表 13 系
- 适用于内平开 9/13 系列型材
- 当窗扇高  $\geq 1000\text{mm}$  时使用
- Middle Hinge:C is for 9 series,M is for 13 series
- suitable for both 9 and 13 series) Used for inwards casement UPVC profile
- Used for window height  $\geq 1000\text{mm}$



### PJZ01B

- 中部铰链 (不分系列)
- 适合于内平开塑型材 (具体按型材截面图配置)
- 当窗扇高  $\geq 1000\text{mm}$  时使用
- Middle Hinge
- Suitable for UPVC inward opening profile(the detailed one should be configured in accordance with the sectional drawing of profile)
- Used for window height  $\geq 1000\text{mm}$



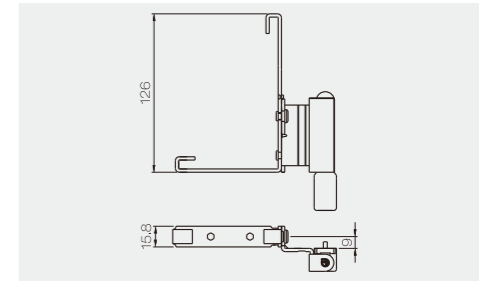
## 铰链系列 - 下角部铰链

Hinge Series-rottom Hinge



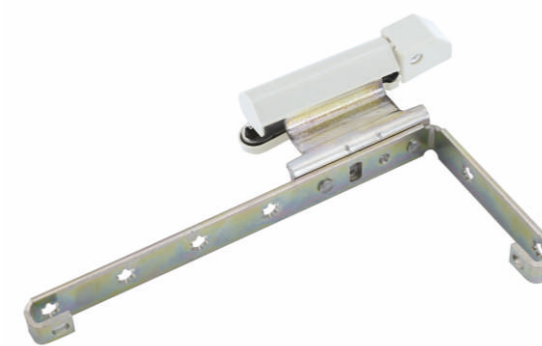
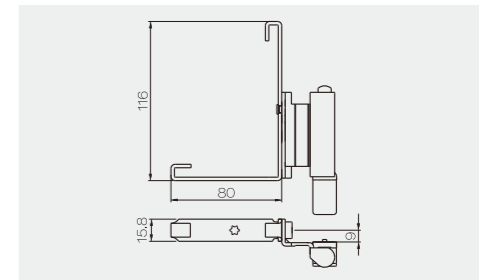
### PJCX01R/L

- 下角部铰链
- 分左右, 适用于内平开 9 系列型材
- 不建议使用在外平开窗
- Bottom Hinge
- Left and right version, suitable for inwards casement 9series profile
- Not prefer to the outwards casement window



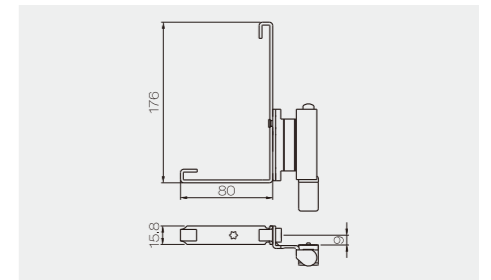
### PJCX03R/L

- 下角部铰链
- 分左右, 适用于内平开 9 系列型材
- 不建议使用在外平开窗
- Bottom Hinge
- Left and right version, suitable for inwards casement 9series profile
- Not prefer to the outwards casement window



### PJCX03AR/L

- 下角部铰链
- 分左右, 适用于内平开 9 系列型材
- 不建议使用在外平开窗
- Bottom Hinge
- Left and right version, suitable for inwards casement 9series profile
- Not prefer to the outwards casement window



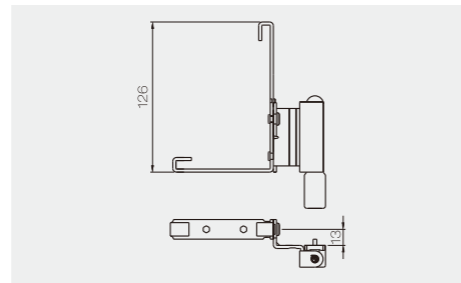
## 铰链系列 - 下角部铰链

Hinge Series-rottom Hinge



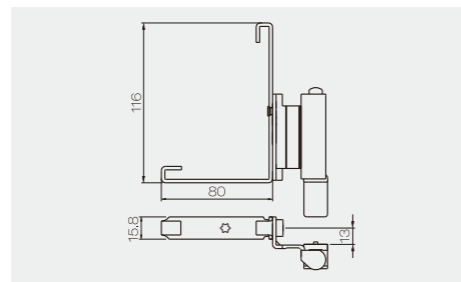
### PJMX01R/L

- 下角部铰链
- 分左右, 适用于内平开 13 系列型材
- 不建议使用在外平开窗
- Bottom Hinge
- Left and Right version, suitable inwards 13 series profile
- Not prefer to the outwards casement window



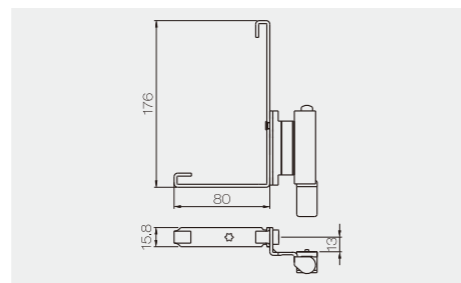
### PJMX03R/L

- 下角部铰链
- 分左右, 适用于内平开 13 系列型材
- 不建议使用在外平开窗
- Bottom Hinge
- Left and Right version, suitable inwards 13 series profile
- Not prefer to the outwards casement window



### PJMX03AR/L

- 下角部铰链
- 分左右, 适用于内平开 13 系列型材
- 不建议使用在外平开窗
- Bottom Hinge
- Left and Right version, suitable inwards 13 series profile
- Not prefer to the outwards casement window



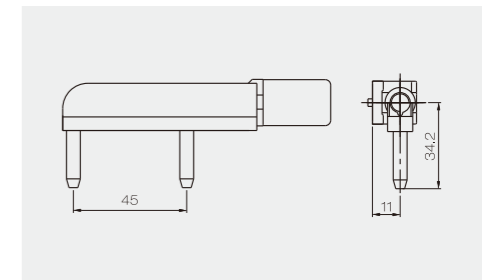
## 铰链系列 - 下角部铰链

Hinge Series-rottom Hinge



### PJCX03B

- 下角部铰链 (不分系列)
- 使用于内平开塑钢型材, 具体按型材截面图配置。
- 不建议使用在外平开窗
- Bottom Hinge
- Used in UPVC inward opening profile, the detailed one should be configured in accordance with the sectional drawing of profile
- Not prefer to outwards casement window



### 塑钢角部铰链配套使用表:

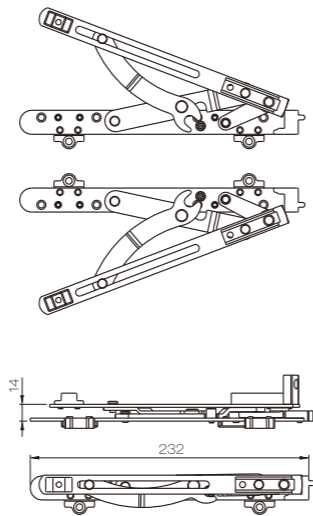
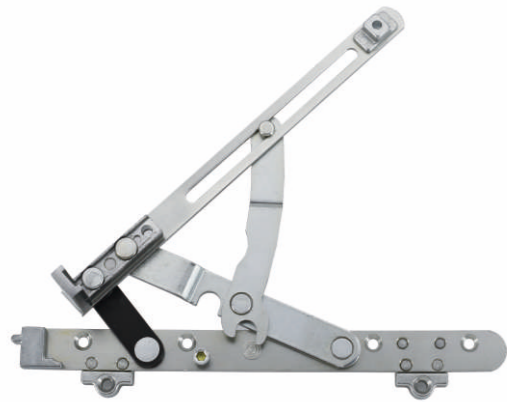
Upvc Tilt-turn window hardware system table

序号 No.	9 系 (ERP) 编码 9 department (ERP) coding	13 系 (ERP) 编码 9 department (ERP) coding	产品名称 Description	备注 Remark
1	PJCS01L	PJMS01L	上部铰链 (左) Upper Hinge (left)	此上、中、下角部铰链为 1 组, 扇高 $\geq 1000$ mm 增加中部铰链。最大承重: 60kg/组 middle and lower corner on the hinge for 1 set of fan high acuity 1000 mm increase in central hinge bearing: largest 60kg/group
	PJCS01R	PJMS01R	上部铰链 (右) Upper Hinge (right)	
	PJCZ01	PJMZ01	中部铰链 Middle Hinge	
	PJCX01L	PJMX01L	下角部铰链 (左) Bottom Hinge (left)	
	PJCX01R	PJMX01R	下角部铰链 (右) Bottom Hinge (right)	
2	PJCS03L	PJMS03L	上部铰链 (左) Upper Hinge (left)	此上、中、下角部铰链为 1 组, 中部铰链可选配: PJZ01B、(须按实际型材配置) 扇高 $\geq 1000$ mm 增加中部铰链。下角部铰链可选配: PJCX03B (须按实际型材配置), 最大承重: 60kg/组 Corner hinge on optional: 9: PJCS01AR/PJCS01AL 13 department: PJMS01AR/PJMS01AL, middle and lower corner on the hinge for 1 set of fan high acuity 1000 mm increase in central hinge bearing: largest 60kg/group
	PJCS03R	PJMS03R	上部铰链 (右) Upper Hinge (right)	
	PJCZ03	PJMZ03	中部铰链 Middle Hinge	
	PJCX03L	PJMX03L	下角部铰链 (左) Bottom Hinge (left)	
	PJCX03R	PJMX03R	下角部铰链 (右) Bottom Hinge (right)	
3	PJCS03AL	PJMS03AL	上部铰链 (左) Upper Hinge (left)	此上、中、下角部铰链为 1 组, 中部铰链可选配: PJZ01B (须按实际型材配置) 扇高 $\geq 1000$ mm 增加中部铰链。下角部铰链可选配: PJCX031B (须按实际型材配置), 最大承重: 80kg/组 Corner hinge on optional: 9: PJCS01AR/PJCS01AL 13 department: PJMS01AR/PJMS01AL, middle and lower corner on the hinge for 1 set of fan high acuity 1000 mm increase in central hinge bearing: largest 80 kg/group
	PJCS03AR	PJMS03AR	上部铰链 (右) Upper Hinge (right)	
	PJCZ03	PJMZ03	中部铰链 Middle Hinge	
	PJCX03AL	PJMX03AL	下角部铰链 (左) Bottom Hinge (left)	
	PJCX03AR	PJMX03AR	下角部铰链 (右) Bottom Hinge (right)	

## 铰链系列 - 隐形合页

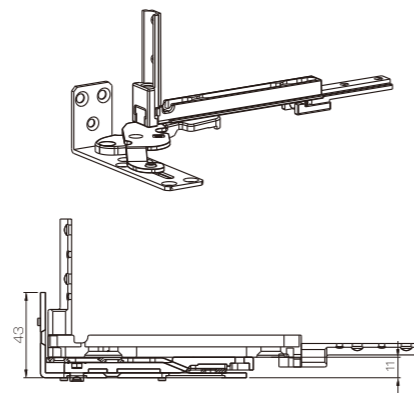
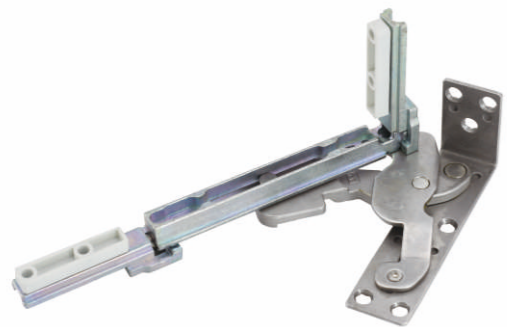
Hinge Series-concealed Hinge

### PJYC01R/PJYC01L



- 隐形合页 (9 系列)
- 适用于内平开窗塑钢型材, 具体按型材截面图配置。
- 不建议使用在外平开窗
- 左右为 1 套, 最大承重: 35kg
- Concealed hinge (9 series)
- Use for Inward casement window
- Not prefer to outwards casement window
- left and right as one set, max loading:35kg

### PJYC02/PJYM02



- 隐形合页 (9/13 系列)
- 适用于内平开窗塑钢型材, 具体按型材截面图配置。
- 不建议使用在外平开窗
- 左右为 1 套, 最大承重: 80kg
- Concealed Hinge (both 9/13 series)
- Used for inwards casement window
- Not prefer to outwards casement window
- Left and Right as one set, max loading:80kg

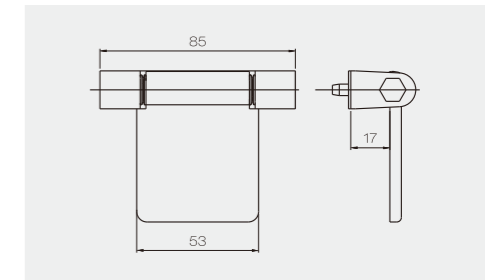
## 合页系列

Hinge Series



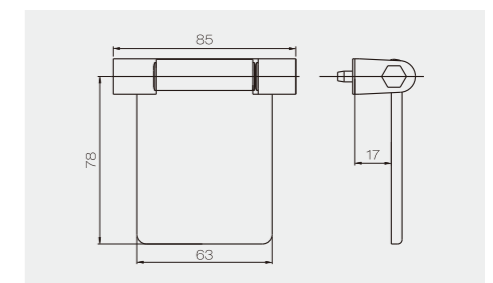
### PJH01

- 订购时需注明颜色
- 适用于内平开塑料窗
- 3 只一组配套使用, 最大承重 45kg/ 组
- Customized Color
- Used for inwards casement window
- 3pcs as one set, max loading:45kg/set



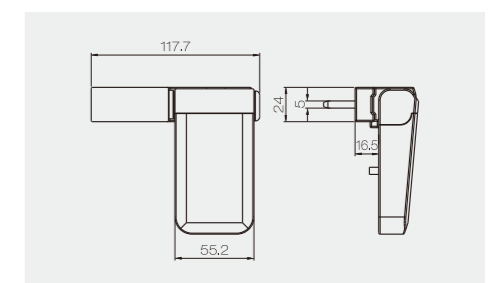
### PJH02

- 订购时需注明颜色
- 适用于内平开塑料窗
- 3-4 只一组配套使用, 最大承重 60kg/ 组
- Customized Color
- Used for inwards casement window
- 3/4pcs as one set, max loading:60kg/set



### PJH03R/L

- 订购时需注明颜色
- 适用于平开门
- 3 只一组配套使用, 最大承重 120kg/ 组
- Customized Color
- Used for casement door
- 3pcs as one set, max loading:120kg/set

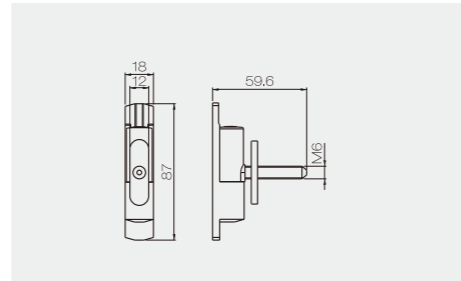


合页系列  
Hinge Series



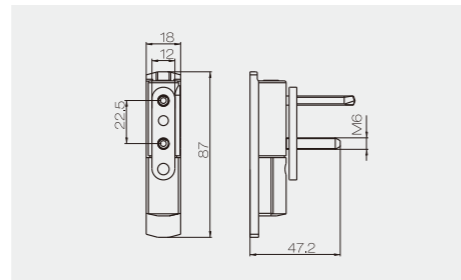
**PJH04**

- 订购时需注明颜色
- 3只一组配套使用,最大承重 60kg/组
- When ordering to indicate the color
- 3 pieces for one window,the maximum bearing 60kg/group



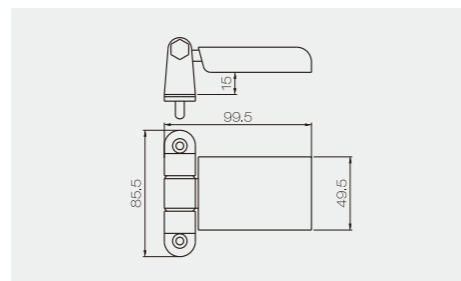
**PJH04A**

- 订购时需注明颜色
- 3只一组配套使用,最大承重 60kg/组
- When ordering to indicate the color
- 3 pieces for one window,the maximum bearing 60kg/group



**PJH05**

- 订购时需注明颜色
- 适用于内平开塑料窗
- 3只一组配套使用,最大承重 45kg/组
- Customized Color
- Used for inwards casement window
- 3pcs as one set, max loading:45kg/set

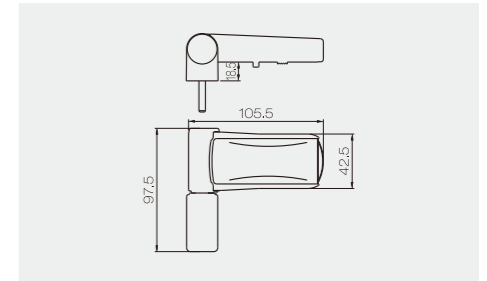


合页系列  
Hinge Series



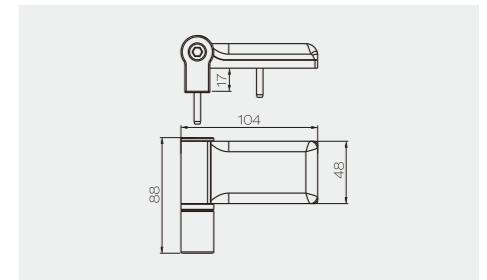
**PJH11R/L**

- 订购时需注明颜色
- 适用于内平开塑料门
- 3只一组配套使用,最大承重 120kg/组
- Customized Color
- Used for inwards casement door
- 3pcs as one set, max loading:120kg/set



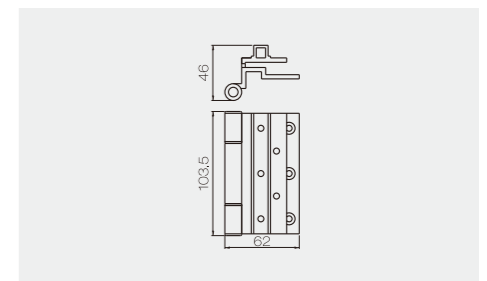
**PJH12BR/L**

- 订购时需注明颜色
- 适用于内平开塑料门
- 3只一组配套使用,最大承重 100kg/组
- Customized Color
- Used for inwards casement door
- 3pcs as one set, max loading:100kg/set



**PJH14**

- 订购时需注明颜色
- 适用于 13 系塑料内平开窗
- 最大承重 40kg/组
- When ordering to indicate the color
- Suitable for 13 series UPVC inward opening window
- the maximum bearing 40kg/group



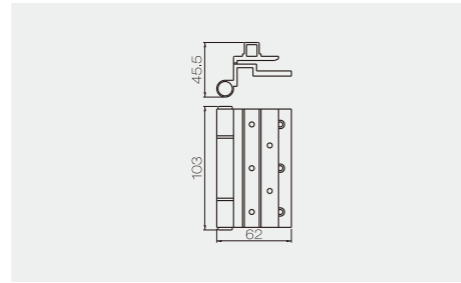


## 合页系列 Hinge Series



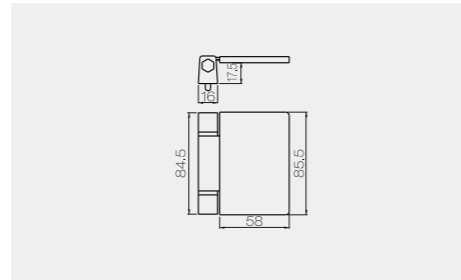
### PJH15

- 订购时需注明颜色
- 适用于 13 系塑料内平开窗
- 最大承重 40kg/组
- When ordering to indicate the color
- Suitable for 13 series UPVC inward opening window
- the maximum bearing 40kg/group



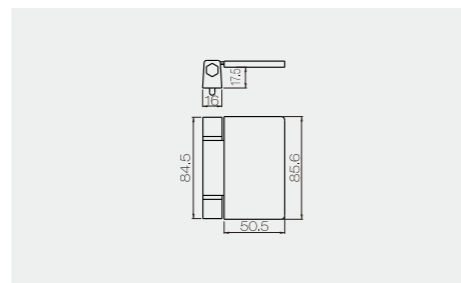
### PJH17

- 订购时需注明颜色
- 3只一组配套使用,最大承重55kg/组
- When ordering to indicate the color
- 3 pieces for one window,the maximum bearing 55kg/group



### PJH17A

- 订购时需注明颜色
- 3只一组配套使用,最大承重55kg/组
- When ordering to indicate the color
- 3 pieces for one window,the maximum bearing 55kg/group

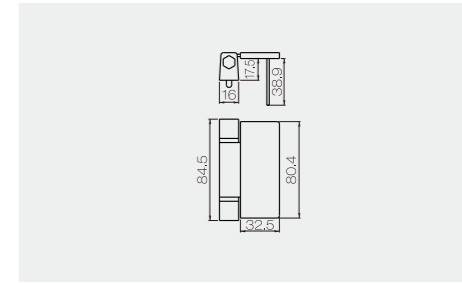


## 合页系列 Hinge Series



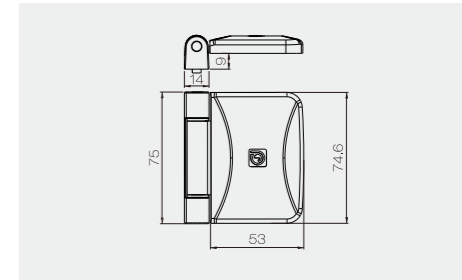
### PJH18

- 订购时需注明颜色
- 3只一组配套使用,最大承重55kg/组
- When ordering to indicate the color
- 3 pieces for one window,the maximum bearing 55kg/group



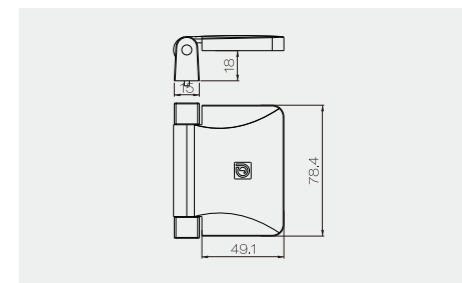
### PJH19

- 订购时需注明颜色
- 3只一组配套使用,最大承重60kg/组
- When ordering to indicate the color
- 3 pieces for one window,the maximum bearing 60kg/group

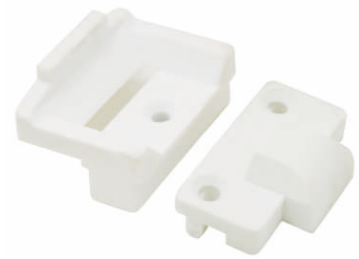


### PJH20A

- 订购时需注明颜色
- 3只一组配套使用,最大承重60kg/组
- When ordering to indicate the color
- 3 pieces for one window,the maximum bearing 60kg/group

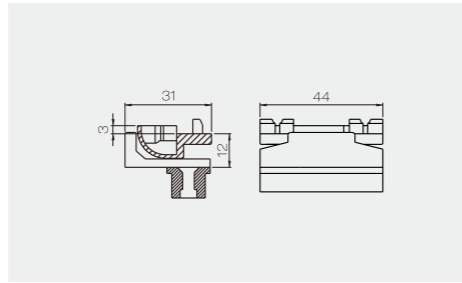


中部锁扣  
Middle lock buckle



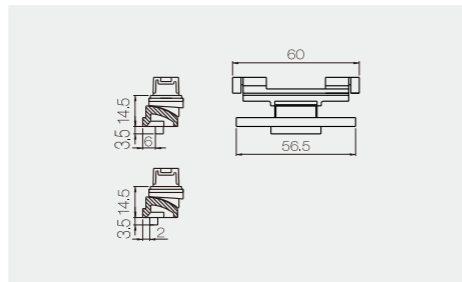
PJZS01

- 隐藏中部锁扣
- 适用9系于内/外平开门窗
- Concealed middle lock buckle
- Suitable for 9 series inward/outward opening window



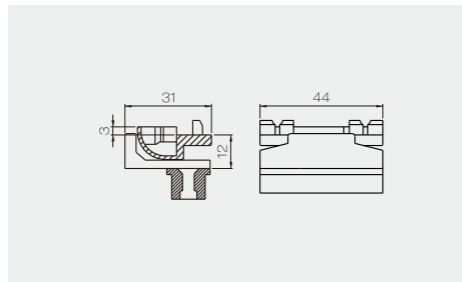
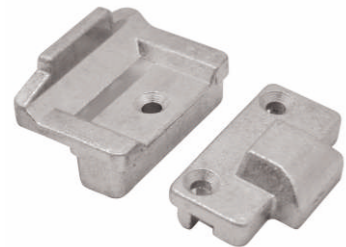
PJK02

- 隐藏中部锁扣
- 适用9/13系于内/外平开门窗
- Concealed middle lock buckle
- Suitable for 9/13 series inward/outward opening window



PJK03

- 隐藏中部锁扣
- 适用于9系于内/外平开门窗
- Concealed middle lock buckle
- Suitable for 9 series inward/outward opening window

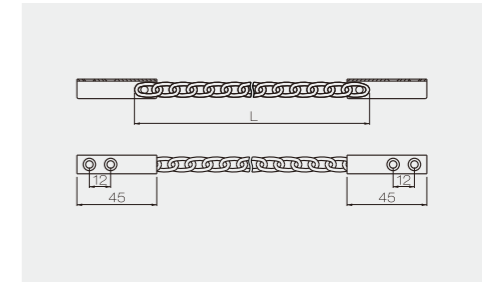


安全防脱锁  
Anti-off safety lock



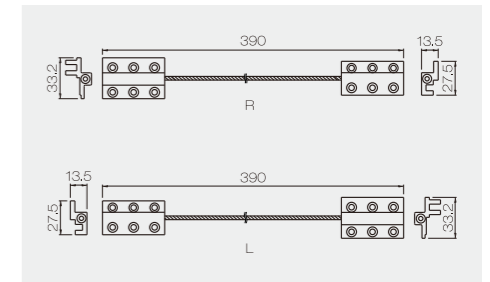
PFS01

- L长度:150mm/200mm/250mm
- 表面处理:430本色
- L Length:150mm/200mm/250mm
- Surface treatment:430 natural color



PFS02R/L

- 全长390mm,分左右
- 表面处理:粉末喷涂
- Whole length is 390mm, has left and right version
- Surface treatment: powder coating



# Friction Stay Series

## 滑撑系列



**定义:** 全称不锈钢滑撑铰链是种用于连接窗扇、窗框，使窗户能开启和关闭的连杆式活动链接装置。

**主要性能指标:** 外开窗用滑撑。

- 1、执行标准: JG/T127-2017
- 2、滑撑开启角度与额定开启角度之差不大于3度。
- 3、滑撑启闭力在不调紧定件时达到10-30N。
- 4、调整滑撑紧定件，滑撑最大启闭力不大于80N。
- 5、在500N的作用下，残余变形量不大于2mm。
- 6、反复启闭30000次，各部件无明显损坏，仍有使用功能。

**使用范围:** 外平开窗（窗扇宽度小于750mm），外上悬窗（窗扇开启最大极限距离300mm，窗扇高度小于1200mm）。

**Definition:**

The device that connects the leaf and frame so that the window can be opened and closed.

**Performance index:**

1. Operating standard: JG/T127-2017
2. The difference between opening angle and nominal opening angle is not more than 3 degrees.
3. Friction stay can reach 10-30N when not tighten.
4. Friction stay the maximum is not more than 80N when tighten.
5. The residual deformation is not more than 2mm under 500N
6. Repeatedly open and close 30,000 times, the components don't have obvious damage, and still have using function

**Scope of application:**

Outward opening window (width of sash is less than 750mm), Outward top-hung window (the maximum distance is 300mm when opening, the height is less than 1200mm)

## 滑撑的选用和安装

### Selection And Installation

#### 滑撑的选用

##### The selection of friction stay

滑撑的选用需根据窗户的重量和窗型大小确定:

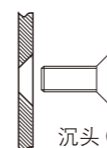
1. 滑撑的要求承重=窗扇的重量(玻璃重量+窗扇型材重量) x安全系数1.3-1.5.由窗重查《滑撑铝窗规格表》得到滑撑所满足承重要求的系列或规格。
2. 滑撑的长度规格选用:一般情况下是窗宽的2/3,如果窗户较轻时,可以为1/2。
3. 根据分别满足第1、2项窗重和窗户尺寸的要求从滑撑铝窗规格表中查得滑撑的规格长度。
4. 窗扇的最大开启角度还与滑撑系列的选用及安装位置有关。
5. 非同一类型、同一尺寸的一对滑撑不能装到一个窗户上。

The selection of friction stay depends on the window weight and size:

1. Friction stay should bear the weight of the sash (glass + profile) \* safety factor 1.3-1.5
2. Selection of its length: Normally is 2/3 of the window width, or 1/2 if the window is lighter.
3. The length of friction stay can be referred according to the two requirements above.
4. The maximum opening angle of the sash is relevant with the selection of the friction stay and its installation.
5. Different size and type friction stay cannot be install on the same window.

#### 滑撑紧固螺丝或螺钉的选用

##### The selection of stainless steel screw

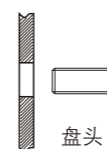


沉头 Countersunk head

滑撑紧固采用ST4.8\*30不锈钢螺丝,分别为:沉头和盘头。

根据实际情况合理用螺丝或螺钉,在此建议凡是有沉孔的地方必须用沉头,其它地方如滑槽或没有沉孔的地方则用盘头,这样才能保证其安装的牢固可靠性。(如上图)

必须使滑撑与窗扇及窗框牢固连接,螺钉必须紧固到型材内置钢衬上不得松动。所有螺丝孔都必须拧上螺丝或螺钉,少一个都必将影响到滑撑的承重能力。



盘头 Pan head

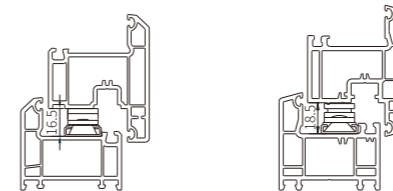
Adopting stainless steel screw ST4.8\*30 to fasten the friction stay.

Select the screw on conditions, for the solidity and reliability, here we suggest countersunk head screw must be used at anywhere there is a countersunk and pan head screw at other place like chute. (Depicted above)

The friction stay must be connected with the sash and frame firmly. The screw should be mounted firmly so as to the profile can't be moved. All the screw hole should be mounted with screws. Otherwise, it will be effect the load bearing of the profile.

#### 滑撑对型材的配合要求与安装

##### The installation and its requirements on profile



安装滑撑时应保证窗框扇之间的距离为滑撑的叠高,一般为16.5~18.5毫米,具体技术参数见后面滑撑系列和实物。

安装时还应注意滑撑应尽量靠窗框的外边缘,三角头要靠框边放,同时保证上下两支滑撑对称安装。

The gap between sash and frame is stack height of friction stay during installation, generally 16.5-18.5mm. For the specific technical parameter, refer to friction stay series.

The friction stay should close the outward edge of window frame as near as possible during installation. The delta head is required to close install to the frame. Meanwhile ensure both upper and bottom friction stay on the same vertical.

#### 滑撑的维护

##### The maintenance of friction stay

滑撑需要定期的检查维护,滑撑的底槽中不能落入沙子、水泥、石灰等硬质杂物和酸碱性腐蚀物。及太多的灰尘等。这样会使窗户在开关时不顺畅,滑撑中应定期的加入一润滑油。

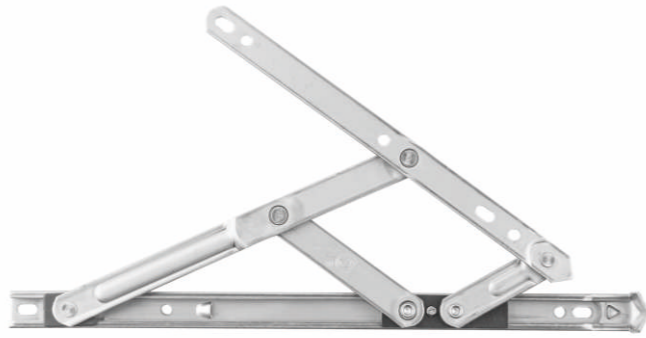
Friction stay should be checked and maintained regularly. Window will be unsmooth if sand, cement, dust, any hard object or corrosive object falls into the bottom of the friction stay. Lube should be added regularly.

产品技术参数若有变化,恕不另行通知,必要时请咨询我司技术部。

If the technical parameter has changed, forgive us for no notice. Please consult the technical department if necessary.

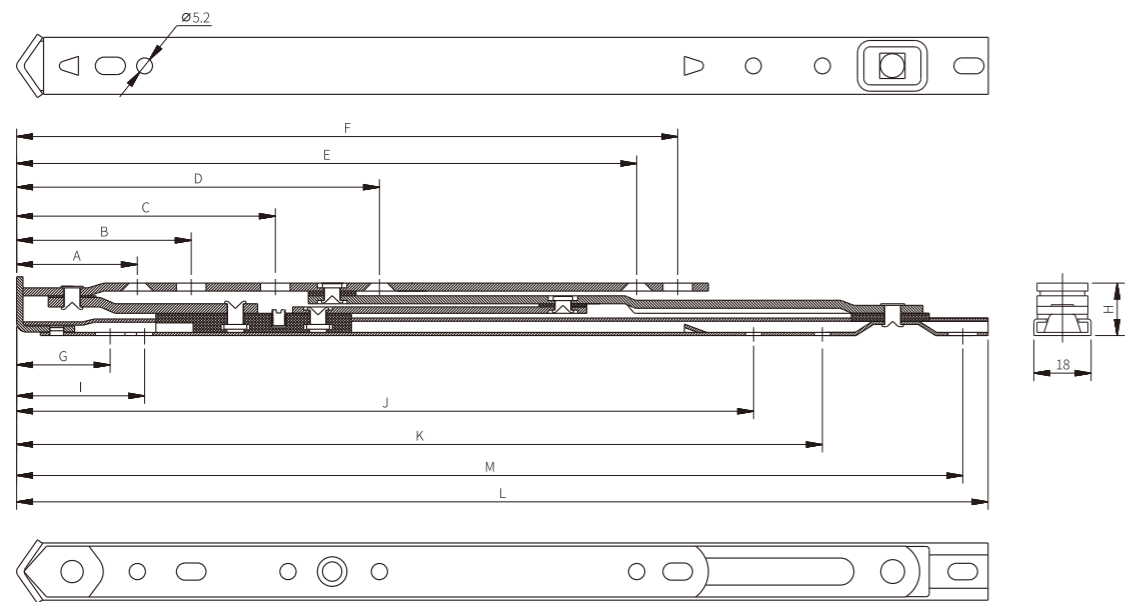
## 平开滑撑系列 Casement Friction Stay

18 方槽平开滑撑  
18 Square groove Casement friction stay



1. 选用最优良的不锈钢制造。
2. 符合 JG/T128-2017《建筑门窗五金件 - 滑撑》标准。
3. 滑撑应优先保证与型材的有效联接强度，其联接力应大于承重级别。
4. 因技术改进和产品通用性提高，不能及时更新，以下参数仅供参考，具体尺寸参数以实物为准。

1. Choose the best stainless steel manufacturing.
2. In JG/T128-2017 standard for building doors and Windows hardware-friction.
3. Friction should first ensure effective connection strength and profiles, the relay should be greater than bearing level. Due to technical improvement and product versatility, not update in time, The following parameters are for reference only. Size parameters of this specific kind prevail.



PHZS 系列平开滑撑 -- 安装尺寸 PHZS series flat open slip - installation dimension

规格型号 Specifications	单位: mm	A	B	C	D	E	F	G	I	J	K	M	L	H
PHZS12		37	54	/	113	195	208	28	38.5	230	/	296	304	16.5/18
PHZS14		37	54	93	132.5	215	228	28	38.5	254.5	298.5	344	352	16.5/18
PHZS16		37	54	112.5	153.5	235	248	28	38.5	281.5	351.5	396	404	16.5/18

PHZS 系列平开滑撑 -- 规格选用 PHZS series flat open slip - installation dimension

规格型号 Specifications	窗型 Window type	窗最高 (mm) Height upper limited	窗最宽 (mm) Width upper limited	窗最重 (kg) Weight capacity	连杆数 Number of connecting rod	开启角度 Opening angle
PHZS12		1500	500	22	4	88°±1°
PHZS14		1500	600	25	4	88°±1°
PHZS16		1500	650	27	4	88°±1°

产品编码型号说明: PHZS 系列平开滑撑, 有两种叠高, 分别由 /12 (16.5mm) 及 /62(18mm) 表示。

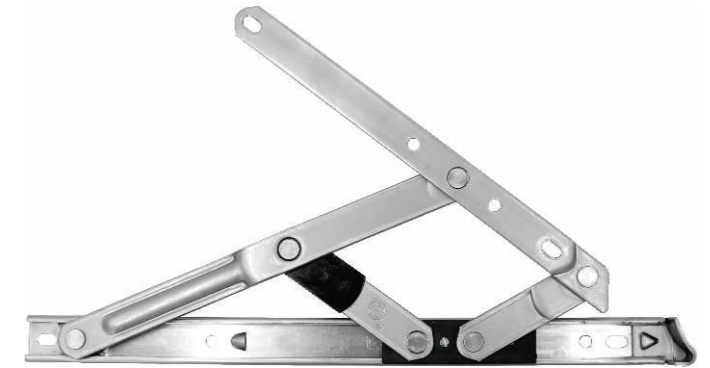
例如: PHZS12/12 为完整编码, 叠高 16.5mm, PHZS12/62 为完整编码, 叠高 18mm

Product coding model description: PHZS series horizontal slide open, high, there are two fold respectively by / 12 (16.5 mm) and 62 (18 mm) said.

For example: PHZS12/12 to complete coding, 16.5 mm high, PHZS12/62 for the complete code, fold, 18 mm

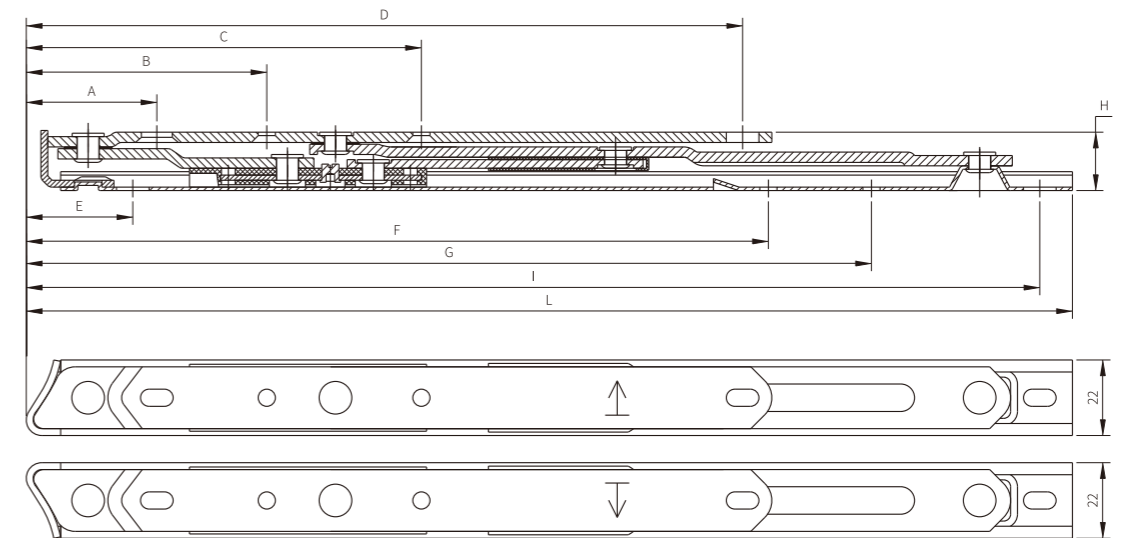
## 平开滑撑系列 Casement Friction Stay

22 方槽平开滑撑  
22 Square groove Casement friction stay



1. 选用最优良的不锈钢制造。
2. 符合 JG/T128-2017《建筑门窗五金件 - 滑撑》标准。
3. 滑撑应优先保证与型材的有效联接强度，其联接力应大于承重级别。
4. 因技术改进和产品通用性提高，不能及时更新，以下参数仅供参考，具体尺寸参数以实物为准。

1. Choose the best stainless steel manufacturing.
2. In JG/T128-2017 standard for building doors and Windows hardware-friction.
3. Friction should first ensure effective connection strength and profiles, the relay should be greater than bearing level. Due to technical improvement and product versatility, not update in time, The following parameters are for reference only. Size parameters of this specific kind prevail.



PHKS 系列平开滑撑 -- 安装尺寸 Choose PHKS series horizontal open slip - specifications

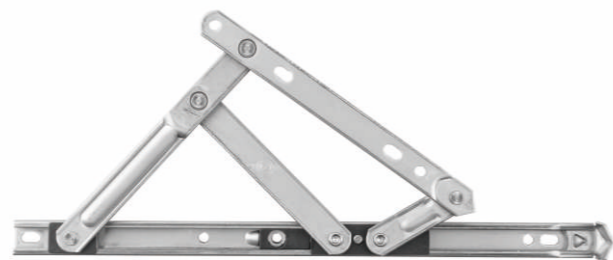
规格型号 Specifications	单位: mm	A	B	C	D	E	F	G	I	L	H
PHKS10		38	60	105	200	30	207.5	/	252.5	263	15.5-18
PHKS12		38	70	115	208.5	30.5	215.5	/	294.5	304.5	15.5-18
PHKS14		38	95	140	246	33	255	/	339.5	347.5	15.5-18
PHKS16		38	95	140	246	30	238.5	268.5	395	405	15.5-18
PHKS18		38	102.5	147.5	251	34	244	294	445.5	455	15.5-18

PHKS 系列平开滑撑 -- 规格选用 Choose PHKS series horizontal open slip - specifications

规格型号 Specifications	窗型 Window type	窗最高 (mm) Height upper limited	窗最宽 (mm) Width upper limited	窗最重 (kg) Weight capacity	连杆数 Number of connecting rod	开启角度 Opening angle
PHKS10		1500	500	27	4	88°±1°
PHKS12		1500	600	32	4	88°±1°
PHKS14		1500	650	36	4	88°±1°
PHKS16		1500	700	38	4	88°±1°
PHKS18		1500	750	40	4	88°±1°

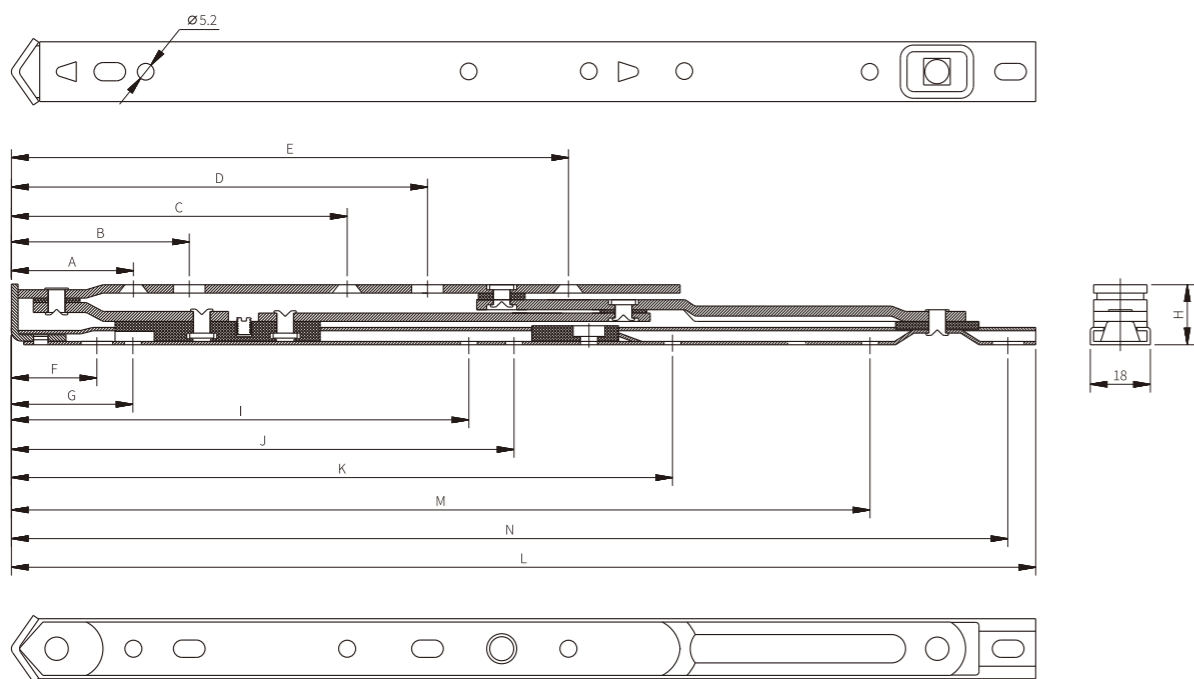
## 悬窗滑撑系列 Top-hung Frinction Stay

### 18 方槽上悬窗滑撑 18 Square groove Top-hung frinction stay



1. 选用最优良的不锈钢制造。
2. 符合 JG/T128-2017《建筑门窗五金件 - 滑撑》标准。
3. 滑撑应优先保证与型材的有效联接强度, 其联接力应大于承重级别。
4. 因技术改进和产品通用性提高, 不能及时更新, 以下参数仅供参考, 具体尺寸参数以实物为准。

1. Choose the best stainless steel manufacturing.
2. In JG/T128-2017 standard for building doors and Windows hardware - friction.
3. Frictions should first ensure effective connection strength and profiles, the relay should be greater than bearing level. Due to technical improvement and product versatility, not update in time, The following parameters are for reference only. Size parameters of the specific in kind prevail.



PHXZA 系列悬窗滑撑 -- 安装尺寸 Choose PHKS series horizontal open slip - specifications

规格型号 Specifications	单位: mm													
	A	B	C	D	E	F	G	I	J	K	M	N	L	H
PHXZ10A	37	54	/	99	141	30	41	/	163	188	/	254.5	263	16.5/18
PHXZ12A	37	54	/	122	164	30	41	140	172	210	/	298	306	16.5/18
PHXZ14A	37	54	100	147	189	30	41	145	180	205	300	343	351	16.5/18
PHXZ16A	37	54	115	176	218	30	41	150	192	217	352	397	405	16.5/18

PHXZA 系列悬窗滑撑 -- 规格选用 Choose PHKS series horizontal open slip - specifications

规格型号 Specifications	窗型 Window type	窗最高 (mm) Height upper limited	窗最宽 (mm) Width upper limited	窗最重 (kg) Weight capacity	连杆数 Number of connecting rod	开启角度 Opening angle
PHXZ10A		1000	600	25	4	< 30/35°
PHXZ12A		1200	750	30	4	< 30/35°
PHXZ14A		1300	850	35	4	< 30/35°
PHXZ16A		1400	900	40	4	< 25/30°

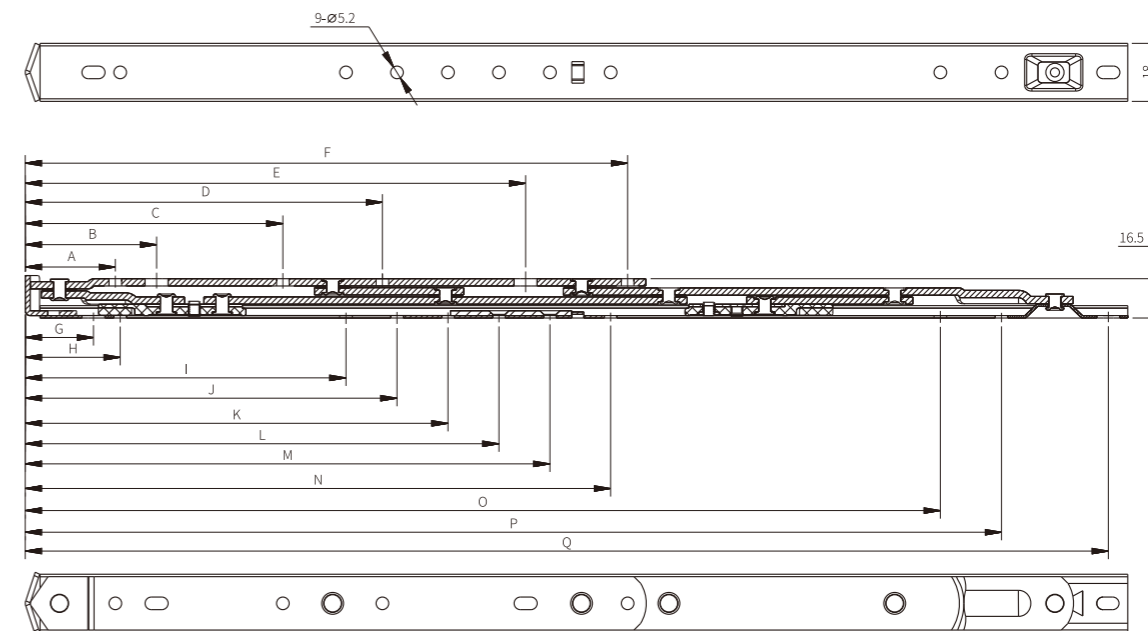
## 悬窗滑撑系列 Top-hung Frinction Stay

### 18 方槽上悬窗重型滑撑 18 Square groove Top-hung frinction stay



1. 选用最优良的不锈钢制造。
2. 符合 JG/T128-2017《建筑门窗五金件 - 滑撑》标准。  
滑撑应优先保证与型材的有效联接强度, 其联接力应大于承重级别。
3. 因技术改进和产品通用性提高, 不能及时更新, 以下参数仅供参考, 具体尺寸参数以实物为准。

1. Choose the best stainless steel manufacturing.
2. In JG/T128-2017 standard for building doors and Window hardware-friction.
3. Frictions should first ensure effective connection strength and profiles, the relay should be greater than bearing level. Due to technical improvement and product versatility, not update in time, The following parameters are for reference only. Size parameters of the specific in kind prevail.



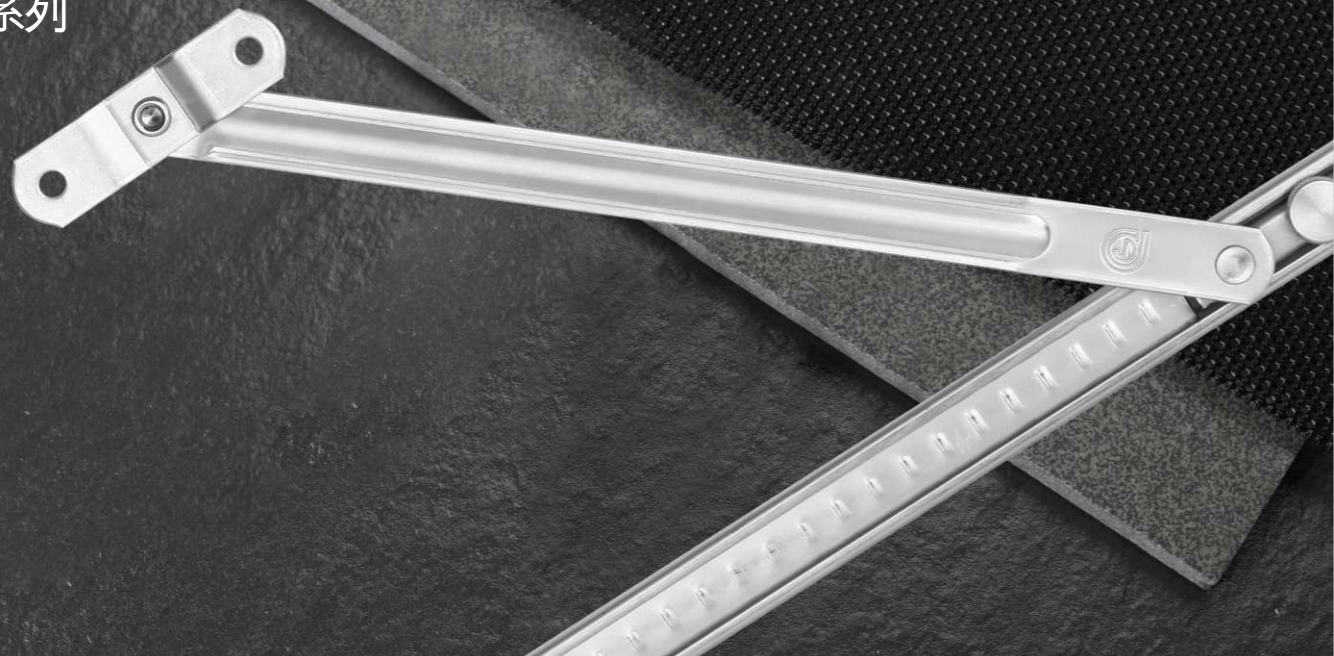
PHXZ B 系列悬窗滑撑 - 安装尺寸 Choose PHKS series horizontal open slip - specifications

规格型号 Specifications	单位: mm																
	A	B	C	D	E	F	G	H	I	J	K	L	M	N	O	P	Q
PHXZ18B	37	54.5	106	/	206	273	29	39.5	/	154	175	196	217	242	/	403	443
PHXZ20B	37	54.5	134	174	262	303	29	39.5	160	181	202	223	224	269	407	454	494

PHXZ B 系列悬窗滑撑 - 规格选用 Choose PHKS series horizontal open slip - specifications

规格型号 Specifications	窗型 Window type	窗最宽 (mm) Width upper limited	窗最高 (mm) Height upper limited	窗最重 (kg) Weight capacity	连杆数 Number of connecting rod	开启角度 Opening angle
PHXZ18B		1100	1400	50	6	< 30°
PHXZ20B		1200	1500	55	6	< 25°

# Limiters Stay Series 撑挡系列



**定义:** 能使开启的窗扇固定在一个预设位置的装置。

**性能指标:**

- 1、执行标准: JG/T128-2017
- 2、锁定式撑挡锁紧力不小于500N, 失效锁紧力250N。
- 3、摩擦式撑挡的摩擦力不小于80N, 失效摩擦力40N。
- 4、锁定式撑挡手柄开启力距为1N·m。
- 5、摩擦式撑挡滑块摩擦力差值不大于10N。
- 6、撑挡摆杆承受1500N拉力后, 摆杆延伸率不大于0.36%, 铆接部位不松动。
- 7、反复启闭30000次, 撑挡的锁紧力和摩擦力不低于失效值并能正常工作。

**使用范围:** 内平开窗, 上悬窗。

**Definition:**

The device that makes the window sash fix on the pre-install position.

**Performance index:**

1. Operating standard: JG/T128-2017
2. The locking type limiter stay locking force is not less than 500N, failure locking force 250N.
3. Friction force of friction type limiter stay is not less than 80N, failure friction 40N.
4. Locking stays open file handle torque is 1N·m.
5. The difference value of friction type limiter stay is not more than 10N.
6. After the pendulum spreaders withstand 1500N pulling force, the pendulum elongation is not more than 0.36%, riveted parts are not loose.
7. Repeatedly opening and closing 30,000 times, locking force and friction force is not less than fail value and work fine.

**Scope of application:**

Inward opening window, top-hung window

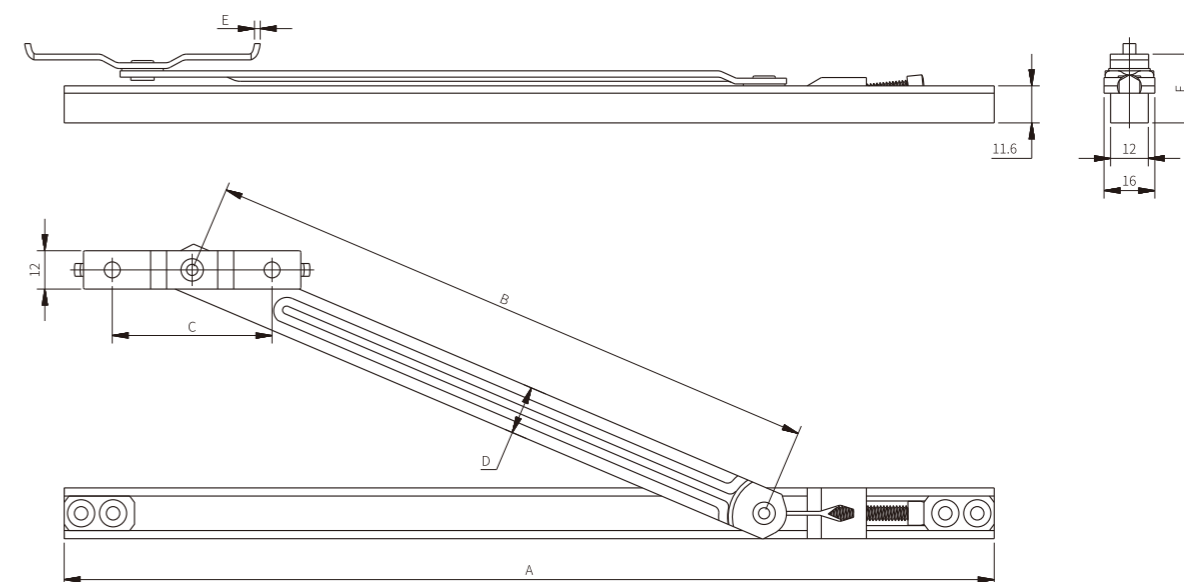
## 限位撑系列 Limiter Stay Series

**PDL 限位撑**  
PDL Limiter Stay



1. 适用于标准塑钢 U 型槽型材平开窗
2. 其作用:
  - ① 限制窗扇开启角度。
  - ② 窗扇在开启状态时, 防止大风吹动窗扇关闭碰撞窗框, 损坏窗户。
  - ③ 防止儿童从窗隙间坠下。

1. The friction stay must be connected with the sash and frame firmly. The
2. Function:
  - ① the limit casement opening Angle.
  - ② casement in open state, to prevent big blow casement close collision window frame, damage to the window.
  - ③ to prevent children from falling between window gap.

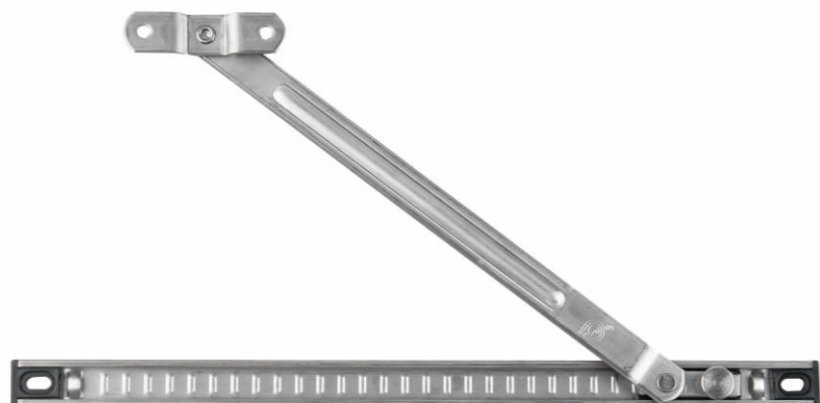


**PDL 系列限位撑**  
PDL series limit

规格型号 Specifications	单位: mm	A	B	C	D	E	F
PDL08		254	165	50	15.5	2	21.5
PDL10		290.5	193.5	50	15.5	2	21.5

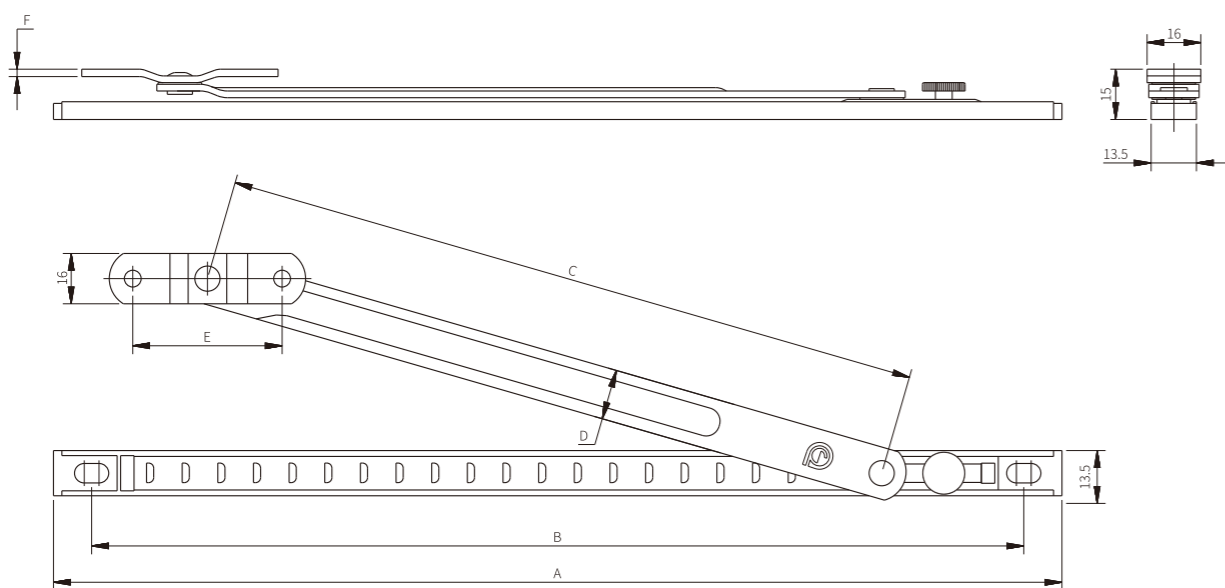
## 限位撑系列 Limiter Stay Series

### 13.5 方槽限位撑 13.5 Limiter Stay



1. 选用最优良的不锈钢制造。
2. 符合 JG/T128-2017《建筑门窗五金件 - 撑挡》标准。
3. 限位撑可用于平开窗、上悬窗。
4. 其作用：
  - ① 限制窗扇开启角度。
  - ② 窗扇在开启状态时，防止大风吹动窗扇关闭碰撞窗框，损坏窗户。
  - ③ 防止儿童从窗隙间坠下。

1. Choose the best stainless steel manufacturing.
2. In JG/T128-2017 standard for building doors and Windows hardware-stays.
3. Spacing can be used to open the window, hanging on the window.
4. The role:
  - ① limit the casement opening angle.
  - ② casement in open state, prevent wind blows casement close collision window frame, damage to the window.
  - ③ to prevent children from falling between window gap.



PDE B/PDE Ba 系列限位撑  
The PDE B/PDE Ba series limit

规格型号 Specifications	单位: mm					
	A	B	C	D	E	F
PDE10B	255	237	166	15	45	2
PDE12B	300	277	206	15	45	2
PDE14B	347	317	246	15	45	2
PDE10Ba	255	237	166	15	45	2.5
PDE12Ba	300	277	206	15	45	2.5
PDE14Ba	347	317	246	15	45	2.5

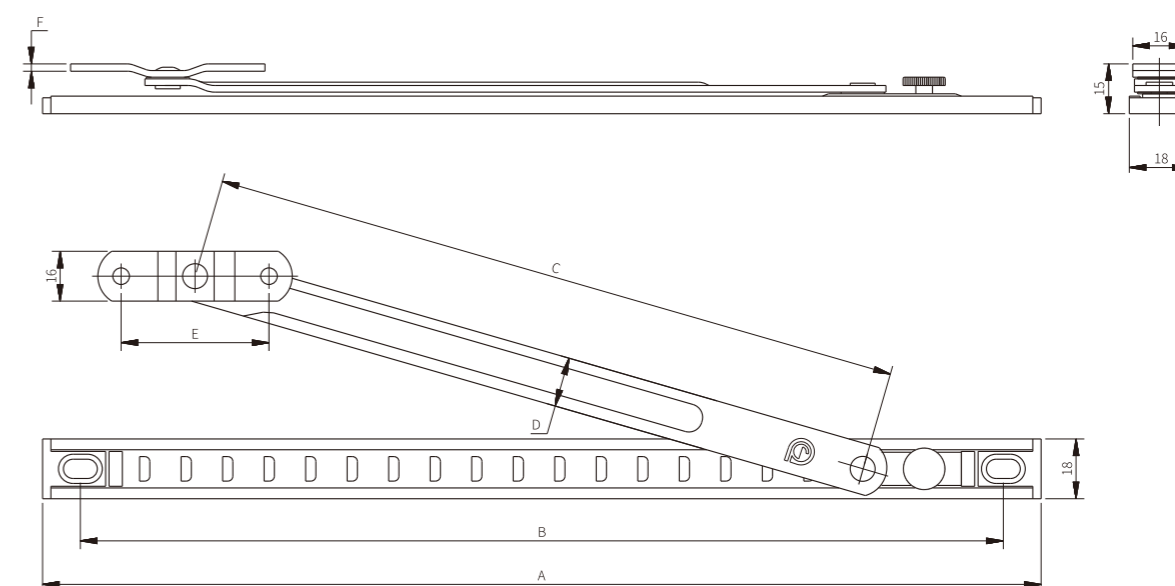
## 限位撑系列 Limiter Stay Series

### 18 方槽限位撑 18 Square groove Limiter Stay



1. 选用最优良的不锈钢制造。
2. 符合 JG/T128-2017《建筑门窗五金件 - 撑挡》标准。
3. 限位撑可用于平开窗、上悬窗。
4. 其作用：
  - ① 限制窗扇开启角度。
  - ② 窗扇在开启状态时，防止大风吹动窗扇关闭碰撞窗框，损坏窗户。
  - ③ 防止儿童从窗隙间坠下。

1. Choose the best stainless steel manufacturing.
2. In JG/T128-2017 standard for building doors and Windows hardware-stays.
3. Spacing can be used to open the window, hanging on the window.
4. The role:
  - ① limit the casement opening angle.
  - ② casement in open state, prevent wind blows casement close collision window frame, damage to the window.
  - ③ to prevent children from falling between window gap.



PDZ B/PDZ Ba 系列限位撑  
PDZ B/PDZ Ba series limit

规格型号 Specifications	单位: mm					
	A	B	C	D	E	F
PDZ10B	255	237	166	15	45	2
PDZ12B	300	277	206	15	45	2
PDZ14B	347	317	246	15	45	2
PDZ10Ba	255	237	166	15	45	2.5
PDZ12Ba	300	277	206	15	45	2.5
PDZ14Ba	347	317	246	15	45	2.5

Creat Value  
For Construction  
为建筑创造价值



## Crescent Lock 单点锁闭器

**定义：**适用于建筑水平推拉窗、室内推拉门，通过操作实现单一位置锁闭的装置。

**主要性能指标：**

- 1、执行标准：JG/T130-2017
- 2、操作力矩应小于 $2\text{N}\cdot\text{m}$ (或操作力应小于 $20\text{N}$ )。
- 3、锁闭器部件在 $400\text{N}$ 静压(拉)力作用后,不应损坏。
- 4、反复启闭 $30000$ 次后,开启、关闭自定位位置正常。

**使用范围：**建筑水平推拉窗、室内推拉门。

**Definition:**

Device that locked by one-point through operating the sliding latch.

**Performance index:**

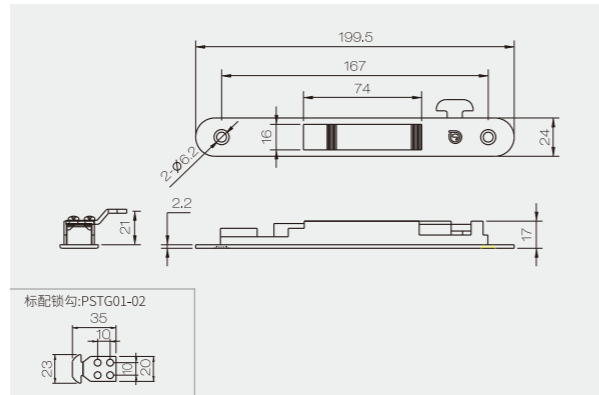
1. Operating standard: JG/T130-2017
2. Operating torque  $\leq 2\text{N}\cdot\text{m}$ . Operating force  $\leq 20\text{N}$
3. After  $400\text{N}$  static tension, the component of locking device should not damage.
4. Repeatedly opening and closing  $30000$  times, the positions of the open and close are normal.

**Scope of application:** Casement sliding window and door.

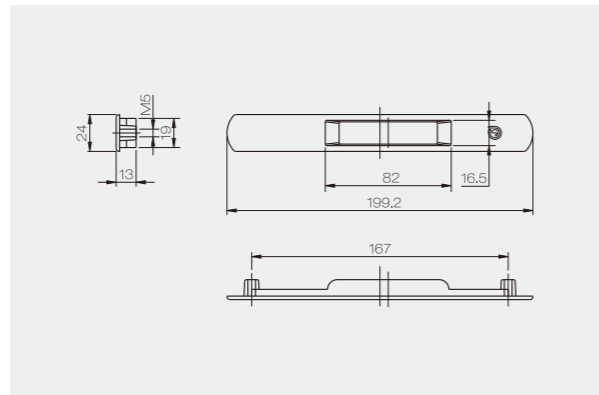


单点锁  
Single Point Lock

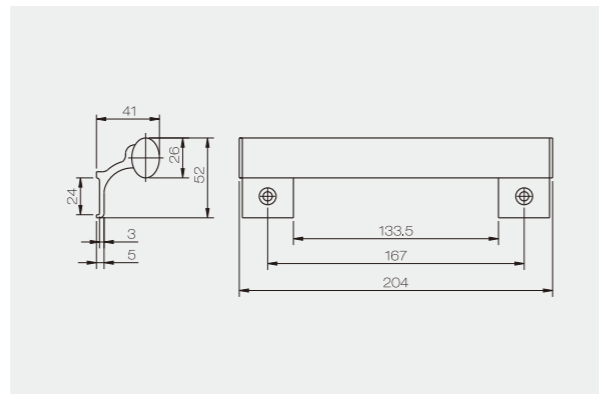
PSTG01条锁(正面)



PSTG02条锁(反面)



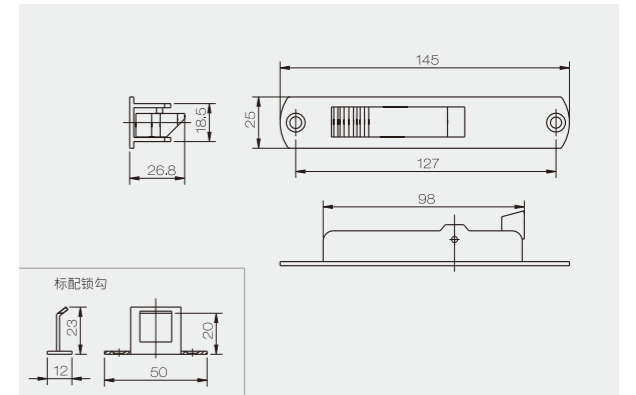
PSTG03拉手



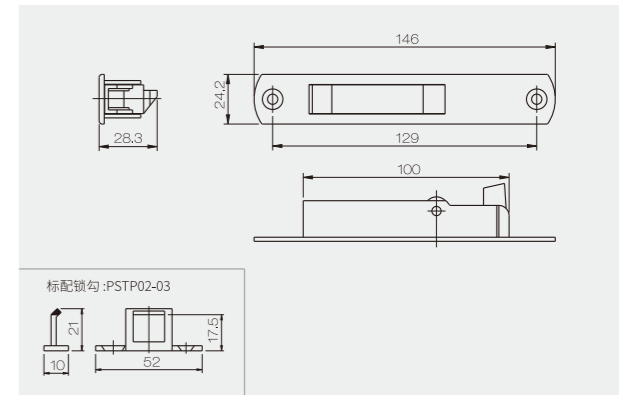
单点锁  
Single Point Lock



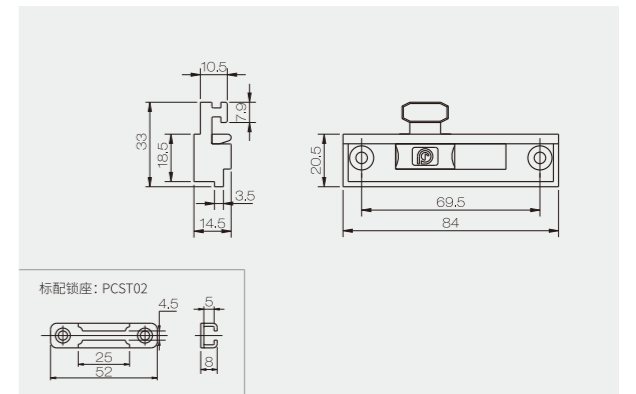
PSTP01R/L碰锁



PSTP02R/L碰锁



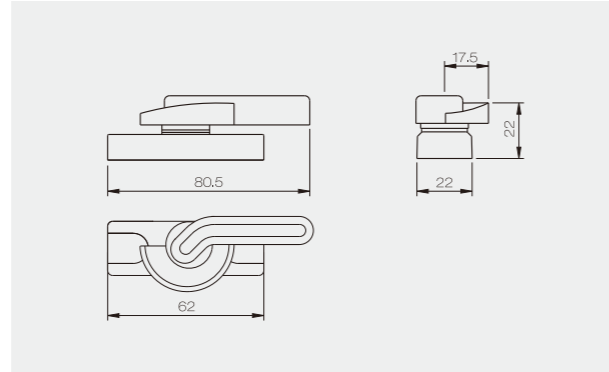
PSS02锁栓



月牙锁系列  
Crescent Lock Series

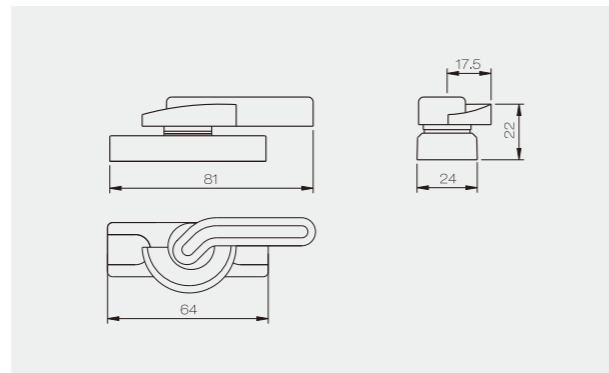
**PSB01R/L**

- 标配锁钩: PSBG02A
- The standard lock hook: PSBG02A



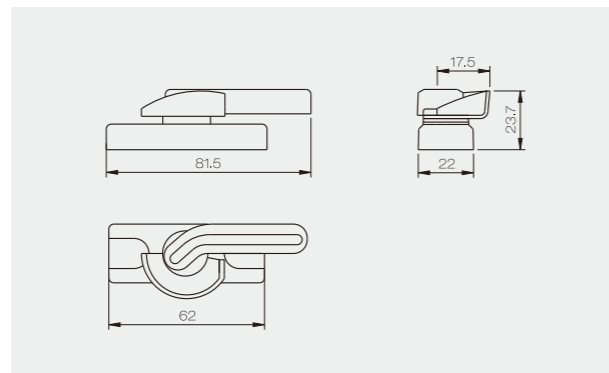
**PSB01AR/L**

- 标配锁钩: PSBG02A
- The standard lock hook: PSBG02A



**PSB01BR/L**

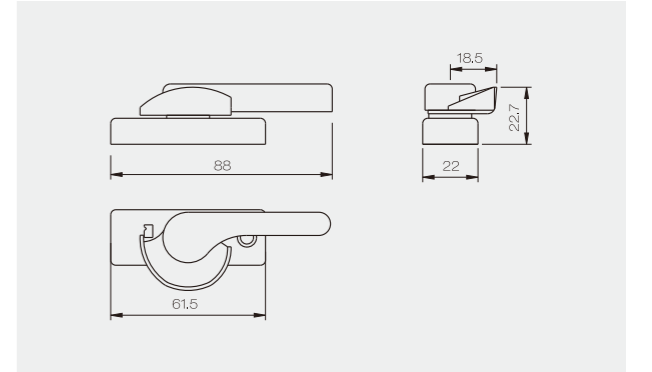
- 标配锁钩: PSBG02A
- The standard lock hook: PSBG02A



月牙锁系列  
Crescent Lock Series

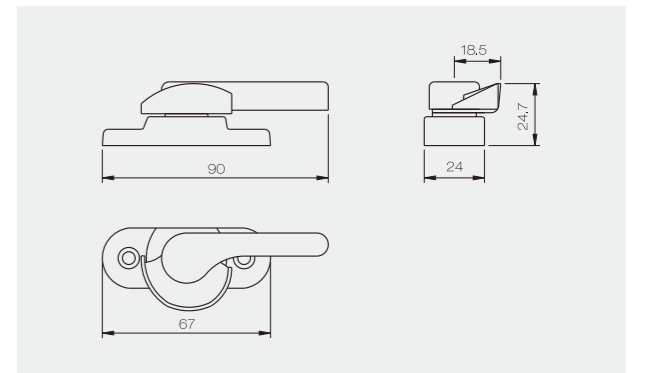
**PSB02R/L**

- 标配锁钩: PSBG02A
- The standard lock hook: PSBG02A



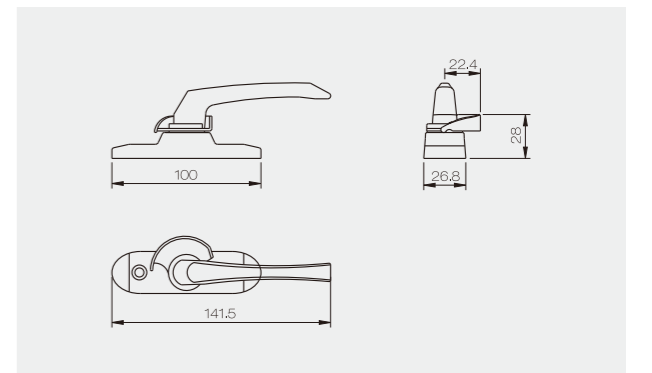
**PSB03R/L**

- 标配锁钩: PSBG02A
- The standard lock hook: PSBG02A



**PSB06R/L**

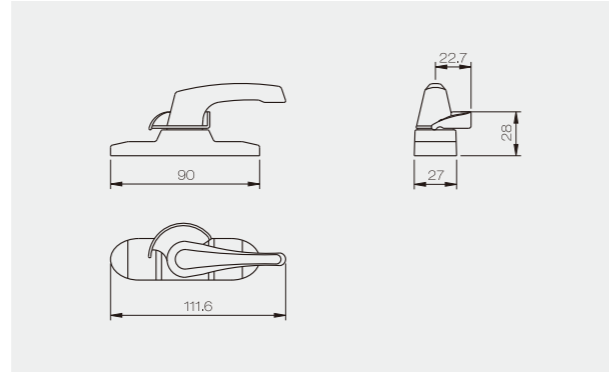
- 标配锁钩: PSBG01A
- The standard lock hook: PSBG01A



月牙锁系列  
Crescent Lock Series

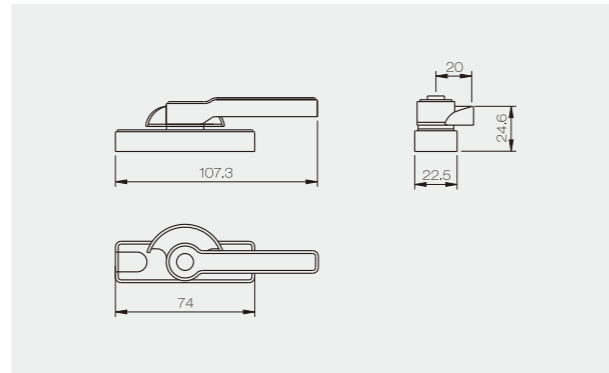
**PSB07R/L**

- 标配锁钩: PSBG01A
- The standard lock hook: PSBG01A



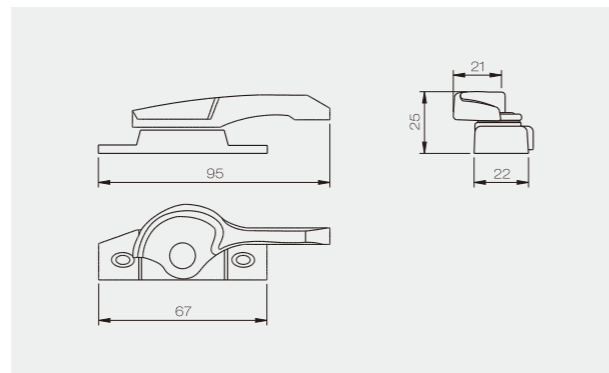
**PSB08**

- 标配锁钩: PSBG02A
- The standard lock hook: PSBG02A



**PSB09R/L**

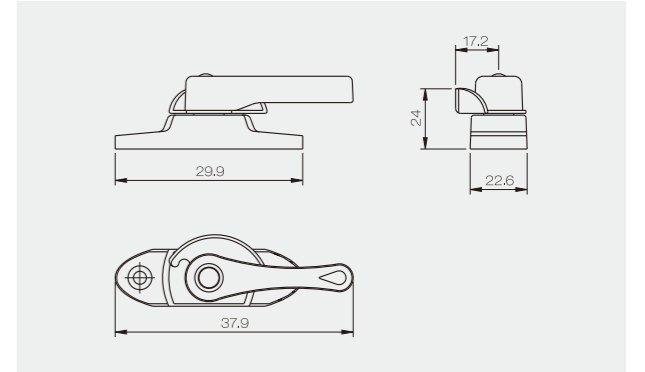
- 标配锁钩: PSBG01A
- The standard lock hook: PSBG01A



月牙锁系列  
Crescent Lock Series

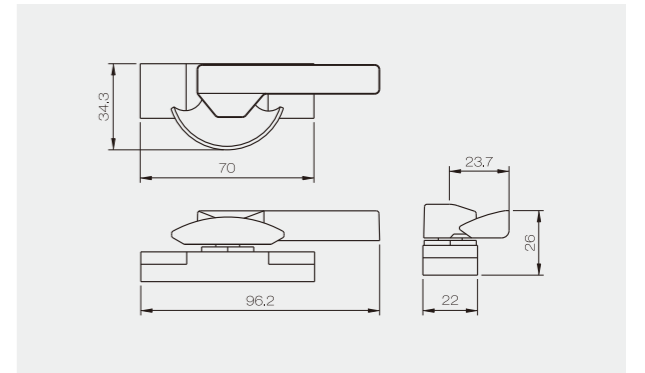
**PSB12**

- 标配锁钩: PSBG02A
- The standard lock hook: PSBG02A



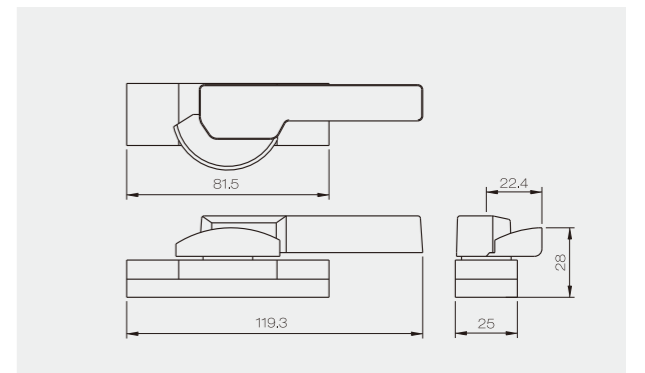
**PSB13R/L**

- 标配锁钩: PSBG01A
- The standard lock hook: PSBG01A



**PSB13AR/L**

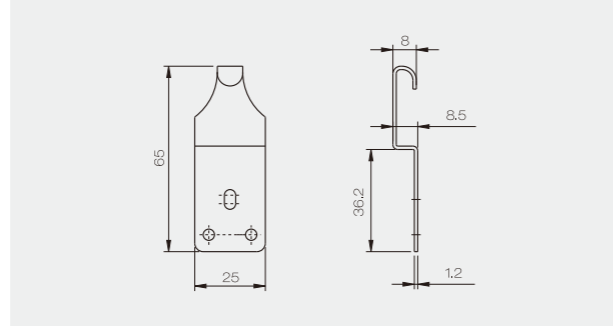
- 标配锁钩: PSBG01A
- The standard lock hook: PSBG01A



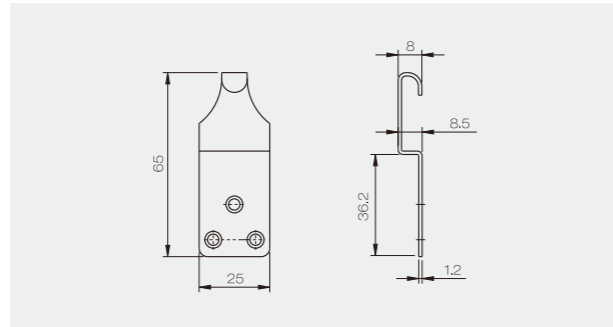
锁钩系列  
Hook Lock Series



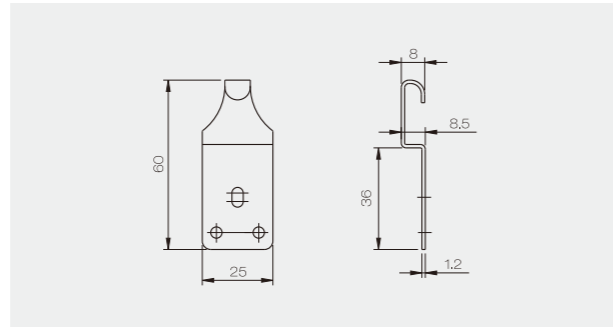
**PSBG01**



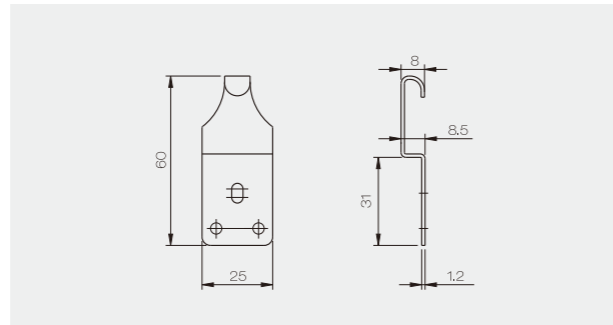
**PSBG01A**



**PSBG02**



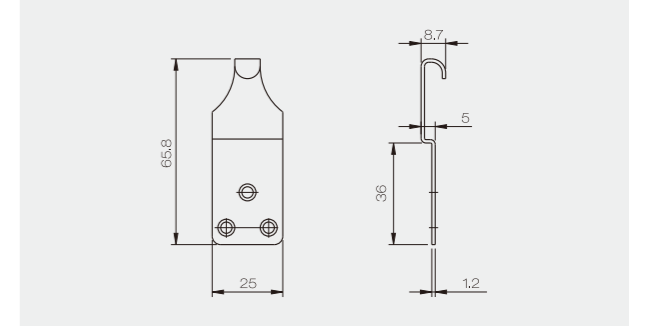
**PSBG02A**



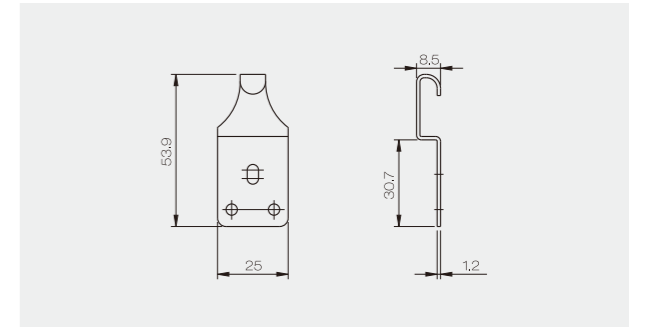
锁钩系列  
Hook Lock Series



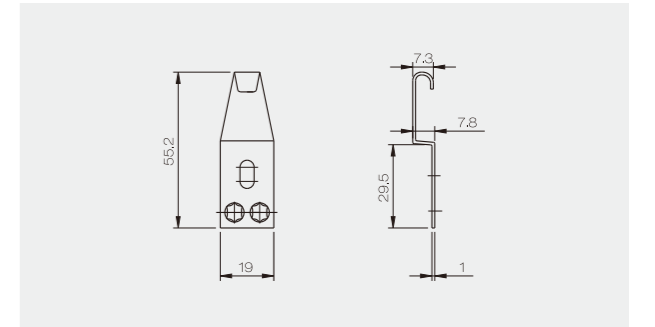
**PSBG05**



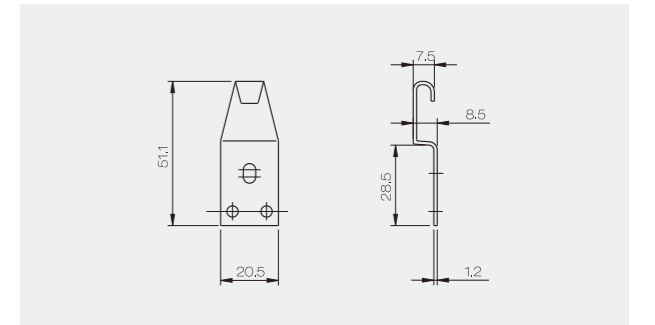
**PSBG06**



**PSBG08**

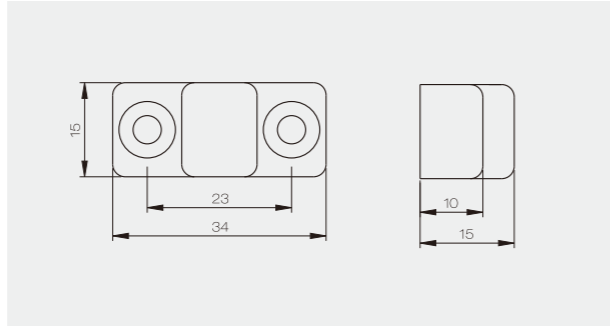


**PSBG09**

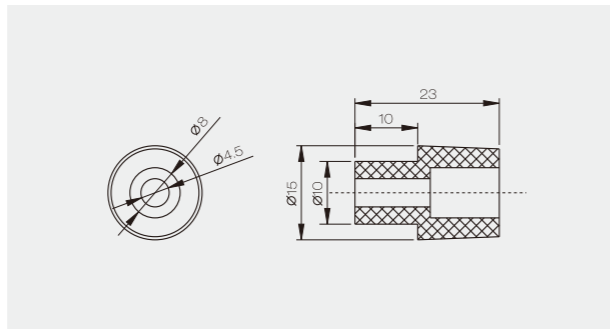


推拉辅件系列  
Other Sliding Accessories

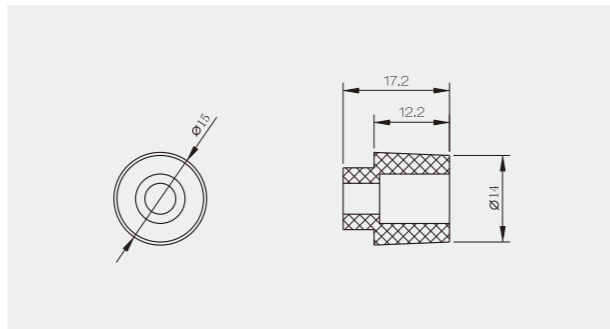
PFK02防撞块



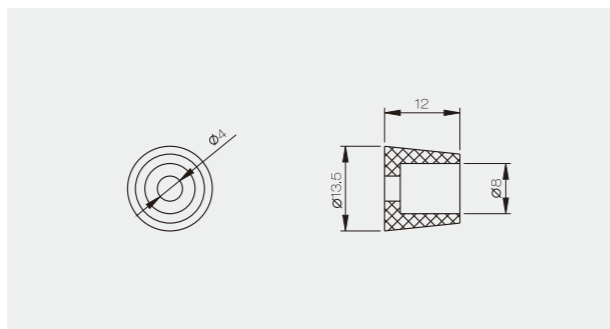
PFK09防撞块



PFK09A防撞块

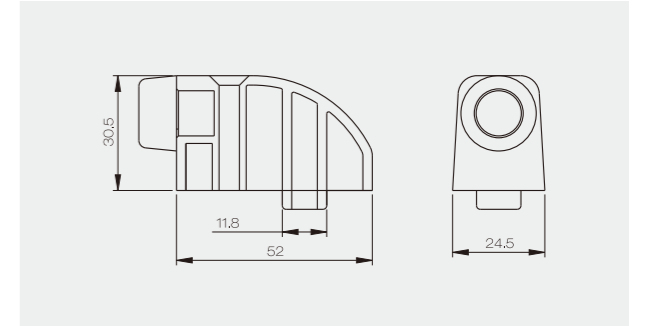


PFK10A防撞块

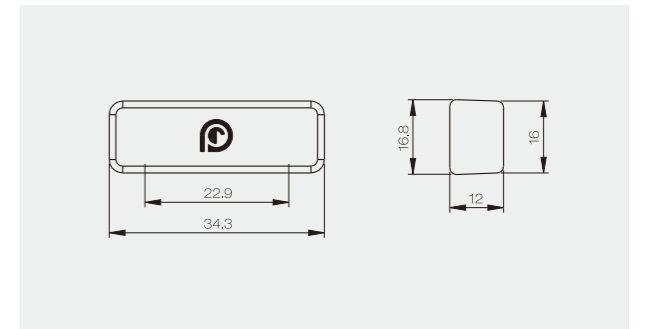


推拉辅件系列  
Other Sliding Accessories

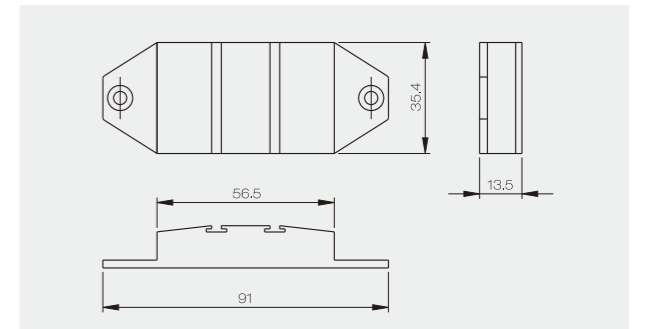
T396+T397防撞块



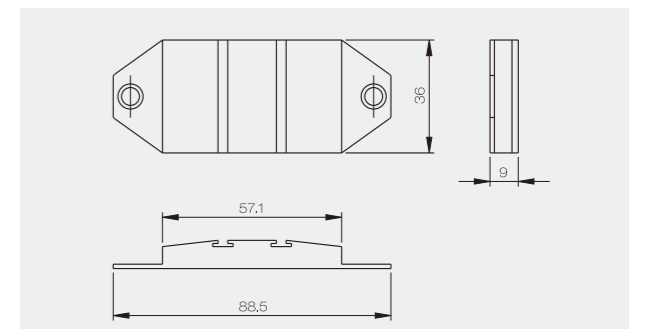
PFK06防提块



PFK07防提块

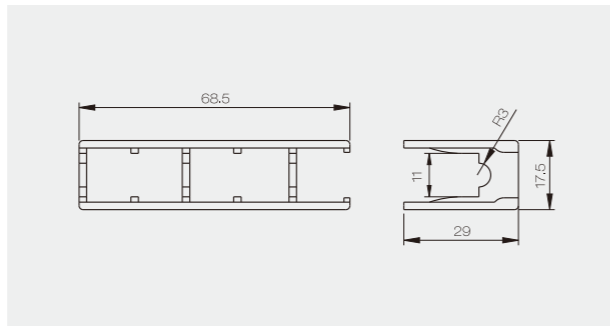


PFK07A防提块

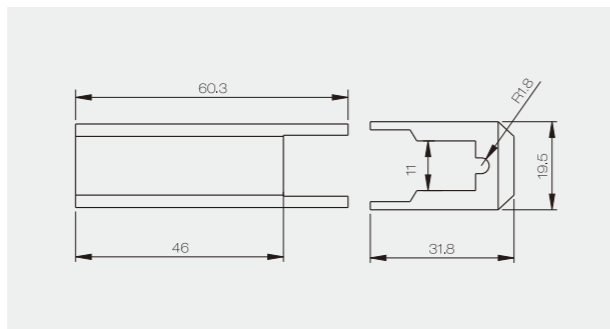


推拉辅件系列  
Other Sliding Accessories

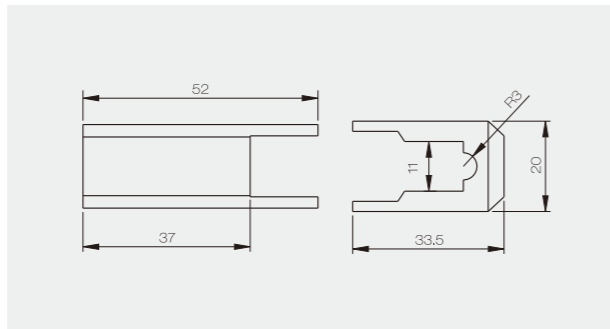
PFK05限位块



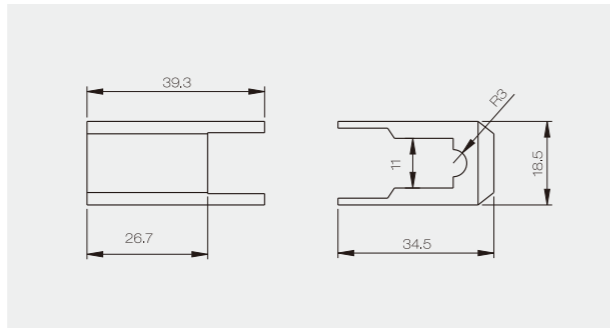
PFK08限位块



PFK08A限位块



PFK08B限位块



Creat Value  
For Construction  
为建筑创造价值



## Roller Series 滑轮

**定义：**由可绕中心轴转动有沟槽的圆盘和跨过圆盘的部件所组成的可以绕着中心轴转动的简单机械叫做滑轮。

**性能指标：**

- 1、执行标准：JG/T129-2017
- 2、一套滑轮按实际承载质量做反复启闭试验,门用滑轮达到100000次,窗用滑轮达到25000次后,轮体能正常滚动,达到试验次数后,在承受1.5倍的承载质量时,启闭力不应大于100N。

**使用范围：**推拉门窗。

**注意事项：**滑轮不能与酸性液体接触。

**Definition:**

Simple machine that can turn around the center shaft.

**Performance index:**

1. Operating standard: JG/T129-2017

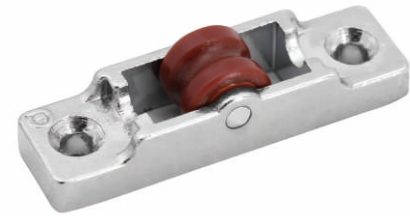
Door rollers work well 100000 times tested with its biggest capacity. Window rollers work well after tests of 25000 times tested with its biggest capacity, when the weight is under 1.5 times, the hoisting capacity of the window rollers is less than 100N.

**Scope of application:** Construction sliding window and indoor sliding door.

**Note:** Rollers can't contact with acidic liquid.

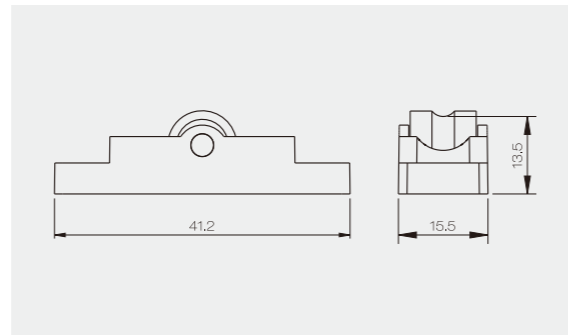
## 单滑轮系列

Single Roller Series



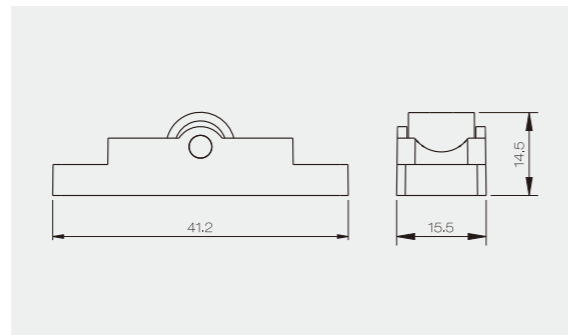
### PLD01B-AS

- 15.5mm 宽单轮 (改性 POM)
- 表面处理: 镀铬
- 窗用: 承重 40kg/2 只
- 15.5mm width single roller(Reformative POM)
- Finish: Chrome
- Used for window, max loading:40kg/pair



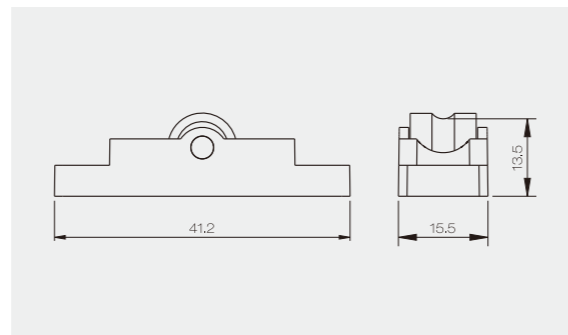
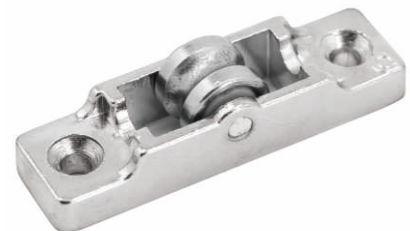
### PLD01B-PS

- 15.5mm 宽单轮 (改性 POM)
- 表面处理: 镀铬
- 窗用: 承重 40kg/2 只
- 15.5mm width single roller(Reformative POM)
- Finish: Chrome
- Used for window, max loading:40kg/pair



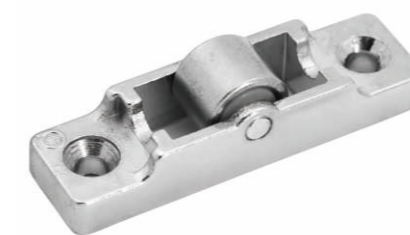
### PLD01-AG

- 15.5mm 宽单轮 (钢轮)
- 表面处理: 镀铬
- 窗用: 承重 40kg/2 只
- 15.5mm width single roller(steel)
- Finish: Chrome
- Used for window, max loading:40pcs/pair



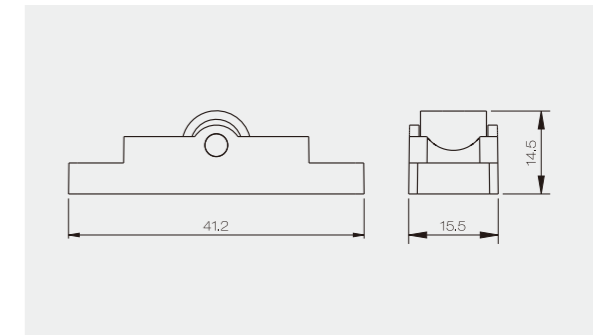
## 单滑轮系列

Single Roller Series



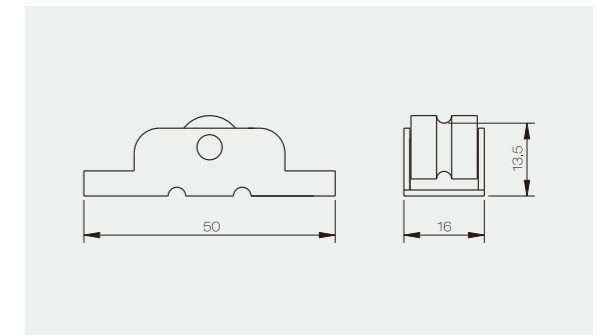
### PLD01-PG

- 15.5mm 宽单轮 (钢轮)
- 表面处理: 镀铬
- 窗用: 承重 40kg/2 只
- 15.5mm width single roller(steel)
- Finish: Chrome
- Used for window, max loading:40pcs/pair



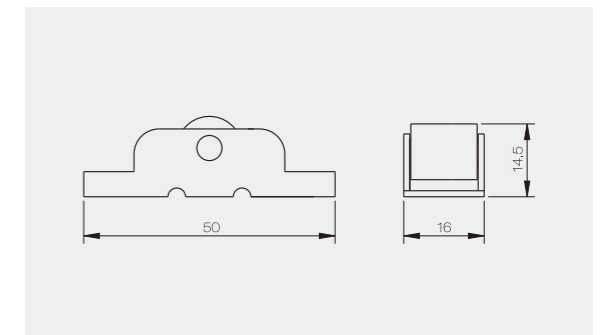
### PLD02B-AS

- 16mm 宽单轮 (改性 POM)
- 表面处理: 430 本色
- 窗用: 承重 35kg/2 只
- 16mm width single roller(Reformative POM)
- Finish: 430 steel nature
- Used for window, max loading:35kg/pair



### PLD02B-PS

- 16mm 宽单轮 (改性 POM)
- 表面处理: 430 本色
- 窗用: 承重 35kg/2 只
- 16mm width single roller(Reformative POM)
- Finish: 430 steel nature
- Used for window, max loading:35kg/pair



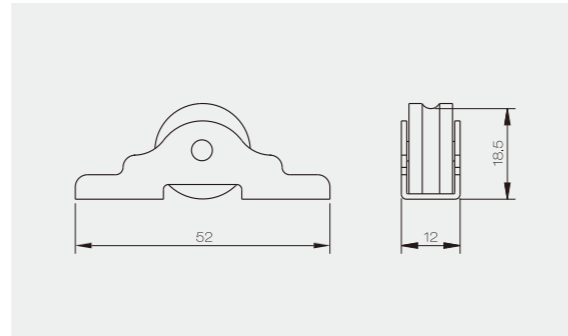


## 单滑轮系列

Single Roller Series

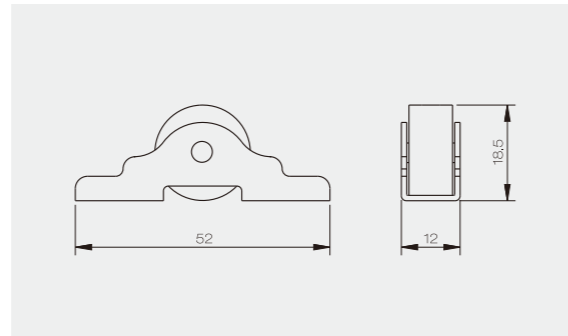
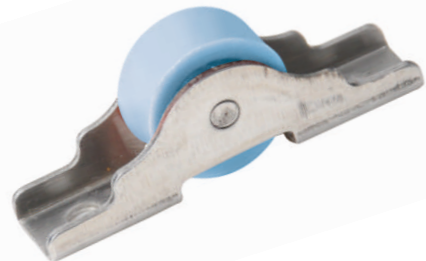
### PLD03-AS

- 16mm 宽单轮 (改性 POM)
- 表面处理: 镀铬
- 窗用: 承重 40kg/2 只
- 16mm width single roller(Reformative POM)
- Finish: Chrome
- Used for window, max loading:40kg/pair



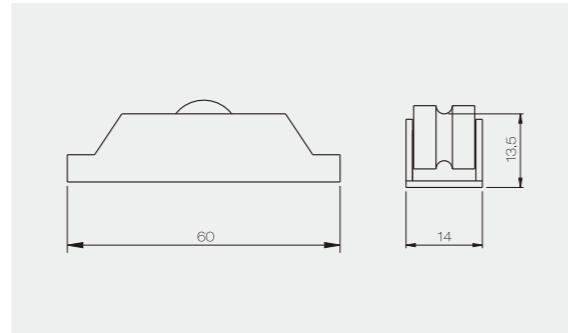
### PLD03-PS

- 16mm 宽单轮 (改性 POM)
- 表面处理: 镀铬
- 窗用: 承重 40kg/2 只
- 16mm width single roller(Reformative POM)
- Finish: Chrome
- Used for window, max loading:40kg/pair



### PLD04-AG

- 14mm 宽单轮 (钢轮)
- 表面处理: 镀铬
- 窗用: 承重 35kg/2 只
- 14mm width single roller(Steel)
- Finish: Chrome
- Used for window, max loading:35kg/pair

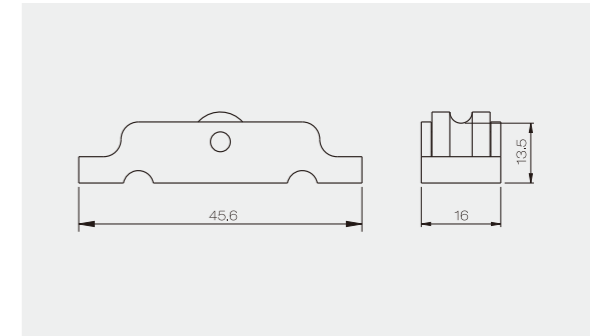


## 单滑轮系列

Single Roller Series

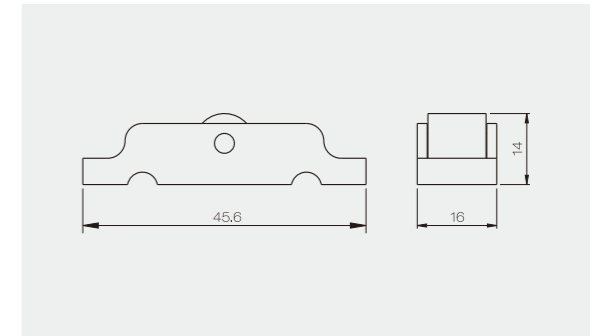
### PLD05-AG

- 16mm 宽单轮 (钢轮)
- 表面处理: 镀铬
- 窗用: 承重 45kg/2 只
- 16mm width single roller(Steel)
- Finish: Chrome
- Used for window, max loading:45kg/pair



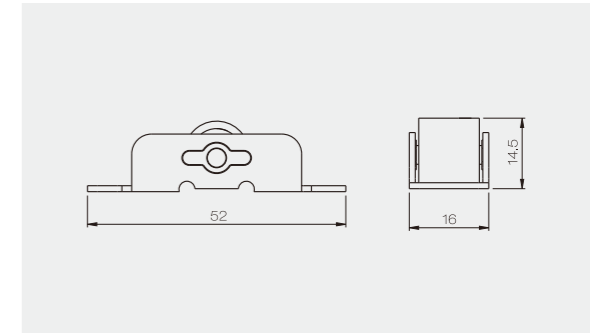
### PLD05-PG

- 16mm 宽单轮 (钢轮)
- 表面处理: 镀铬
- 窗用: 承重 45kg/2 只
- 16mm width single roller(Steel)
- Finish: Chrome
- Used for window, max loading:45kg/pair



### PLD07-PS

- 16mm 宽单轮 (改性 POM)
- 表面处理: 430 本色
- 窗用: 承重 35kg/2 只
- 16mm width single roller(Reformative POM)
- Finish: 430 steel nature
- Used for window, max loading:35kg/pair

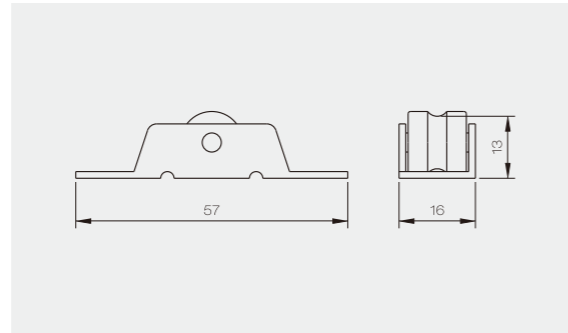


## 单滑轮系列

Single Roller Series

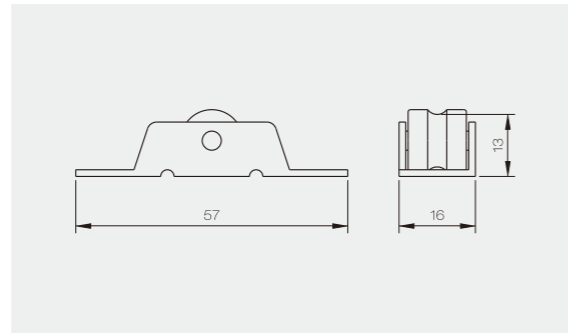
### PLD07A-AS

- 16mm 宽单轮 (改性 POM)
- 表面处理: 钢架镀锌
- 窗用: 承重 30kg/2 只
- 16mm width single roller (Reformative POM)
- Finish: Surface treatment: steel frame galvanized
- Used for window, max loading: 30kg/pair



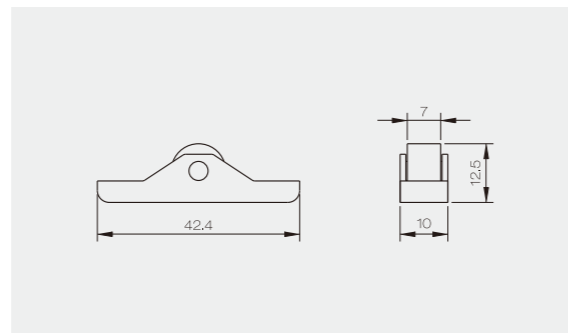
### PLD07B-AS

- 16mm 宽单轮 (改性 POM)
- 表面处理: 430 本色
- 窗用: 承重 30kg/2 只
- 16mm width single roller (Reformative POM)
- Surface treatment: 430 natural color
- Used for window, max loading: 30kg/pair



### PLD08-PS

- 10mm 宽单轮 (改性 POM)
- 表面处理: 430 本色
- 窗用: 承重 20kg/2 只
- 10mm width single roller (Reformative POM)
- Surface treatment: 430 natural color
- Used for window, max loading: 20kg/pair

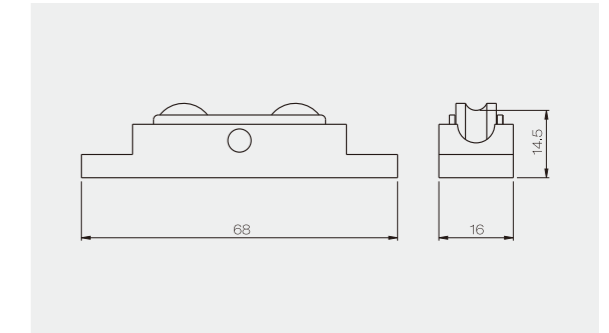


## 双滑轮系列

Double Roller Series

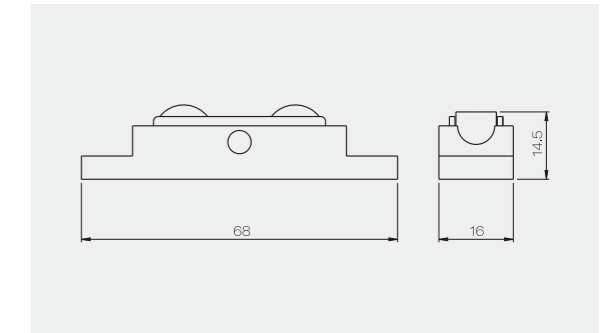
### PLBS01B-AS

- 16mm 宽双轮 (改性 POM)
- 表面处理: 环保锌
- 窗用: 承重 60kg/2 只
- 16mm width double roller (Reformative POM)
- Finish: Plating
- Used for window: 60kg/pair



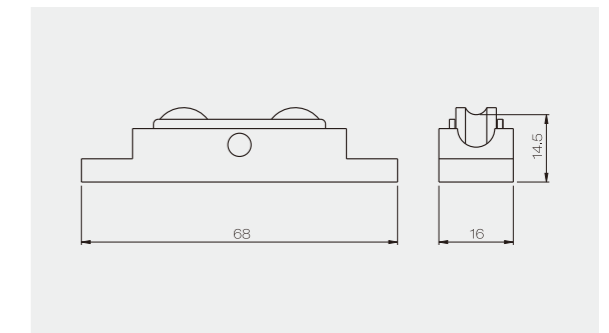
### PLBS01B-PS

- 16mm 宽双轮 (改性 POM)
- 表面处理: 环保锌
- 窗用: 承重 60kg/2 只
- 16mm width double roller (Reformative POM)
- Finish: Plating
- Used for window: 60kg/pair



### PLBS01-AG

- 16mm 宽双轮 (钢轮)
- 表面处理: 镀铬
- 窗用: 承重 45kg/2 只
- 16mm width double roller (steel)
- Finish: Chrome
- Used for window, max loading: 45kg/pair

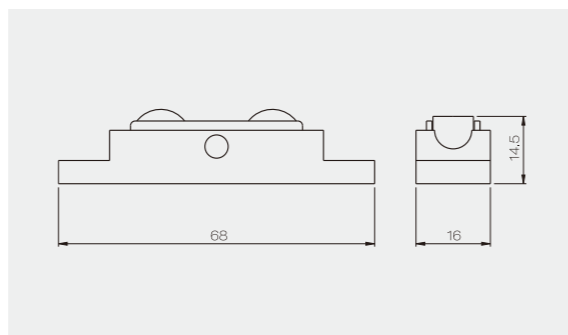


## 双滑轮系列

Doublea Roller Series

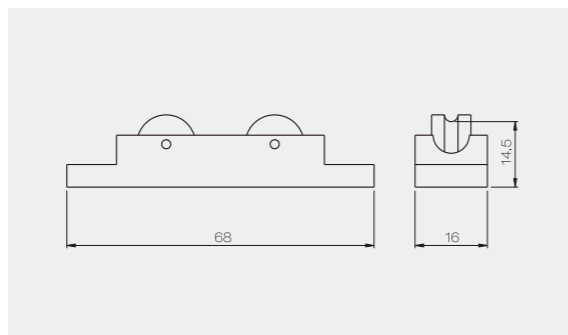
### PLBS01-PG

- 16mm 宽双轮 (钢轮)
- 表面处理: 镀铬
- 窗用: 承重 45kg/2 只
- 16mm width double roller(steel)
- Finish: Chrome
- Used for window, max loading:45kg/pair



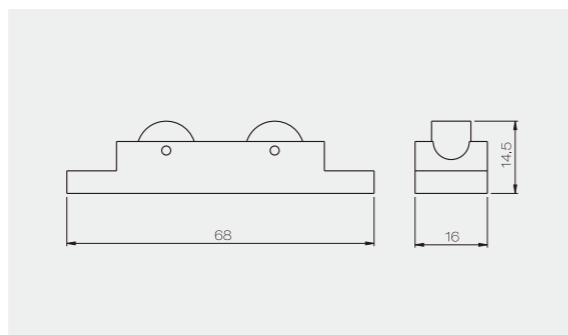
### PLBS02-AS

- 16mm 宽双轮 (改性 POM)
- 表面处理: 镀铬
- 窗用: 承重 45kg/2 只
- 16mm width double roller(Reformative POM)
- Finish: Chrome
- Max loading:45kg/pair



### PLBS02-PS

- 16mm 宽双轮 (改性 POM)
- 表面处理: 镀铬
- 窗用: 承重 45kg/2 只
- 16mm width double roller(Reformative POM)
- Finish: Chrome
- Max loading:45kg/pair

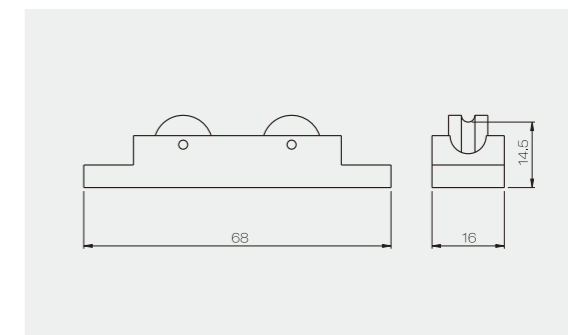


## 双滑轮系列

Doublea Roller Series

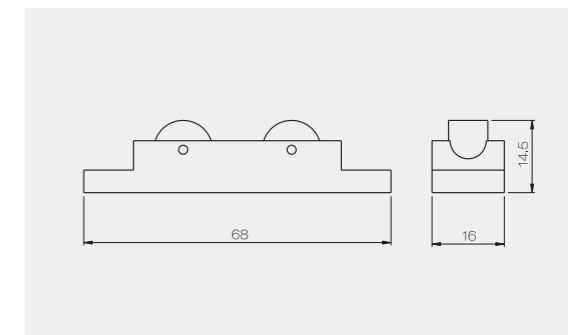
### PLBS02-AG

- 16mm 宽双轮 (钢轮)
- 表面处理: 镀铬
- 窗用: 承重 45kg/2 只
- 16mm width double roller(steel)
- Finish: Chrome
- Max loading:45kg/pair



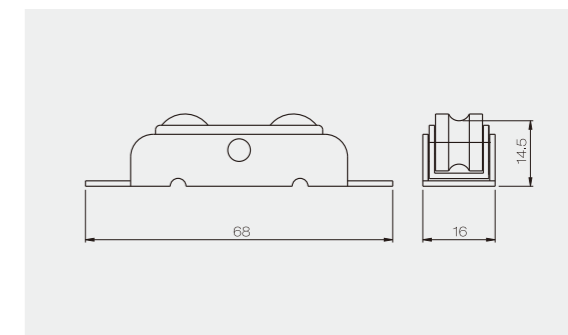
### PLBS02-PG

- 16mm 宽双轮 (钢轮)
- 表面处理: 镀铬
- 窗用: 承重 45kg/2 只
- 16mm width double roller(steel)
- Finish: Chrome
- Max loading:45kg/pair



### PLBS03B-AS

- 16mm 宽双轮 (改性 POM)
- 表面处理: 430 本色
- 窗用: 承重 50kg/2 只
- 16mm width double roller(Reformative POM)
- Finish: 430 nature
- Max loading:50kg/pair

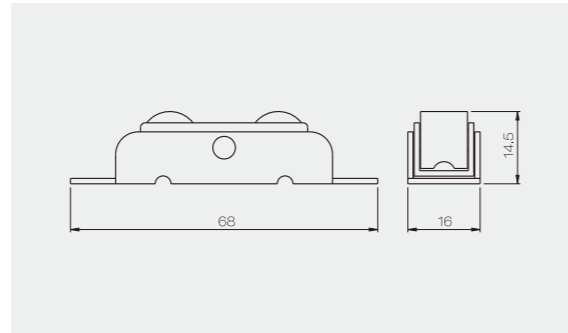


## 双滑轮系列

Doublea Roller Series

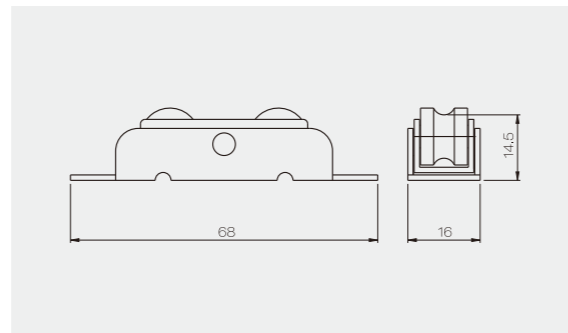
### PLBS03B-PS

- 16mm 宽双轮 (改性 POM)
- 表面处理: 430 本色
- 窗用: 承重 50kg/2 只
- 16mm width double roller (Reformative POM)
- Finish: 430 nature
- Max loading: 50kg/pair



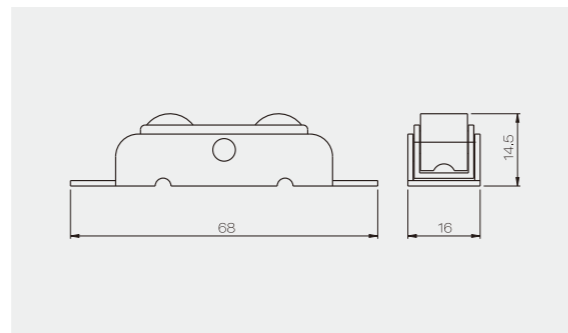
### PLBS03A-AG

- 16mm 宽双轮 (钢轮)
- 表面处理: 430 本色
- 窗用: 承重 45kg/2 只
- 16mm width double roller (steel)
- Finish: 430 nature
- Max loading: 45kg/pair



### PLBS03A-PG

- 16mm 宽双轮 (钢轮)
- 表面处理: 430 本色
- 窗用: 承重 45kg/2 只
- 16mm width double roller (steel)
- Finish: 430 nature
- Max loading: 45kg/pair

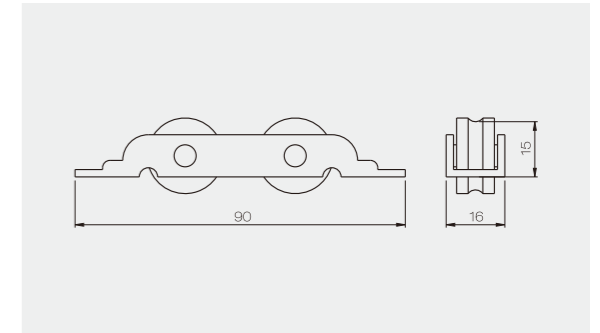


## 双滑轮系列

Doublea Roller Series

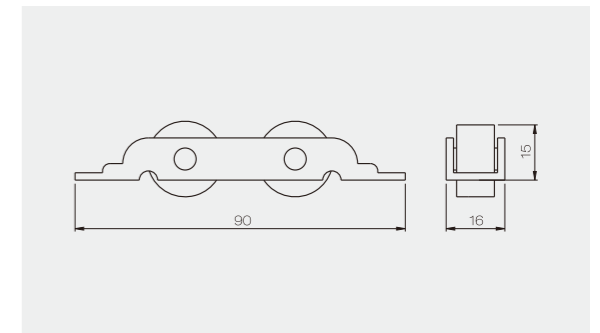
### PLBS04-AS

- 16mm 宽双轮 (改性 POM)
- 表面处理: Q235 镀铬
- 门用: 承重 90kg/2 只
- 16mm width double roller (Reformative POM)
- Finish: Q235 Chrome
- Max loading: 90kg/pair



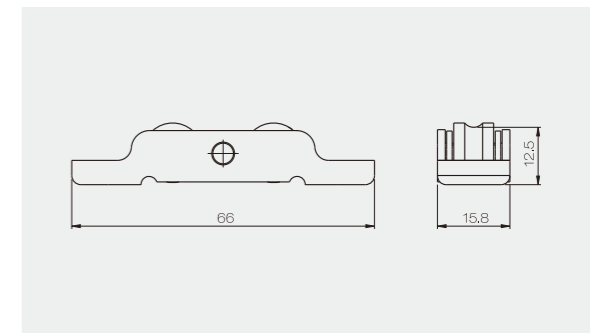
### PLBS04-PS

- 16mm 宽双轮 (改性 POM)
- 表面处理: Q235 镀铬
- 门用: 承重 90kg/2 只
- 16mm width double roller (Reformative POM)
- Finish: Q235 Chrome
- Max loading: 90kg/pair



### PLBS05-AG

- 15.8mm 宽双轮 (钢轮)
- 表面处理: Q235 镀铬
- 窗用: 承重 45kg/2 只
- 15.8mm width double roller
- Finish: Q235 Chrome
- Max loading: 45kg/pair

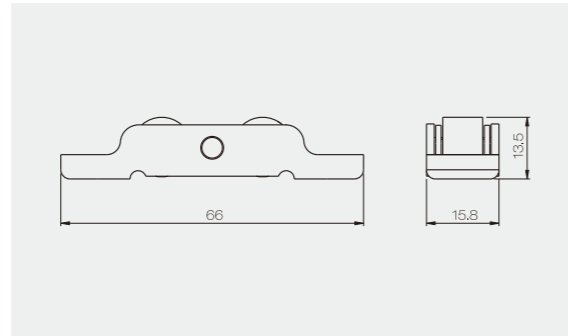


## 双滑轮系列

Doublea Roller Series

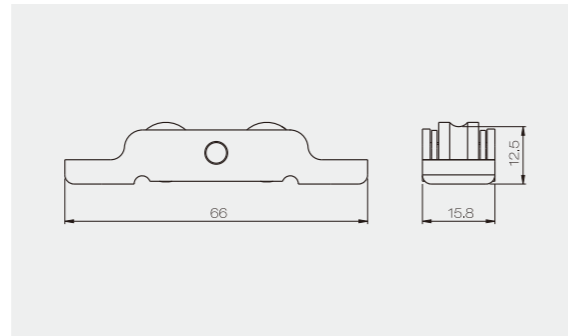
### PLBS05-PG

- 15.8mm 宽双轮 (钢轮)
- 表面处理: Q235 镀铬
- 窗用: 承重 45kg/2 只
- 15.8mm width double roller
- Finish: Q235 Chrome
- Max loading: 45kg/pair



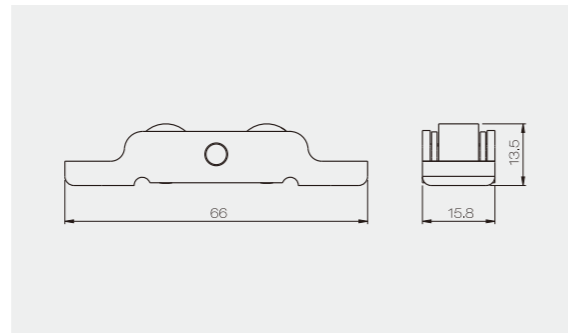
### PLBS05A-AS

- 15.8mm 宽双轮 (改性 POM)
- 表面处理: Q235 镀铬
- 窗用: 承重 45kg/2 只
- 15.8mm width double roller (Reformative POM)
- Finish: Q235 Chrome
- Max loading: 45kg/pair



### PLBS05A-PS

- 15.8mm 宽双轮 (改性 POM)
- 表面处理: Q235 镀铬
- 窗用: 承重 45kg/2 只
- 15.8mm width double roller (Reformative POM)
- Finish: Q235 Chrome
- Max loading: 45kg/pair

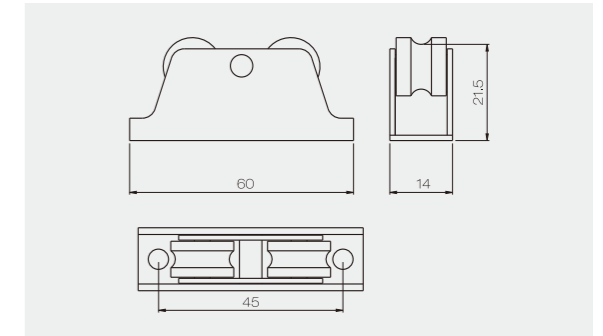


## 双滑轮系列

Doublea Roller Series

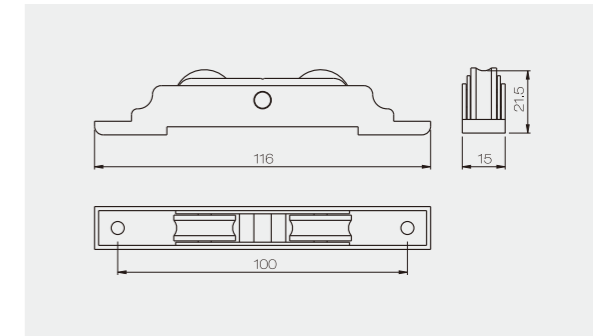
### PLBS06-AG

- 14mm 宽双轮 (钢轮)
- 表面处理: Q235 镀铬
- 窗用: 承重 45kg/2 只
- 14mm width double roller (Steel)
- Finish: Q235 Chrome
- Max loading: 45kg/pair



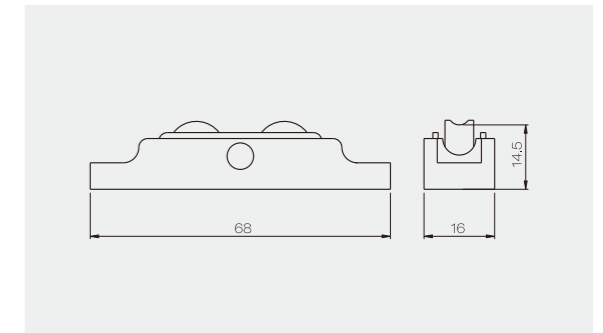
### PLBS07-AS

- 15mm 宽双轮 (改性 POM)
- 表面处理: 430 本色
- 门用: 承重 70kg/2 只
- 15mm width double roller (Reformative POM)
- Finish: 430 nature
- Max loading: 70kg/pair



### PLBS08-AG

- 16mm 宽双轮 (钢轮)
- 表面处理: 镀铬
- 窗 / 轻型门用: 承重 60kg/2 只
- 16mm width double roller (Steel)
- Finish: Chrome
- Max loading: 60/kg pair

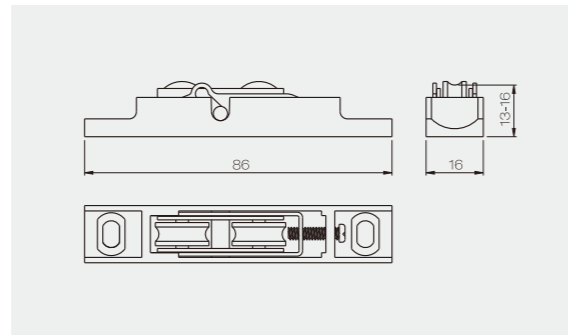


## 双滑轮系列

Doublea Roller Series

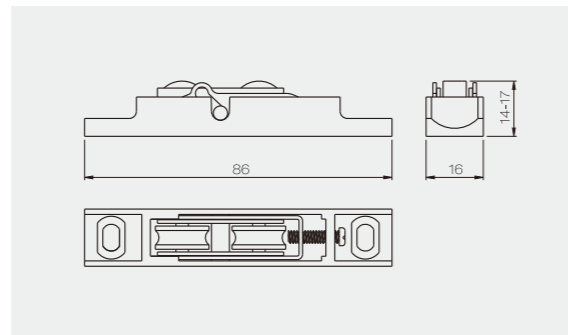
### PLTS01-AS

- 16mm 宽可调节双轮
- 表面处理: 镀铬
- 窗用: 承重 45kg/2 只
- 16mm width adjustable double roller
- Finish: Chrome
- Max loading: 45kg/pair



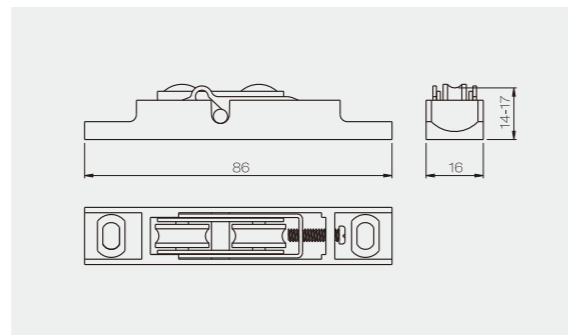
### PLTS01-PS

- 16mm 宽可调节双轮 (改性 POM)
- 表面处理: 镀铬
- 窗用: 承重 45kg/2 只
- 16mm width adjustable double roller (Reformative POM)
- Finish: Chrome
- Max loading: 45kg/pair



### PLTS01B-AS

- 16mm 宽可调节双轮 (滚针) (改性 POM)
- 表面处理: 环保锌
- 窗 / 轻型门用: 承重 60kg/2 只
- 16mm width adjustable double roller (Reformative POM)
- Finish: Plating
- Max loading: 60kg/pair

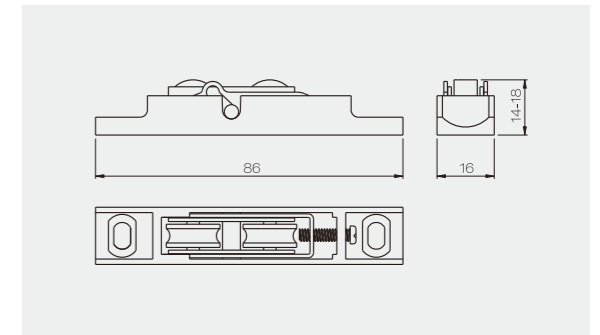


## 双滑轮系列

Doublea Roller Series

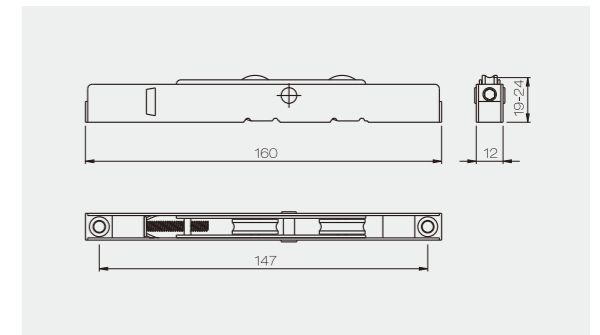
### PLTS01C-AS

- 16mm 宽可调节双轮 (轴承) (改性 POM)
- 表面处理: 环保锌
- 窗 / 轻型门用: 承重 65kg/2 只
- 16mm width adjustable double roller (Reformative POM)
- Finish: Plating
- Max loading: 65kg/pair



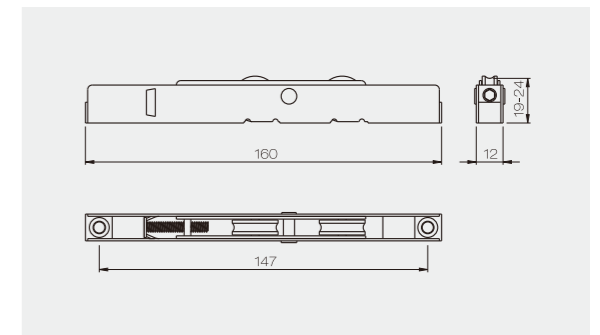
### PLTS02-AS

- 12mm 宽可调节双轮 (改性 POM)
- 表面处理: 镀铬
- 门用: 承重 90kg/2 只
- 12mm width adjustable double roller (Reformative POM)
- Finish: Chrome
- Max loading: 90kg/pair



### PLTS02C-AS

- 12mm 宽可调节双轮 (改性 POM)
- 表面处理: 环保锌
- 门用: 承重 120kg/2 只
- 12mm width adjustable double roller (Reformative POM)
- Finish: Plating
- Max loading: 120kg/pair

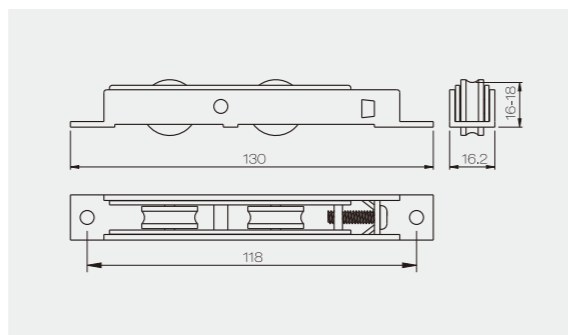


## 双滑轮系列

Double Roller Series

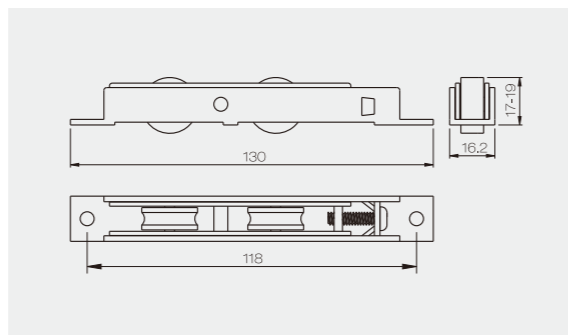
### PLTS03-AS

- 12mm 宽可调节双轮 (改性 POM)
- 表面处理: 镀铬
- 门用: 承重 90kg/2 只
- 12mm width adjustable double roller (Reformative POM)
- Finish: Chrome
- Max loading: 90kg/pair



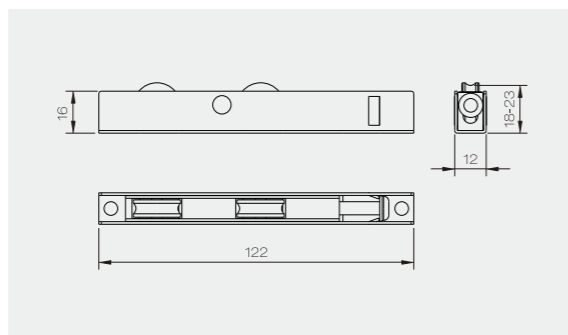
### PLTS03-PS

- 12mm 宽可调节双轮 (改性 POM)
- 表面处理: 镀铬
- 门用: 承重 90kg/2 只
- 12mm width adjustable double roller (Reformative POM)
- Finish: Chrome
- Max loading: 90kg/pair



### PLTS08-AS

- 12mm 宽单轮 (改性 POM)
- 表面处理: Q235 轮架镀锌
- 门用: 承重 70kg/2 只
- 12mm wide single wheel (Reformative POM)
- Finish: Q235 galvanized wheel carrier
- Max loading: 70kg/pair

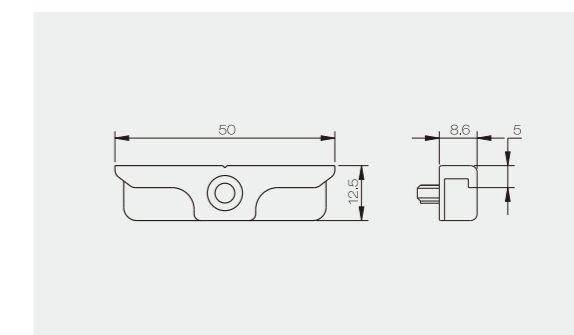


## 平开锁座

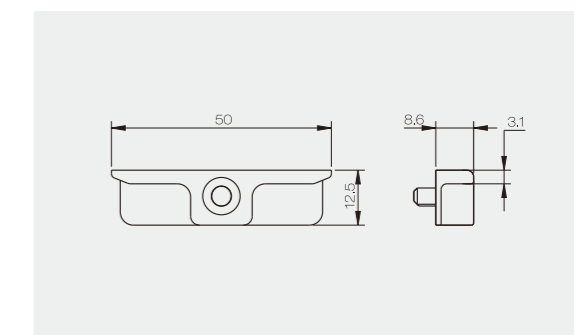
Flat Lock Seat



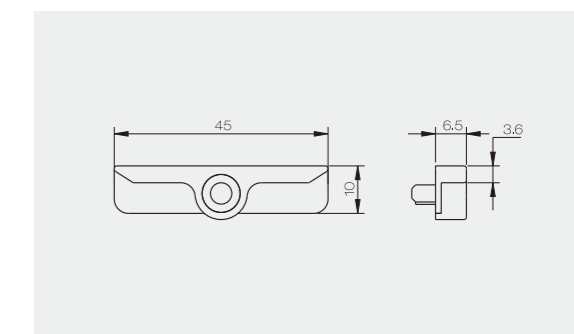
### PCSK01



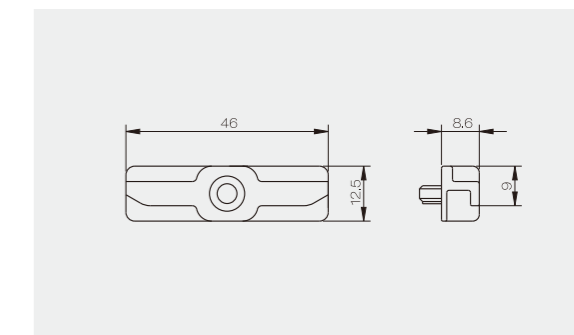
### PCSK01A



### PCSK01B

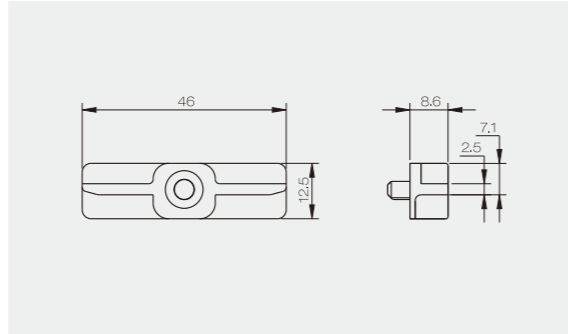
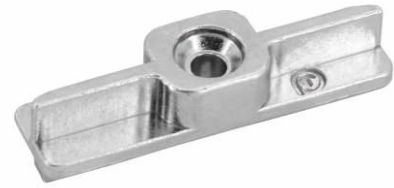


### PCSK02

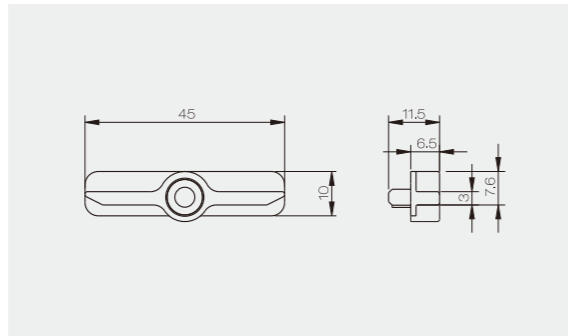
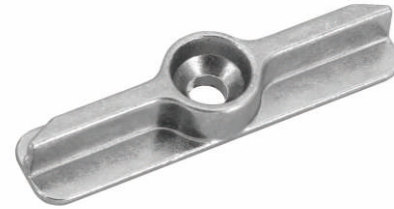


平开锁座  
Flat Lock Seat

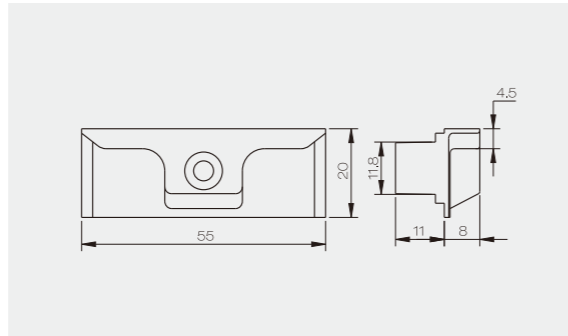
**PCSK02A**



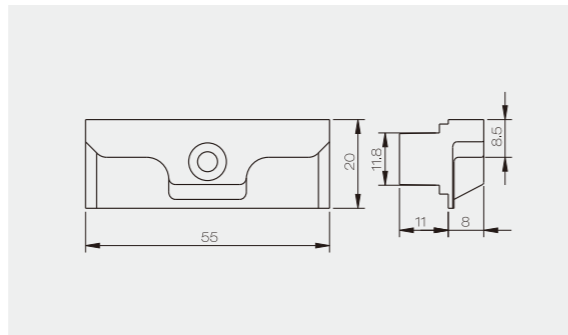
**PCSK02B**



**PCSK03**

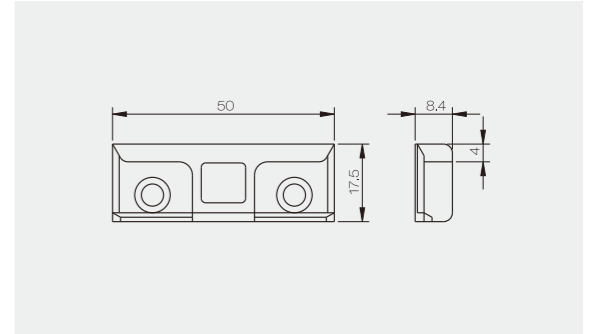
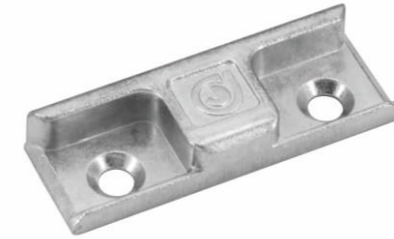


**PCSK04**

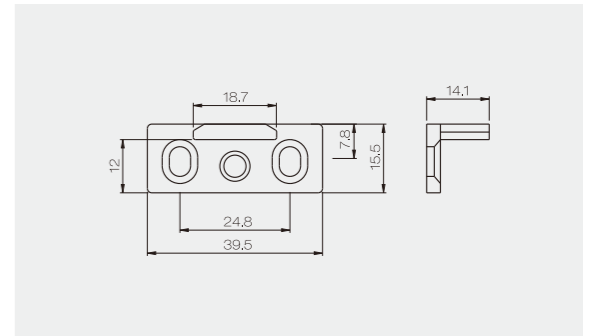


平开锁座  
Flat Lock Seat

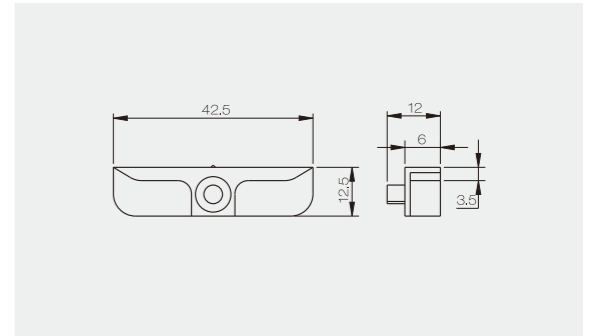
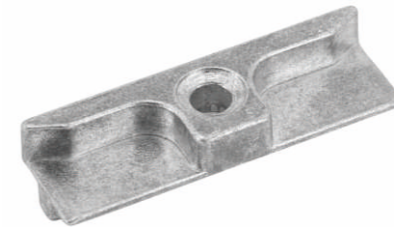
**PCSK05**



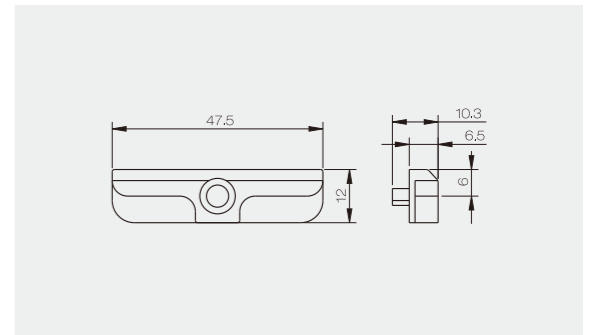
**PCSK06**



**PCSK07**



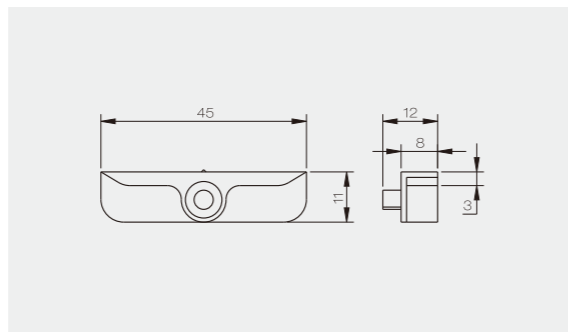
**PCSK08**



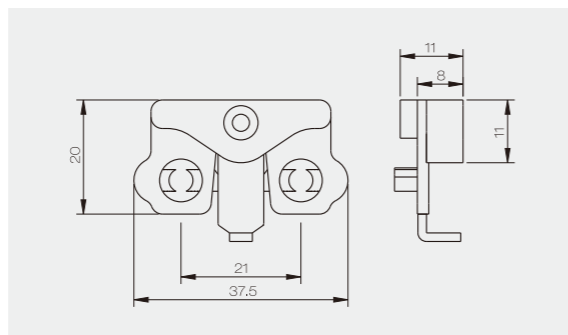


平开锁座  
Flat Lock Seat

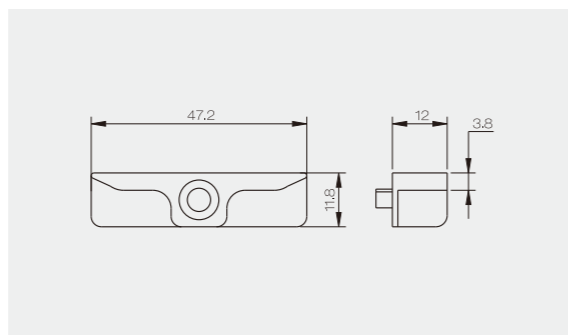
**PCSK09**



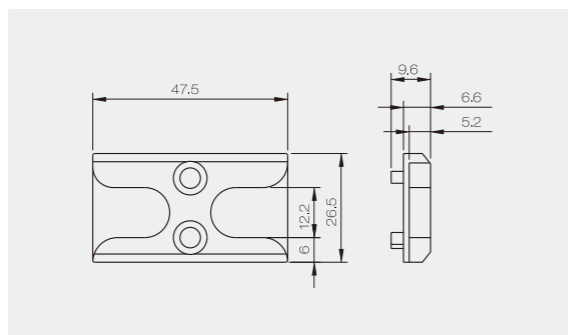
**PCSK10**



**PCSK11**

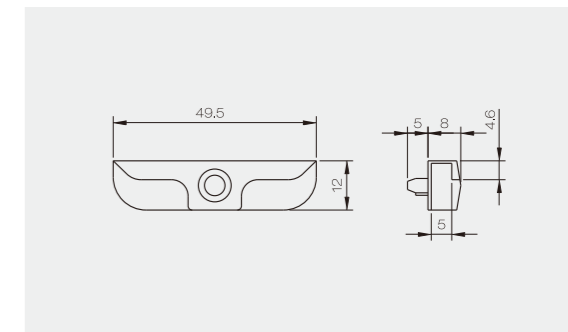


**PCSK12**

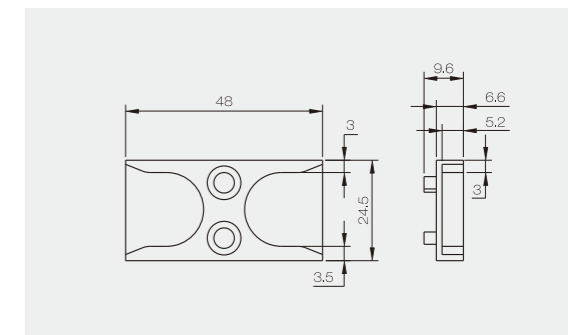


平开/推拉锁座  
Flat open/Push Locking Holder Series

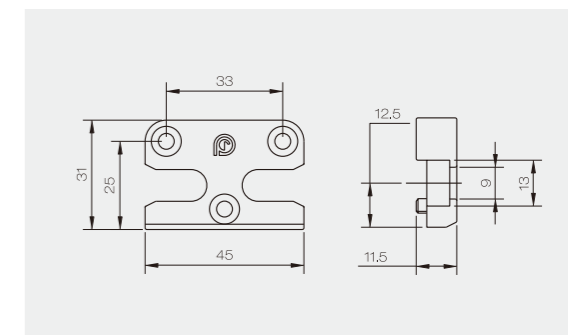
**PCSK13**



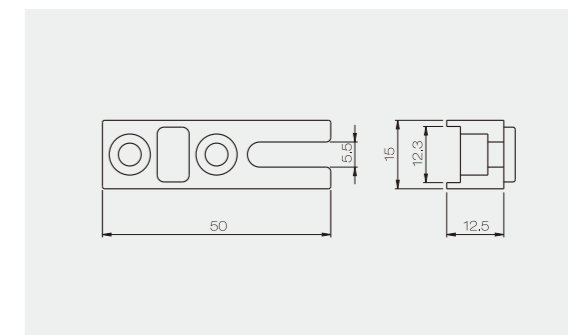
**PCSK14**



**PCSK15**

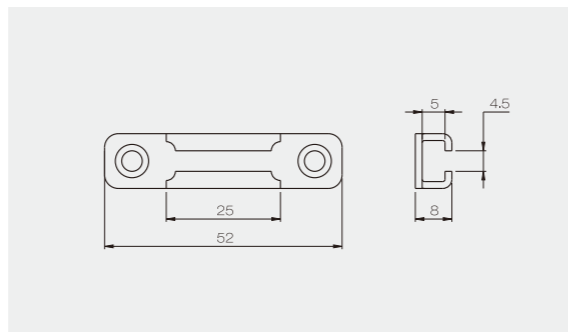


**PCST01**

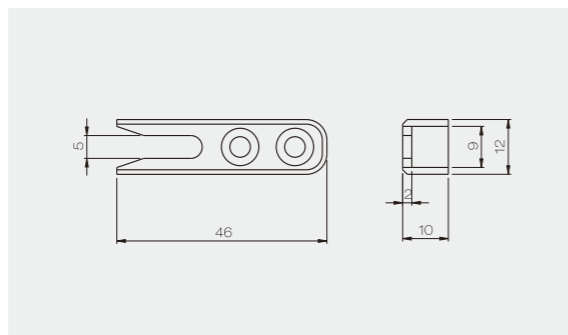


**推拉锁座**  
Push Locking Holder Series

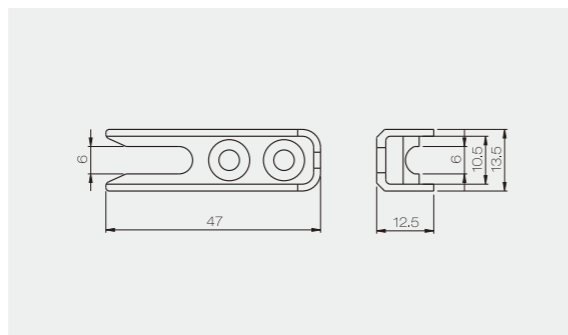
**PCST02**



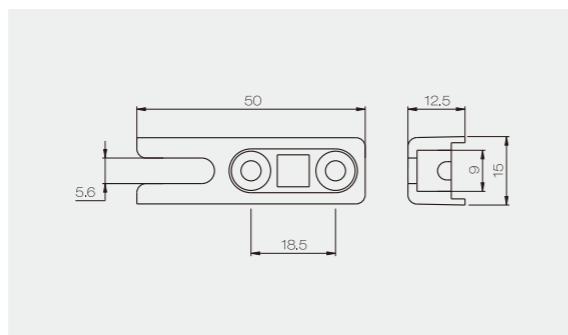
**PCST03**



**PCST04**



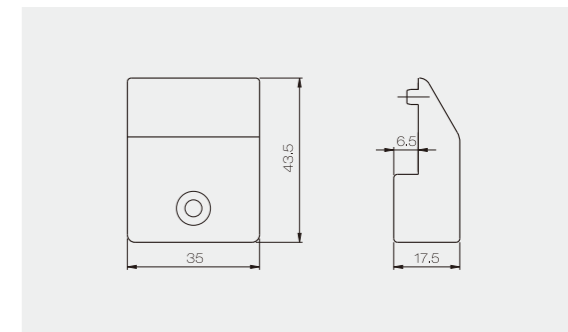
**PCST05**



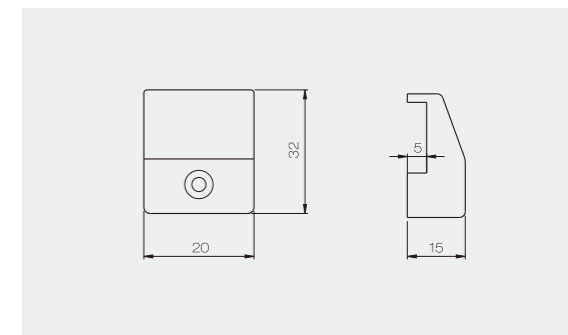
**提升块**  
Elevating Block



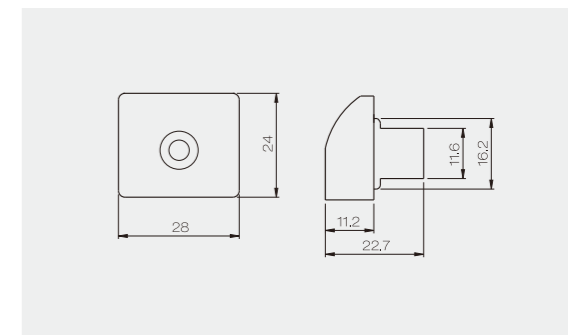
**PFT01**



**PFT02**



**PFT03**



**PFT04**

