

CCTV 《匠心智造》纪录片.卓越名牌公司

匠心
智造



佛山市通润热能科技有限公司

FOSHAN TONGRUN THERMAL ENERGY TECHNOLOGY CO., LTD

→ 企业简介

COMPANY INTRODUCTION

佛山市通润热能科技有限公司（下文简称通润）是一家民办近30年的高新技术企业，致力于研发、制造成套铝材行业的熔铸、挤压、物流和仓储设备，产品广泛应用在军工、航空航天、轨道交通和电子等前沿科技领域；

以通润人《匠心智造》精神，砥砺前行，让世界爱上通润造之铝材智能卓越生产线！

Foshan Tongrun Thermal Energy Technology Co., Ltd. (hereinafter referred to as Tongrun) is a private high-tech enterprise for nearly 30 years. It is committed to R & D and manufacturing complete sets of casting, extrusion, logistics and storage equipment for aluminum industry. Its products are widely used in military, aerospace, rail transit, electronics and other cutting-edge technology fields;

With the spirit of Tongrun people's "craftsman's mind" to forge ahead, let the world fall in love with Tongrun aluminum intelligent excellent production line!

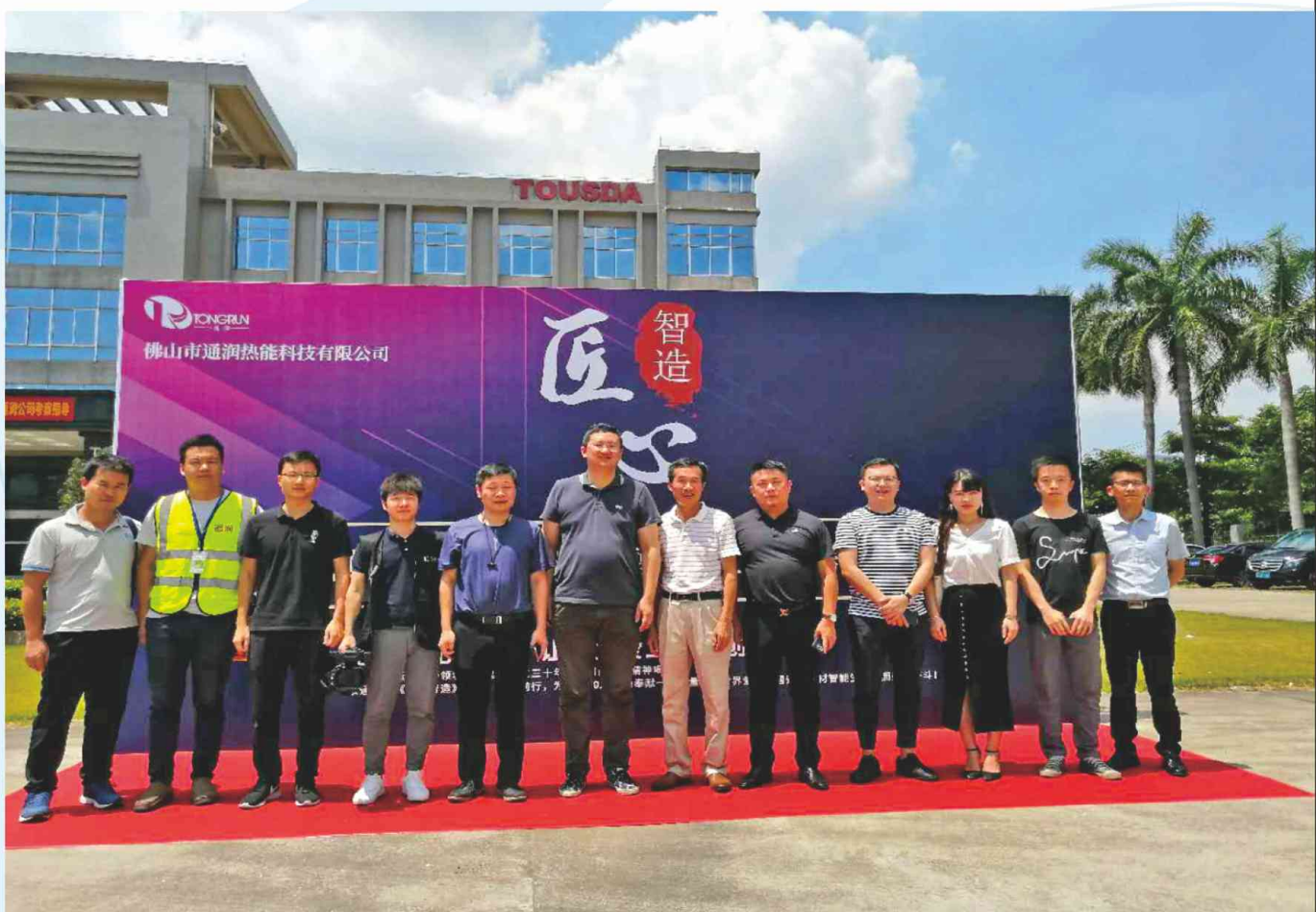


通润设计制造的200MN和235MN挤压生产线设备是世界最大机型，为国家和世界高端高铁及航空航天等应用，贡献了自己的一份力量。

通润以近30年的坚守与工匠精神，砥砺前行，创新发展，成为CCTV《匠心智造》栏目卓越名牌公司，党媒背书企业。

Tongrun has designed and manufactured 200mN and 235mn extrusion production line equipment, which is the world's largest model, and has contributed to the national and world's high-end high-speed rail and aerospace applications.

With nearly 30 years of persistence and craftsmanship spirit, Tongrun has forged ahead, innovated and developed into an outstanding famous brand company and party media endorsement enterprise of CCTV "craftsman's mind".



通润匠心智造，让世界爱上通润创！
Tongrun, with ingenuity and wisdom, makes the world fall in love with Tongrun!

Manufacturing Equipments

制造设备





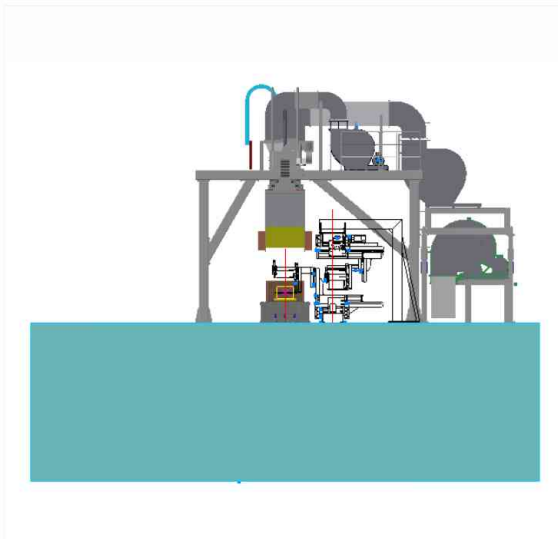
自动挤压生产线

Automatic aluminum extrusion line

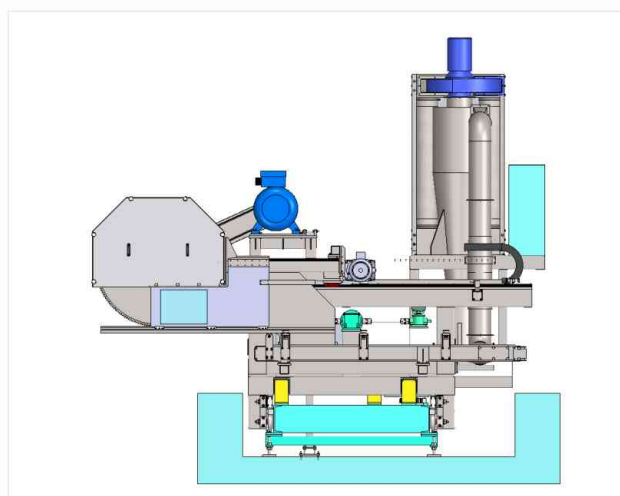
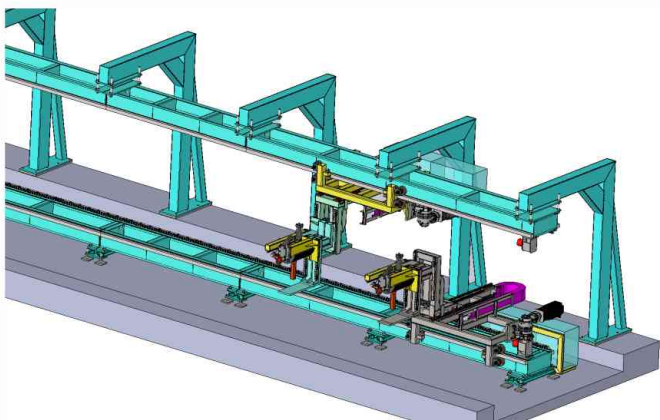
通润公司三十年来设计制造产品，已经覆盖了铝棒熔铸厂、挤压厂和仓库的所有自动化设备。为客户提供世界高端的集中铝棒熔铸、挤压、仓存、物流高效的数据化智能化自动化环保节能生产线系统。

In the past 30 years, Tongrun company has designed and manufactured products, covering all automation equipment in aluminum rod melting and casting plant, extrusion plant and warehouse. To provide customers with the world's high-end centralized aluminum rod casting, extrusion, storage, logistics efficient data intelligent automation, environmental protection and energy-saving production line system.

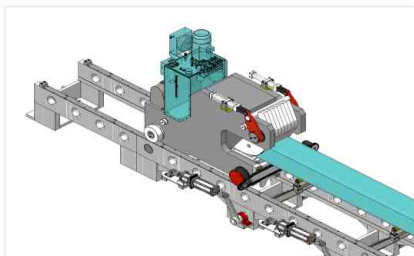
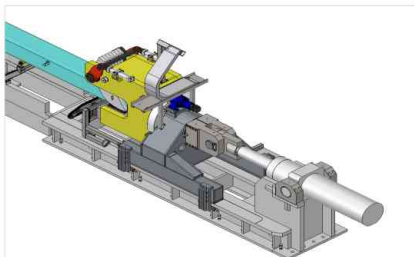
► **自动挤压生产线：智能淬火系统**
Automatic aluminum extrusion line: Smart quench system



► **自动挤压生产线：三头智能飞锯牵引机**
Automatic aluminum extrusion line: Smart triple head puller



▶ **自动挤压生产线：全自动拉直机**
Automatic aluminum extrusion line: Automatic stretcher



▶ **自动挤压生产线：全自动成品锯**
Automatic aluminum extrusion line: Automatic final saw



▶ **自动挤压生产线：自动料框系统**
Automatic aluminum extrusion line: Automatic basket system



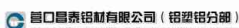


感恩 通润重要客户

GRATITUDE TO
IMPORTANT CUSTOMERS
OF TONGRUN

排序不分先后
THE ORDER IS NOT IN ORDER







→ 感恩·通润重要客户

GRATITUDE TO IMPORTANT CUSTOMERS OF TONGRUN

越南（红河铝业）

广东省南海铝材厂

湖北幸福铝材有限公司

仪征海天铝业有限公司

广东华昌铝厂有限公司

广东建达铝业有限公司

浙江华大铝镁业有限公司

台澳铝业（台山）有限公司

湖北齐力华盛铝业有限公司

慈溪市宜美佳电器有限公司

南方铝业（中国）有限公司

昆明新迎铝型材厂有限公司

天津锐新电子热传技术有限公司





感恩·共赢

公司总部

地址：广东省佛山市三水区乐平镇新城南路3号

PHONE: 135 1662 3910 / +86 757 87363186

FAX: +86 757 87363189

EMAIL: chenbizhi001@163.com